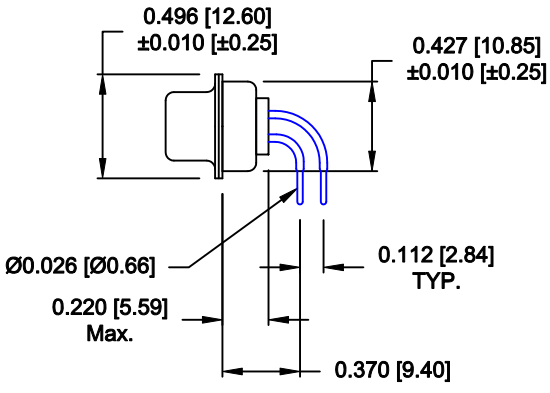
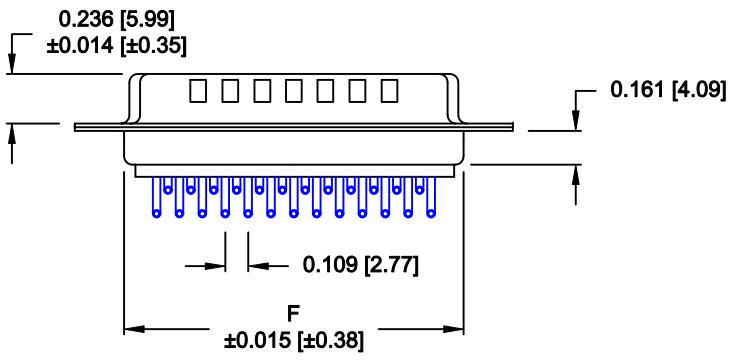
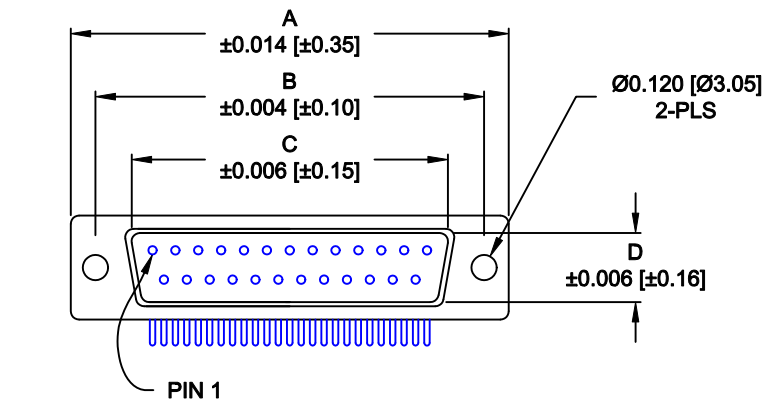


DESCRIPTION: MALE - 0.370 RIGHT ANGLE - MACHINED - ECONOMY

		DIMENSIONS							
No. OF PINS		A	B	C	D	E	F	G	H
9		1.213	0.984	0.666	0.329	0.236	0.756	0.496	0.427
		30.80	24.99	16.92	8.36	5.99	19.20	12.60	10.85
15		1.541	1.312	0.994	0.329	0.236	1.091	0.496	0.427
		39.15	33.32	25.25	8.36	5.99	27.70	12.60	10.85
25		2.087	1.852	1.534	0.329	0.236	1.618	0.496	0.427
		53.00	47.04	38.96	8.36	5.99	41.10	12.60	10.85



774-EYY-1 1 3 R YY 1

SERIES _____
 POSITIONS _____
 E09 _____
 E15 _____
 E25 _____
 GENDER _____
 1 = MALE
 TERMINATION _____
 1 = THROUGH HOLE
 SHELL PLATING _____
 3 = NICKEL (GROUND INDENTS)
 RoHS COMPLIANT _____
 HARDWARE OPTIONS _____
 00 = NO HARDWARE
 01 = .065" CLINCH NUT (BOARD SIDE)
 14 = SHORT BRACKET WITH 4-40 SCREW LOCK
 46 = BRACKET WITH 4-40 INSERT & BOARDLOCK
 PLATING OPTIONS _____
 1 = GOLD FLASH
 2 = 30 MICRO-INCH GOLD

MEETS IP67 STANDARDS
 (SEE PAGE 3 FOR SEALING DETAILS)

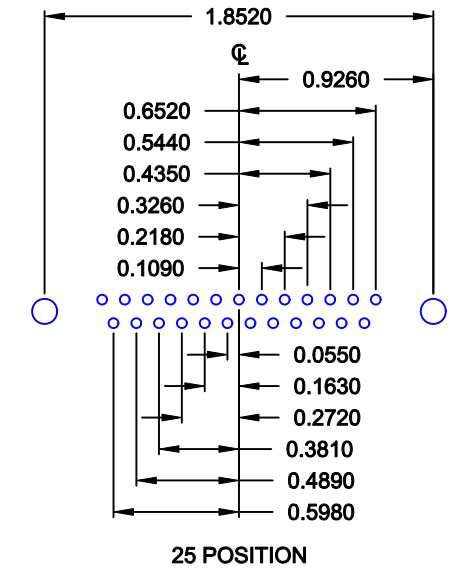
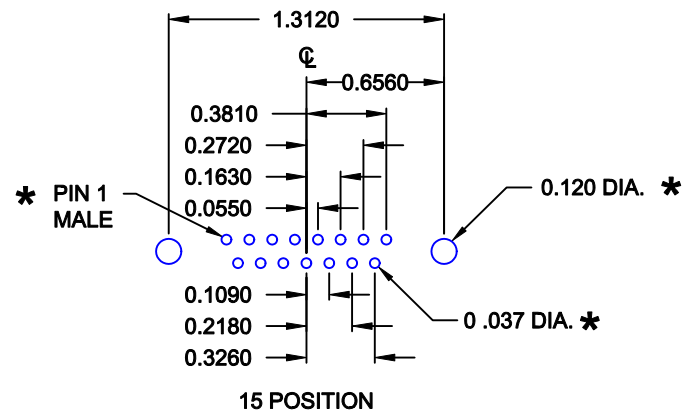
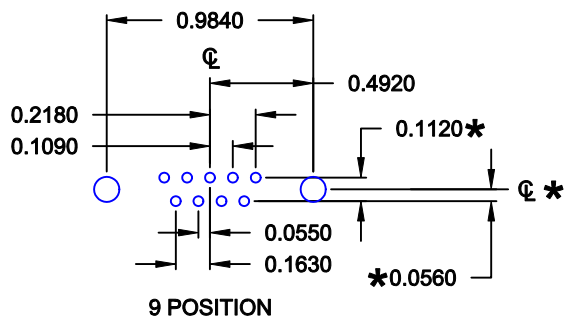
MATERIAL:
 SHELL: STEEL, NICKEL PLATED
 INSULATOR: UL 94V-O RATED, WHITE PA6T
 PROCESS TEMP.: 260° C
 CONTACT: BRASS
 SEALING MATERIAL: F08 FLEXIBLE ADHESIVE

ELECTRICAL:
 CURRENT RATING: 5 AMPS
 CONTACT RESISTANCE: 15 mOhms Max.
 INSULATION RESISTANCE: 1,000 MOhms min.
 VOLTAGE: 500VAC FOR 1 MINUTE
 TEMPERATURE: -50° C TO 100° C

RoHS COMPLIANT

DO NOT SCALE FROM DRAWING

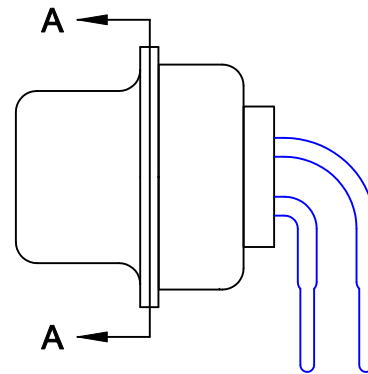
	THESE DRAWINGS AND SPECIFICATIONS ARE THE PROPERTY OF NorComp AND SHALL NOT BE REPRODUCED, COPIED OR USED AS THE BASIS FOR THE MANUFACTURE OF SALE OF APPARATUS WITHOUT WRITTEN PERMISSION.		DRAWN: C. SMITH	DATE: 03-26-09
			CHECKED:	DATE:
NorComp		SCALE: 1 : 1	SHEET 1 OF 4	REV 6
		DWG NO. 774-EYY-113RYY1		



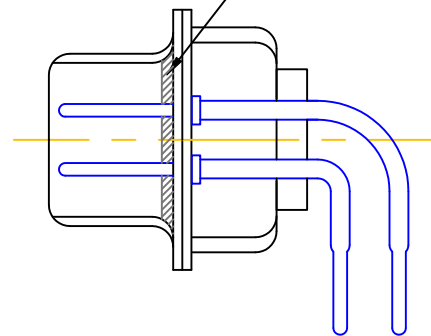
* TYP. ON ALL SIZES
UNLESS NOTED OTHERWISE

DO NOT SCALE FROM DRAWING

	THESE DRAWINGS AND SPECIFICATIONS ARE THE PROPERTY OF NorComp AND SHALL NOT BE REPRODUCED, COPIED OR USED AS THE BASIS FOR THE MANUFACTURE OF SALE OF APPARATUS WITHOUT WRITTEN PERMISSION.		DRAWN: C. SMITH	DATE: 06-10-09
			CHECKED:	DATE:
NorComp		SCALE: 1 : 1	SHEET 2 OF 4	REV 6
		DWG NO. 774-EYY-113RYY1		




FRONT SEAL APPLIED OVER INSULATOR AND BETWEEN FRONT & REAR SHELLS



DETAIL A-A

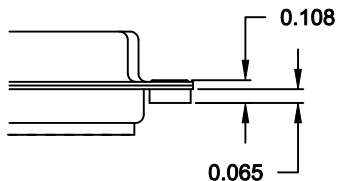
DO NOT SCALE FROM DRAWING

	THESE DRAWINGS AND SPECIFICATIONS ARE THE PROPERTY OF NorComp AND SHALL NOT BE REPRODUCED, COPIED OR USED AS THE BASIS FOR THE MANUFACTURE OF SALE OF APPARATUS WITHOUT WRITTEN PERMISSION.		DRAWN: C. SMITH	DATE: 06-10-09
			CHECKED:	DATE:
<h1>NorComp</h1>		SCALE: 2.5 : 1	SHEET 3 OF 4	REV 6
		DWG NO. 774-EYY-113RYY1		

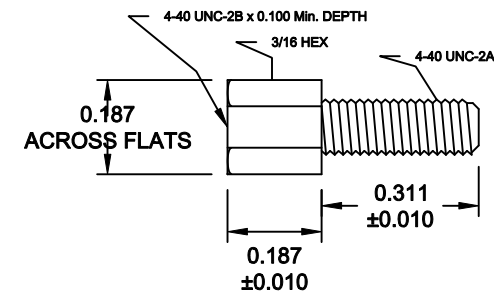
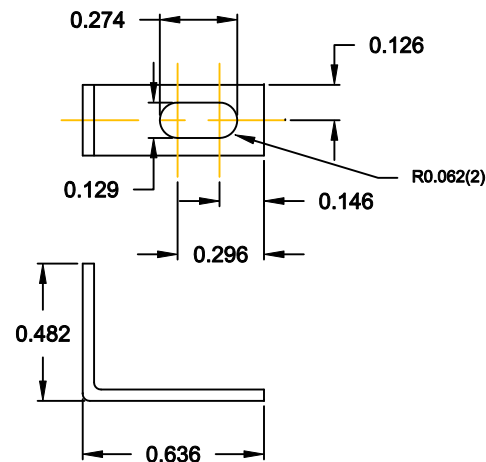
HARDWARE OPTIONS

01 CLINCH NUT OPTION

01X 0.065" (BOARD SIDE) - CN1



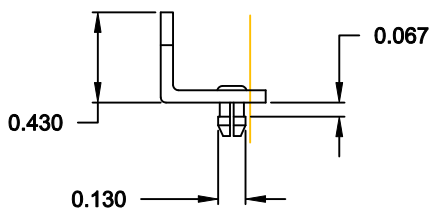
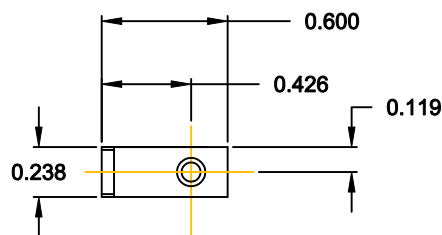
14 = SHORT BRACKET & 4-40 SCREW LOCK



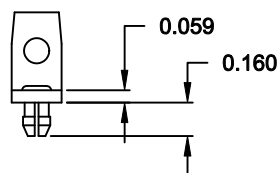
SCREW LOCK

MOUNTING BRACKET

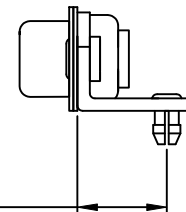
46Y = BRACKET WITH 4-40 INSERT AND BOARDLOCK



MOUNTING BRACKET WITH BOARD LOCK

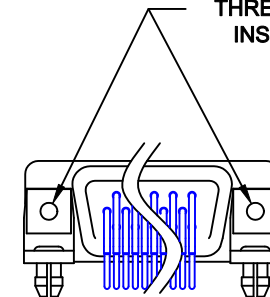


9-37 POSITION CONNECTOR BRACKET



HOLE C/L
0.426

#4-40 THREADED INSERT



BRACKETS MOUNTED ON CONNECTOR DO NOT SCALE FROM DRAWING



THESE DRAWINGS AND SPECIFICATIONS ARE THE PROPERTY OF NorComp AND SHALL NOT BE REPRODUCED, COPIED OR USED AS THE BASIS FOR THE MANUFACTURE OF SALE OF APPARATUS WITHOUT WRITTEN PERMISSION.

DRAWN:
C. SMITH

DATE:
06-10-09

CHECKED:

DATE:

NorComp

SCALE: **2.5 : 1** SHEET **4** OF **4** REV **6**

DWG NO. **774-EYY-113RYY1**

Mouser Electronics

Authorized Distributor

Click to View Pricing, Inventory, Delivery & Lifecycle Information:

[NorComp:](#)

[774-E09-113R001](#) [774-E15-113R001](#) [774-E25-113R001](#) [774-E15-113R141](#) [774-E15-113R011](#) [774-E09-113R141](#)
[774-E09-113R011](#) [774-E25-113R011](#) [774-E25-113R141](#)