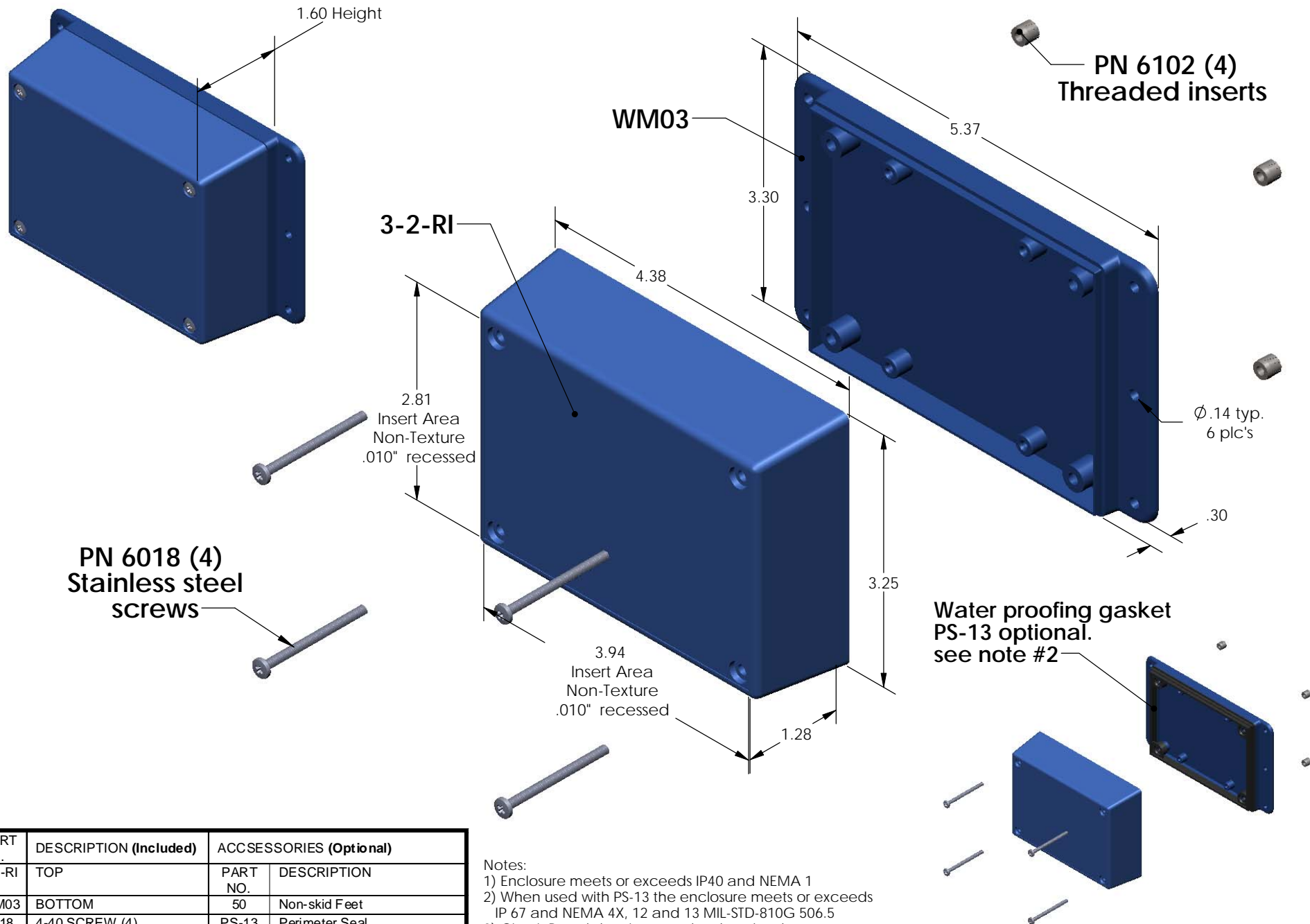


# SERPAC Electronic Enclosures WM032-RI (exploded isometric)



PART NO.	DESCRIPTION (Included)	ACCESSORIES (Optional)	
3-2-RI	TOP	PART NO.	DESCRIPTION
WM03	BOTTOM	50	Non-skid Feet
6018	4-40 SCREW (4)	PS-13	Perimeter Seal
6102	THREADED INSERTS (4)	330	Prototype grid board
		430	Prototype clad board

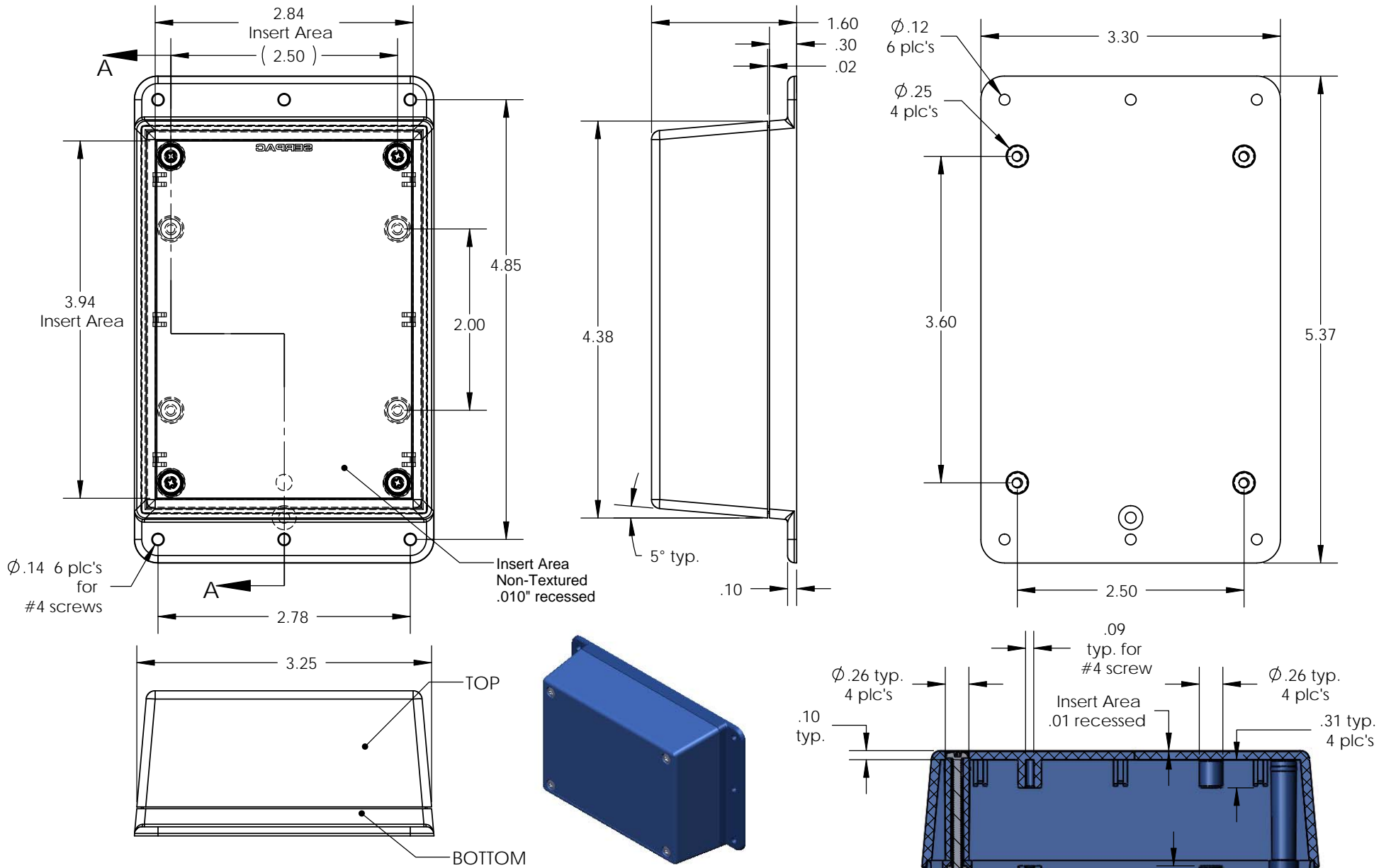
**Notes:**

- 1) Enclosure meets or exceeds IP40 and NEMA 1
- 2) When used with PS-13 the enclosure meets or exceeds IP 67 and NEMA 4X, 12 and 13 MIL-STD-810G 506.5
- 3) Circuit Board drawings can be download at:  
<http://www.serpac.com/Accessories/CircuitBoard/drawings/330-430-cbg.pdf>
- 4) All components are RoHS Compliant.

Water proofing gasket  
 PS-13 optional.  
 see note #2

# SERPAC WM032-RI (user print)

Electronic Enclosures



PART NO.	DESCRIPTION (Included)	ACCESSORIES (Optional)	
		PART NO.	DESCRIPTION
3-2-RI	TOP	50	Non-skid Feet
WM03	BOTTOM	PS-13	Perimeter Seal
6018	4-40 SCREW (4)	330	Prototype grid board
6102	THREADED INSERTS (4)	430	Prototype clad board

**Notes:**

- 1) Enclosure meets or exceeds IP40 and NEMA 1
- 2) When used with PS-13 the enclosure meets or exceeds IP 67 and NEMA 4X, 12 and 13 MIL-STD-810G 506.5
- 3) Circuit Board drawings can be download at:  
<http://www.serpac.com/Accessories/CircuitBoard/drawings/330-430-cbg.pdf>
- 4) All components are RoHS Compliant.

SECTION A-A  
SCALE 1 : 1.5

# Mouser Electronics

Authorized Distributor

Click to View Pricing, Inventory, Delivery & Lifecycle Information:

[SERPAC:](#)

[WM032RI,AL](#) [WM032RI,BK](#) [WM032RI,GY](#) [WM052RI,AL](#) [WM072R,BK](#) [WM072RI,AL](#) [WM072RI,GY](#) [WM032RIAA2](#)  
[BLK](#)