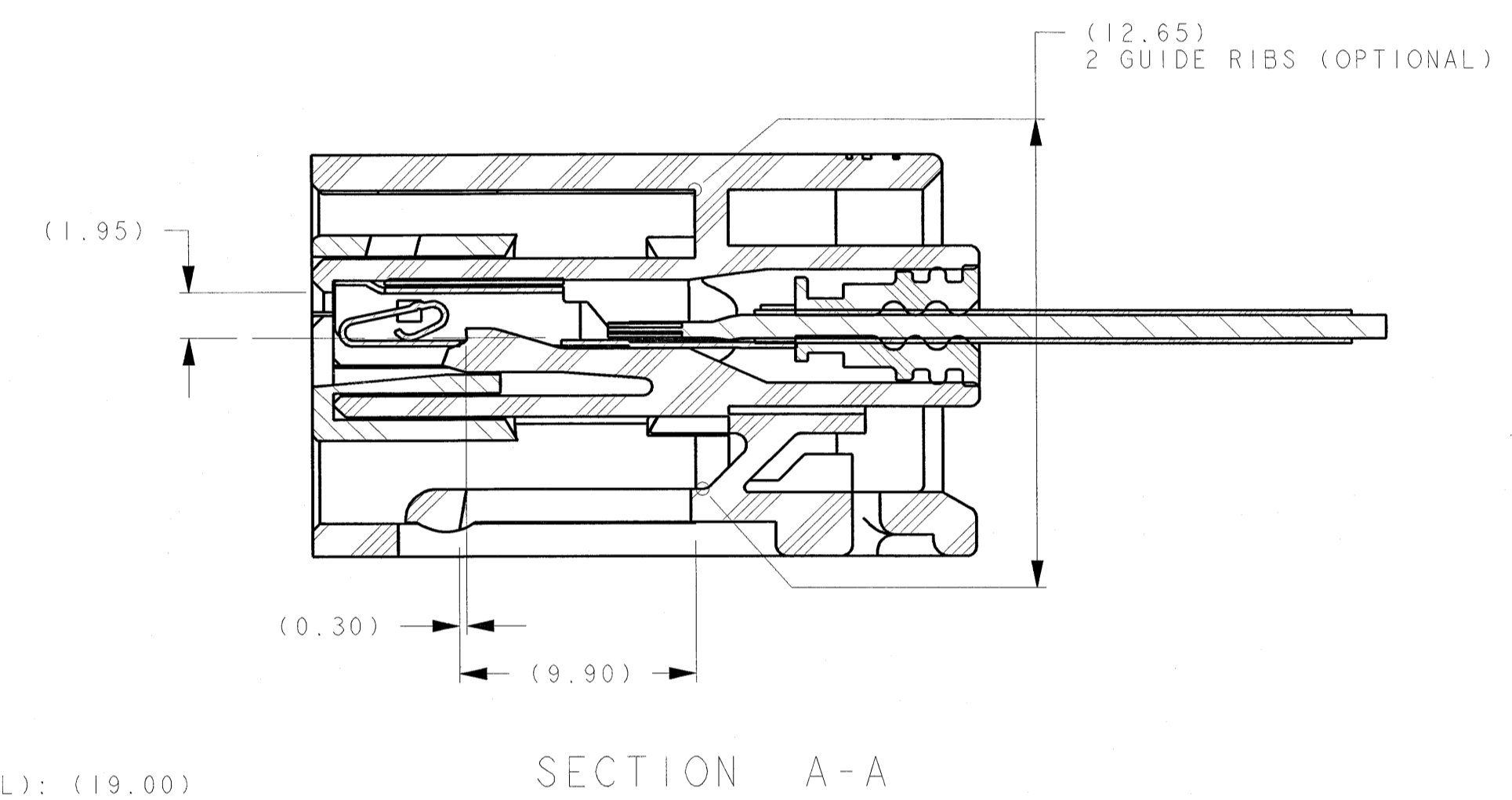
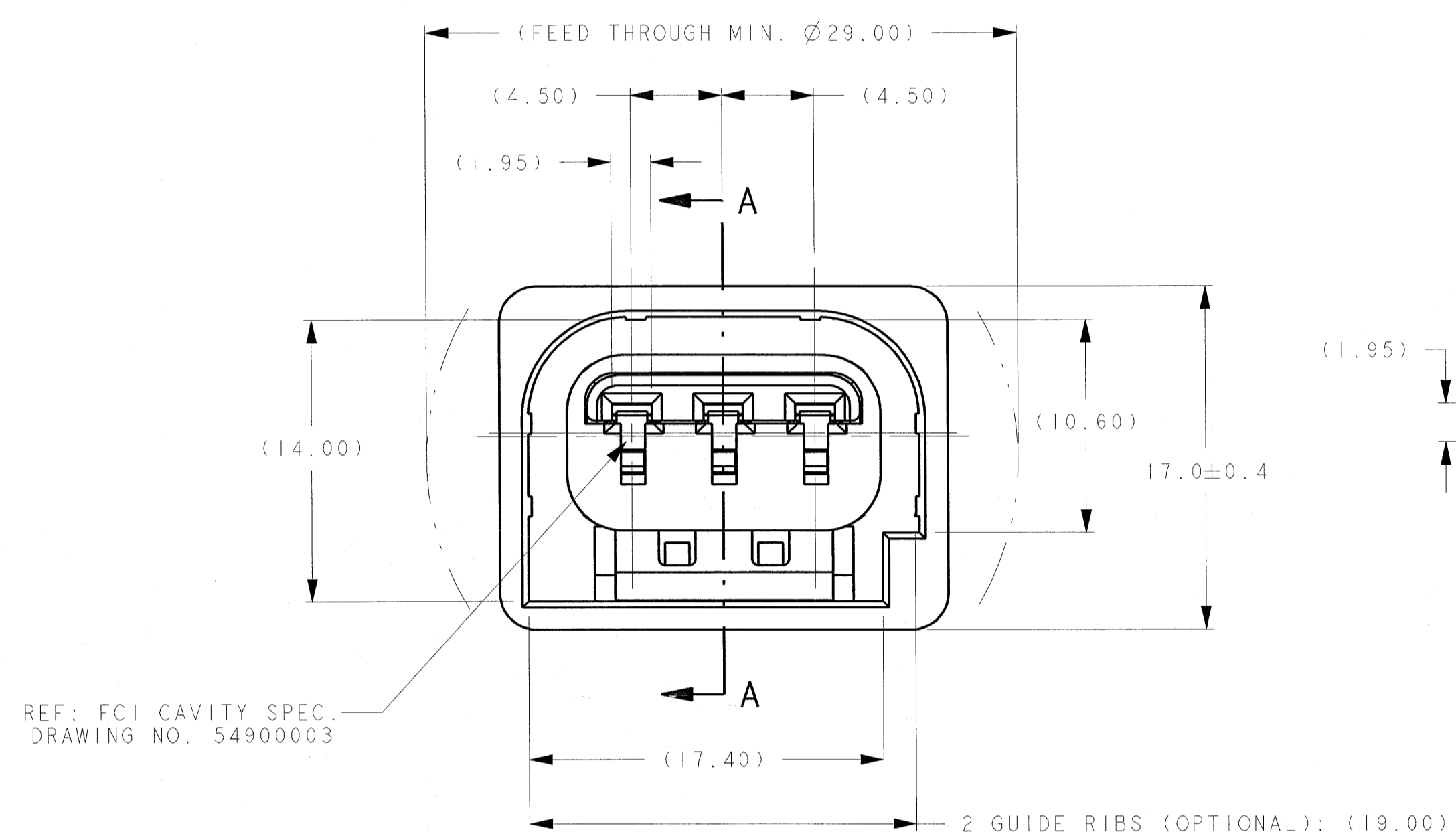
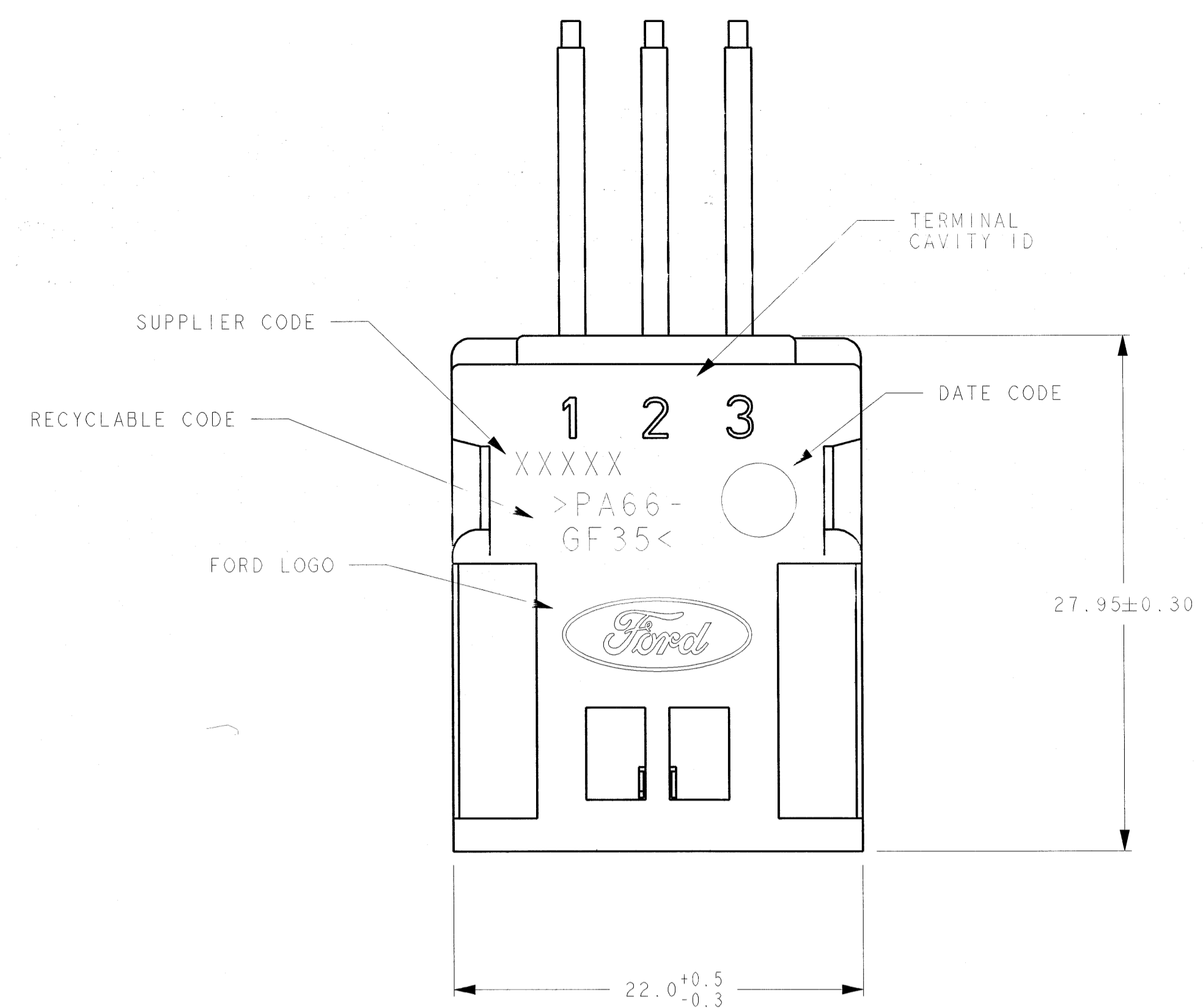
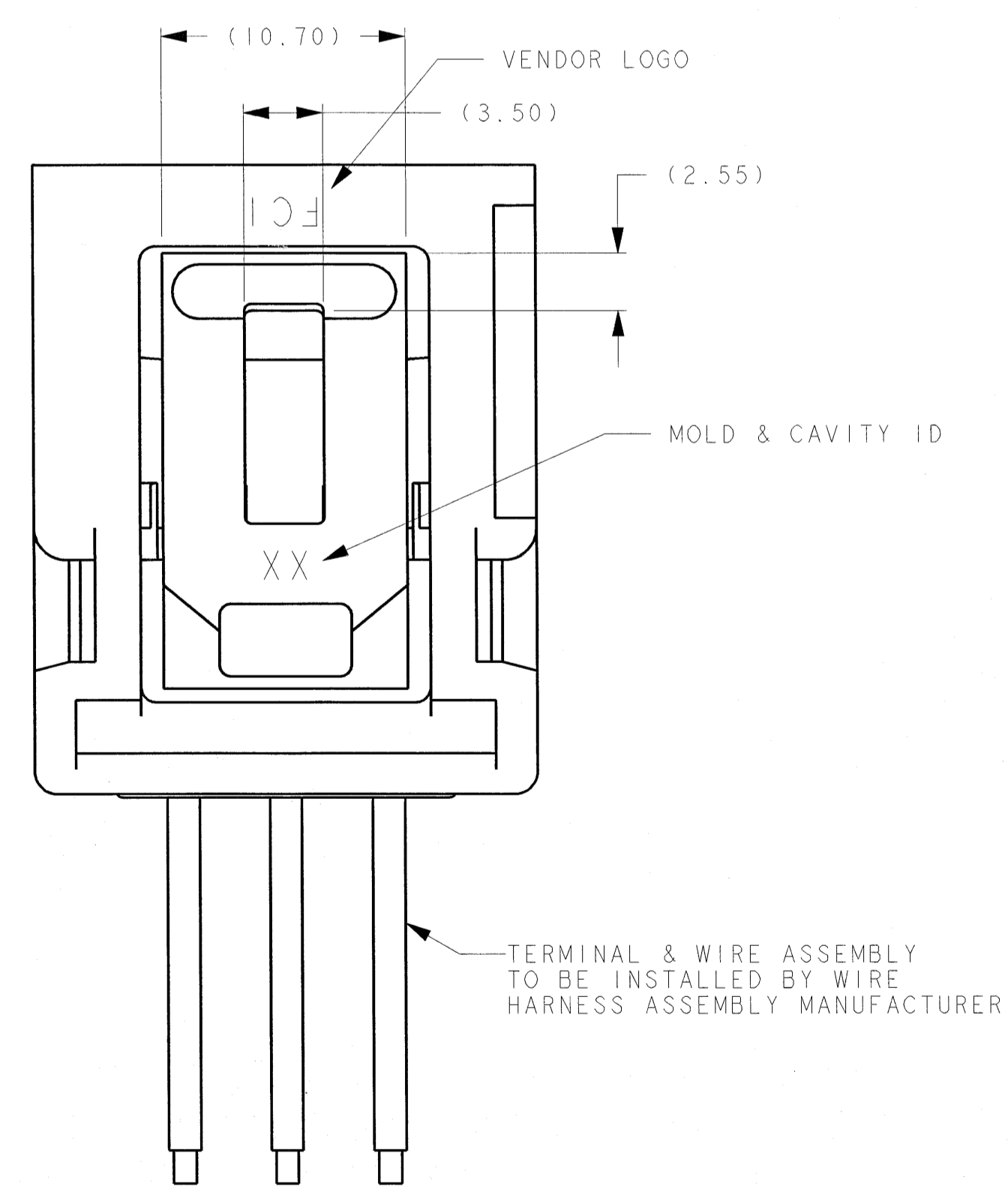


WEDGE SHOWN IN PRE-LOADED POSITION DURING ASSEMBLY PROCESS (READY FOR TERMINAL / WIRE ASSEMBLY)



FINAL ASSEMBLY TERMINALS INSTALLED WEDGE FULLY SEATED



UNLESS OTHERWISE SPECIFIED:

TOLERANCE ON:  
 1 PLACE DIMENSIONS ±0.25  
 2 PLACE DIMENSIONS ±0.10  
 ANGULAR DIMENSIONS ±2°

PART MUST CONFORM TO FORD E.C. SDS ES-F8DB-14A464-AA (USCAR PF-1) REV REL. WITH THE FOLLOWING EXCEPTION: MAXIMUM ALLOWABLE SYSTEM VOLTAGE DROP DEFINED AS ONE CRIMP PLUS ONE TERMINAL INTERFACE NOT TO EXCEED 4mV/VA

AUDIBLE FEEDBACK: REQUIREMENTS PER SDS EL-0017. TYPICAL VALUE: 1.5dB

LOCK REMOVAL FORCE: REQUIREMENTS PER SDS EL-0036. ACCEPTABLE DEVIATION FROM FULL INSERTION TO PRE-SEAT: 12-60N. PRE-SEAT TO FULL REMOVAL: 17N

POLARIZATION OF CONNECTOR HOUSING REQUIREMENTS, PER SDS EL-0032; MUST EXCEED MIN OF 12IN

VENDOR LOGO, MOLD AND CAVITY ID, RECYCLABLE CODE, DATE CODE, TERMINAL CAVITY ID, AND FORD LOGO TO BE SHOWN LEGIBLY WITH RAISED OR DEPRESSED CHARACTERS (1.0 HIGH x 0.3 WIDE - MINIMUM) LOCATED ON IDENTIFIED SURFACE OF PART (SUPPLIER CODE NOT REQUIRED ON MOLDED PART)

WIRING FABRICATORS MUST PURCHASE FROM SOURCES SHOWN  
 1) FCI AUTOMOTIVE

MATERIAL: SEE CHART

COLOR: SEE CHART

PART WEIGHT: (6.2 gr/ams)

USED ON: FCI/EATON SR110W TRANSMISSION HARNESS FCI P/N 54699002

2	SPACER - 3-WAY	1	BASF A3WGT	BLACK	54390307
1	INSULATOR - 3-WAY FEMALE	1	BASF A3WGT	NATURAL	54390306
ITEM #	DESCRIPTION	REQ'D PER ASSY	COMPONENT MATERIAL	COLOR	FCI PART NUMBER

54390309	-	-	-	-
PART NUMBER	PART NUMBER	REV DATE	REV	DRAWING NUMBER
F.C.I.				CUSTOMER

REVISION	A								
DRAWING NO.	G03061								

ALL	4113	A	RELEASED FOR PRODUCTION	10-16-01					
ZONE	ECN	LET	REVISION RECORD	DATE	D	C	R	E	
LAST INSP CODE									
LAST TOOL CODE									
LAST SEC									
B									
DIMENSIONS	1 PLACE DIM ±0.25	2 PLACE DIM ±0.10	ANGULAR DIM ±2°						
DATUM									
MATERIAL	SEE CHART								
REFERENCE:	SR110W TRANSMISSION PROGRAM								
CAD ID NO.:	G03061	FILE NAME:	G03061.DRW	SYSTEM:	PROFE				
ASSEMBLY - 3-WAY 1.50 FEMALE									
G03061									
SHEET 1 OF 1									

# Mouser Electronics

Authorized Distributor

Click to View Pricing, Inventory, Delivery & Lifecycle Information:

[Aptiv:](#)

[54390309](#) [54390309-B](#)