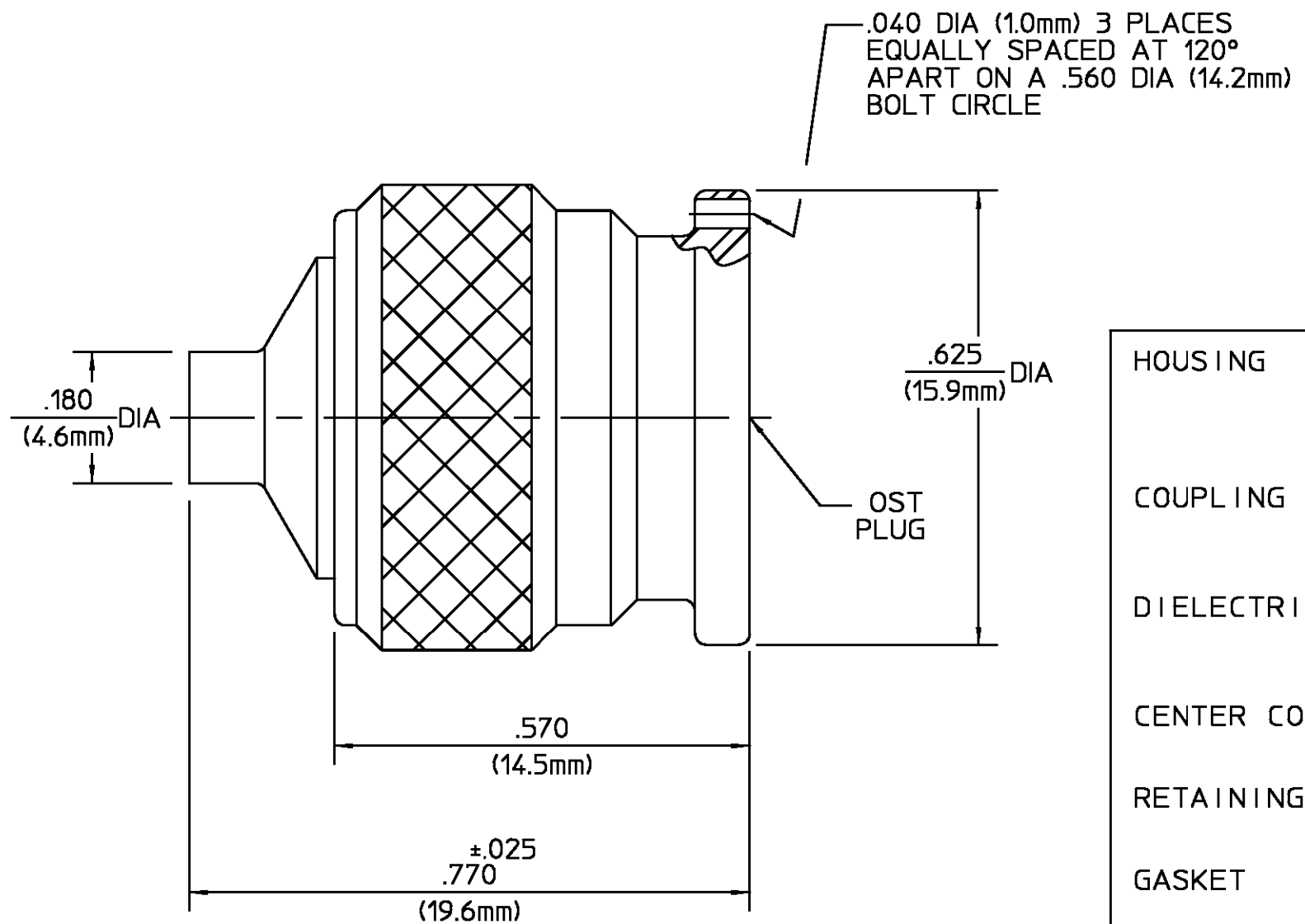


REVISIONS			
REV	DESCRIPTION	DATE	APPROVED
05 ₁	SEE ECN 81-0047	SB 1-19-81	RC
05 ₂	SEE ECN 80-0084	P.M. 4-8-81	TS
06 ₀	MAJ. CHANGE PER ECN 85-0032	L.ROSS 1-15-85	RR 1-15-85
06 ₁	REDRAWN ON CAD PER ECN 88-0678	M.Y. 3-31-89	KCM
B	PER EC 0U20-0694-00	030CT01	<i>C. Zhang</i> 030CT01



HOUSING	STAINLESS STEEL PER ASTM-A484 AND ASTM-A582, TYPE 303	GOLD PLATE PER MIL-G-45204 OVER NICKEL PLATE PER QQ-N-290
COUPLING NUT	STAINLESS STEEL PER ASTM-A484 AND ASTM-A582, TYPE 303	PASSIVATE PER ASTM-A380
DIELECTRIC	TFE FLUOROCARBON PER MIL-P-19468 AND FED SPEC L-P-403	N/A
CENTER CONTACT	BRASS PER ASTM-B-16, HALF HARD	GOLD PLATE PER MIL-G-45204
RETAINING RING	BERYLLIUM COPPER PER QQ-C-533	N/A
GASKET	SILICONE RUBBER PER ZZ-R-765	N/A
COMPONENT	MATERIAL	FINISH

CABLE ENTRY DIAMETER MINIMUM	
HOUSING	.145
CONTACT	.040

UNLESS OTHERWISE SPECIFIED DIMENSIONS ARE IN INCHES
TOLERANCE ON
FRAC. DEC. ANGLES
* 1/64 * .005 * °

These drawings and specifications are the property of Omni Spectra Incorporated and shall not be reproduced or copied or used in whole or in part as the basis for the manufacture or sale of item(s) without written permission.

DRAWN BY J.L. DATE 9-1-67
CHECKED BY REA 9-1-67
APPD BY JK 9-5-67

AMP
AMP Incorporated
140 Fourth Avenue
Waltham, MA 02451-7599

USE ASS'Y PROCEDURE
408-08201
NO. AP. (31-001)

TITLE OST CABLE PLUG DIRECT SOLDER
SIZE B CODE IDENT NO. 26805
3101-7941-00 REV 06₁
SCALE 5:1 SHEET 1 OF 1

NOTES:
1. DESIGNED FOR USE WITH .141 SEMI-RIGID CABLE

Mouser Electronics

Authorized Distributor

Click to View Pricing, Inventory, Delivery & Lifecycle Information:

[TE Connectivity:](#)

[3101-7941-00](#)