

## Adapter plate - HC-B 16-ADP/1 DSUB 37 - 1775512

Please be informed that the data shown in this PDF Document is generated from our Online Catalog. Please find the complete data in the user's documentation. Our General Terms of Use for Downloads are valid (<http://phoenixcontact.com/download>)




D-SUB adapter plate, for one D-SUB connector, no. of positions 37, housing series HC-B 16...

### Product Description

incl. mounting screws



### Key Commercial Data

Packing unit	1 pc
Minimum order quantity	2 pc
GTIN	 4 017918 038113
Weight per Piece (excluding packing)	17.7 g
Custom tariff number	85472000
Country of origin	Germany

### Technical data

#### Dimensions

Length	85 mm
Height	34.5 mm
Hole diameter	3.2 mm
Drill hole distance, horizontal	77.5 mm
Drill hole distance, vertical	27 mm

#### General

Note	For housing HC-B16
Material	PA
Flammability rating according to UL 94	HB
Color	gray

# Adapter plate - HC-B 16-ADP/1 DSUB 37 - 1775512

## Technical data

### General

Number of positions	37
Type	B16

### Standards and Regulations

Flammability rating according to UL 94	HB
--	----

## Classifications

### eCl@ss

eCl@ss 4.0	27140816
eCl@ss 4.1	27140816
eCl@ss 5.0	27143424
eCl@ss 5.1	27143424
eCl@ss 6.0	27143424
eCl@ss 7.0	27440209
eCl@ss 8.0	27440201

### ETIM

ETIM 3.0	EC002309
ETIM 4.0	EC002309
ETIM 5.0	EC002309

### UNSPSC

UNSPSC 6.01	30211808
UNSPSC 7.0901	39121408
UNSPSC 11	39121408
UNSPSC 12.01	39121408
UNSPSC 13.2	39121408

## Approvals

### Approvals

---

Approvals

EAC

---

Ex Approvals

## Adapter plate - HC-B 16-ADP/1 DSUB 37 - 1775512

### Approvals

---

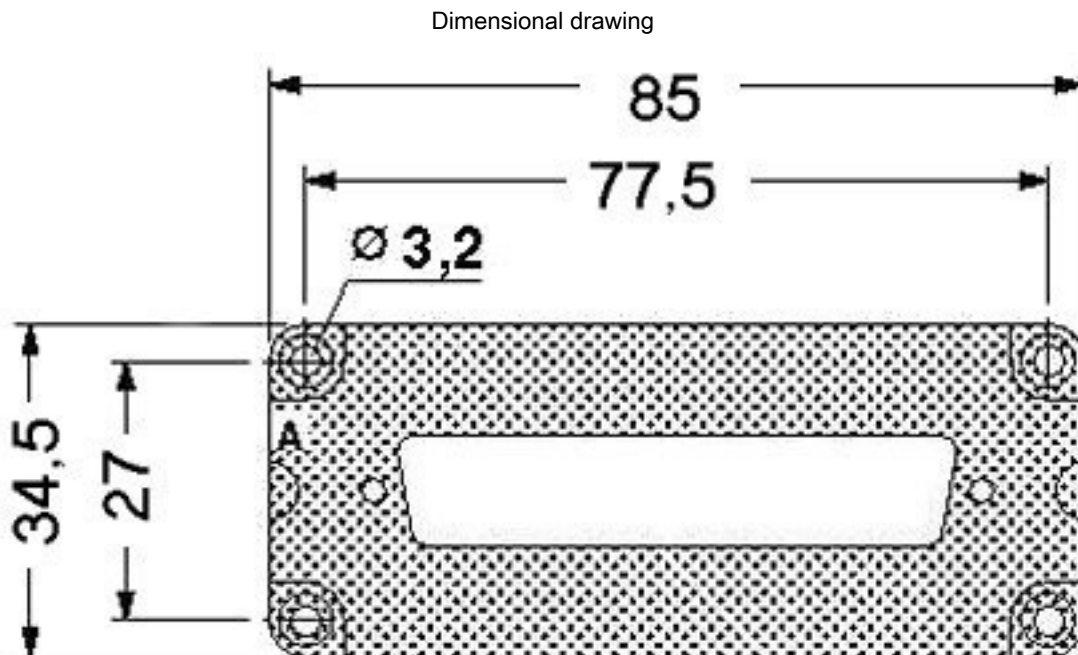
Approvals submitted

---

### Approval details

EAC
-----

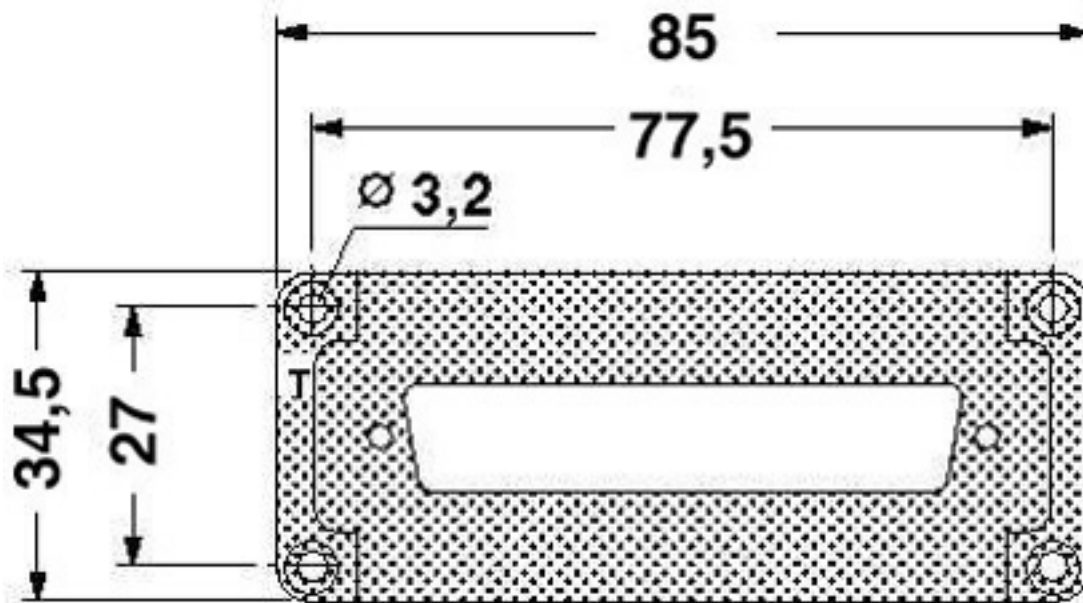
### Drawings



See assembly instruction

## Adapter plate - HC-B 16-ADP/1 DSUB 37 - 1775512

Dimensional drawing



See assembly instruction

# Mouser Electronics

Authorized Distributor

Click to View Pricing, Inventory, Delivery & Lifecycle Information:

[Phoenix Contact:](#)

[1775512](#)