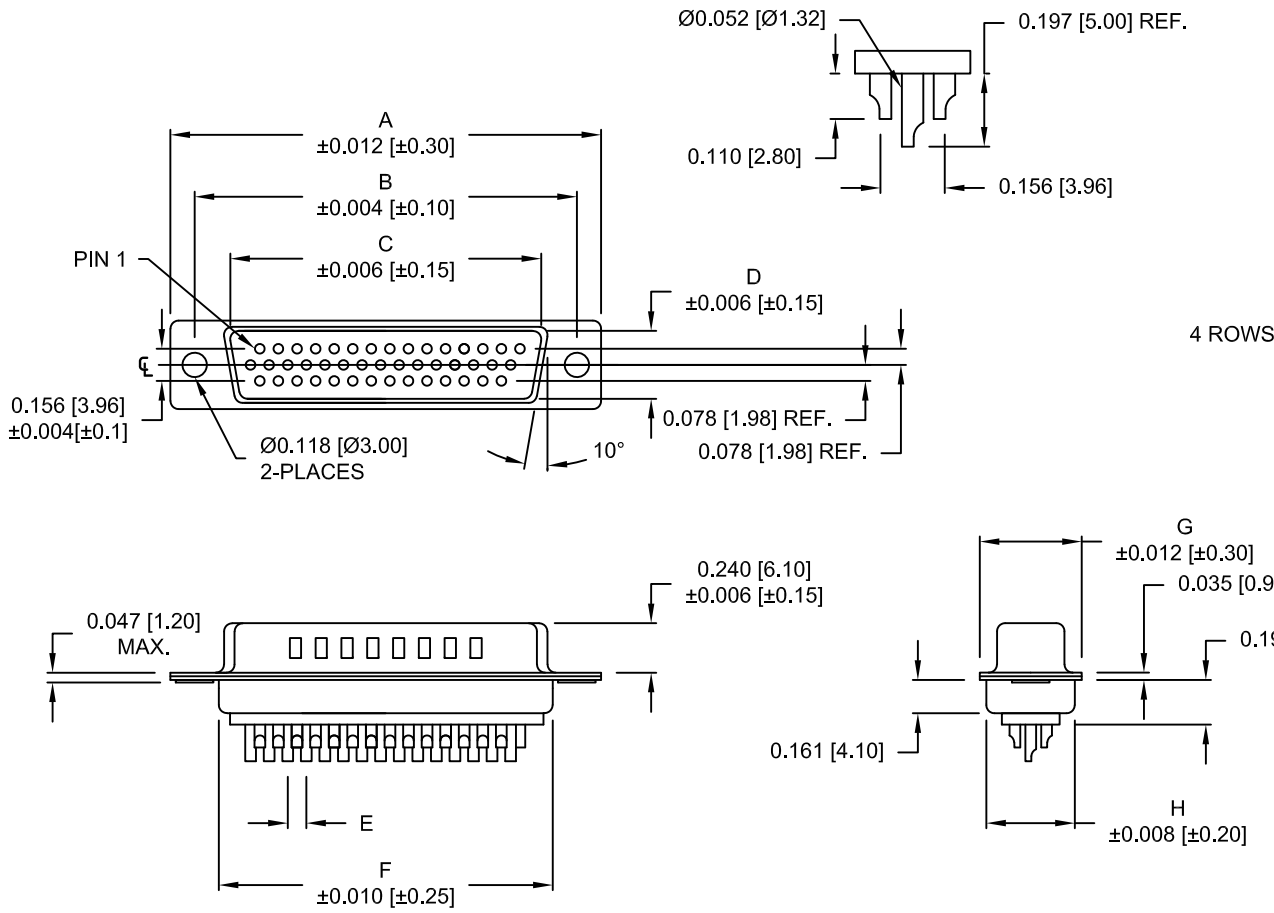


DESCRIPTION: HIGH DENSITY MALE - SOLDER CUP



No. OF PINS	DIMENSIONS							
	A	B	C	D	E	F	G	H
15	1.213	0.984	0.666	0.329	0.090	0.756	0.496	0.429
	30.80	24.99	16.92	8.36	2.29	19.20	12.60	10.90
26	1.543	1.312	0.978	0.329	0.090	1.091	0.496	0.429
	39.20	33.32	25.25	8.36	2.29	27.70	12.60	10.90
44	2.087	1.852	1.534	0.329	0.090	1.618	0.496	0.429
	53.00	47.04	38.85	8.36	2.29	41.10	12.60	10.90
62	2.732	2.500	2.181	0.329	0.095	2.256	0.496	0.429
	69.40	63.50	55.40	8.36	2.41	57.30	12.60	10.90
78	2.638	2.406	2.079	0.445	0.095	2.169	0.606	0.526
	67.00	61.10	52.80	11.30	2.41	55.10	15.40	13.35

4 ROWS

180-YYY-10YLYY1

- SERIES _____
- POSITIONS _____
- 015 _____
- 026 _____
- 044 _____
- 062 _____
- 078 _____
- GENDER _____
- 1 = MALE
- TERMINATION _____
- 0 = SOLDER CUP
- SHELL PLATING _____
- 2 = TIN
- 3 = NICKEL (GROUND INDENTS)
- RoHS COMPLIANT (230°C) _____
- HARDWARE OPTIONS _____
- 00 = NO HARDWARE
- 01 = .098" CLINCH NUT (BOARD SIDE)
- 02 = .236" CLINCH NUT (BOARD SIDE)
- 03 = .236" CLINCH NUT (MATING SIDE)
- PLATING OPTIONS _____
- 1 = GOLD FLASH
- 2 = 30u" GOLD MATING AREA; GF ON TAILS

MATERIAL:

- SHELL: STEEL, TIN OR NICKEL PLATED
- INSULATOR: PBT +30% FIBER-GLASS // UL 94V-O RATED
- CONTACT: BRASS, GOLD PLATED OVER NICKEL

ELECTRICAL:

- CURRENT RATING: 5 AMPS
- CONTACT RESISTANCE: 15 mOhms Max.
- INSULATION RESISTANCE: 1,000 MOhms min.
- VOLTAGE: 500VAC FOR 1 MINUTE
- TEMPERATURE: -50° C TO 100° C

NOTE: WILL ACCEPT UP TO 24 AWG WIRE

UNITS = inch [mm] DO NOT SCALE FROM DRAWING

	THESE DRAWINGS AND SPECIFICATIONS ARE THE PROPERTY OF NorComp AND SHALL NOT BE REPRODUCED, COPIED OR USED AS THE BASIS FOR THE MANUFACTURE OF SALE OF APPARATUS WITHOUT WRITTEN PERMISSION.		DRAWN: WAYNE ROBBINS	DATE: 11-29-05
	<h1>NorComp</h1>		SCALE: NTS	SHEET 1 OF 2
			DWG NO. 180-YYY-10YLYY1	

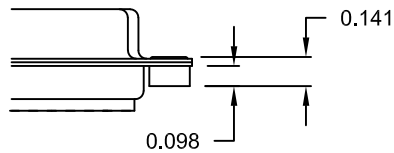
RoHS COMPLIANT

DESCRIPTION: CLINCH NUT HARDWARE

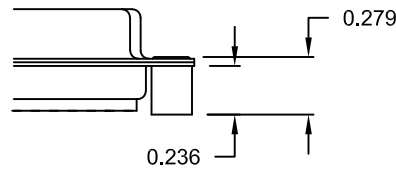
TOLERANCE:
ALL DIMENSIONS ARE ± 0.010

ALL CLINCH-NUTS ARE 4-40 INTERNAL THREADS

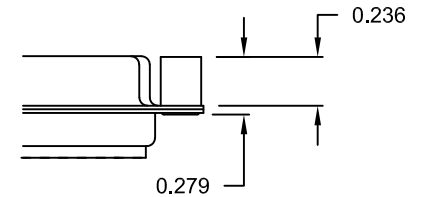
01X 0.098" (BOARD SIDE)



02X 0.236" (BOARD SIDE)



03X..... 0.236" (MATING SIDE)



UNITS = inch

DO NOT SCALE FROM DRAWING



THESE DRAWINGS AND SPECIFICATIONS ARE THE PROPERTY OF NorComp AND SHALL NOT BE REPRODUCED, COPIED OR USED AS THE BASIS FOR THE MANUFACTURE OF SALE OF APPARATUS WITHOUT WRITTEN PERMISSION.

DRAWN:
WAYNE ROBBINS

DATE:
11-29-05

NorComp

SCALE: NTS SHEET 2 OF 2 REV 15

DWG NO. 180-YYY-10YLYY1

RoHS COMPLIANT

Mouser Electronics

Authorized Distributor

Click to View Pricing, Inventory, Delivery & Lifecycle Information:

NorComp:

[180-015-103L011](#) [180-015-103L021](#) [180-015-103L031](#) [180-026-103L011](#) [180-026-103L021](#) [180-026-103L031](#)
[180-044-103L011](#) [180-044-103L021](#) [180-044-103L031](#) [180-062-103L011](#) [180-062-103L021](#) [180-062-103L031](#) [180-](#)
[078-103L011](#) [180-078-103L021](#) [180-078-103L031](#) [180-062-103L001](#) [180-026-103L001](#) [180-078-103L001](#) [180-044-](#)
[103L001](#) [180-015-103L001](#) [180-015-102L001](#) [180-015-102L031](#) [180-026-102L001](#) [180-026-102L011](#) [180-044-](#)
[102L001](#) [180-044-102L011](#) [180-044-102L021](#) [180-062-102L001](#) [180-062-102L011](#) [180-078-102L001](#) [180-078-](#)
[102L031](#)