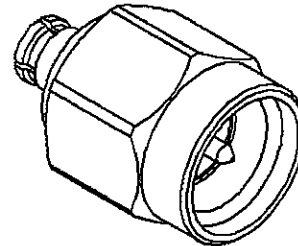
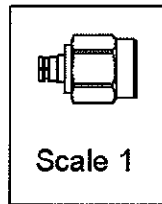
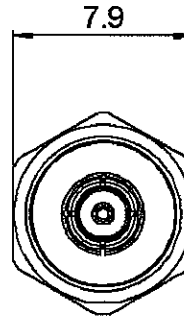
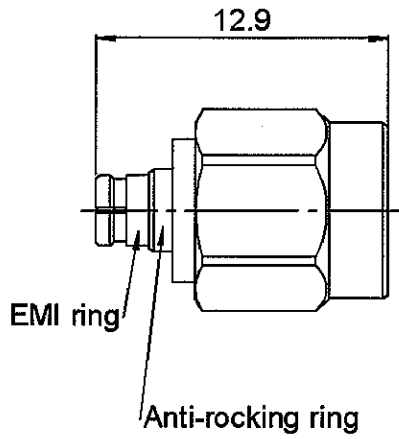


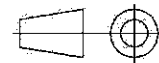
SMA MALE - SMP FEMALE ADAPTOR

R191.842.002

Série : ADAPT



All dimensions are in mm.



| COMPONENTS | MATERIALS | PLATINGS (µm) |
|----------------|------------------|----------------------------|
| BODY | BERYLLIUM COPPER | GOLD 1.3 OVER NICKEL 2 |
| CENTER CONTACT | BERYLLIUM COPPER | GOLD 1.27 OVER NICKEL 1.27 |
| OUTER CONTACT | | |
| INSULATOR | PTFE | |
| GASKET | SILICONE | |
| OTHERS PARTS | STAINLESS STEEL | GOLD 0.5 OVER NICKEL 2 |
| - | - | - |
| - | - | - |

Issue : 0529 B

In the effort to improve our products, we reserve the rights to make changes judged to be necessary.



SMA MALE - SMP FEMALE ADAPTOR

R191.842.002

Série : ADAPT

PACKAGING

SPECIFICATION

| Standard | Unit | Other |
|----------|------------|------------|
| 100 | 'W' option | Contact us |

ELECTRICAL CHARACTERISTICS

ENVIRONMENTAL

| | | |
|---------------------------------|--------|----------------------|
| Impedance | | 50 Ω |
| Frequency | | 0-18 GHz |
| VSWR | 1.15 + | 0.000 x F(GHz) Maxi |
| Insertion loss | | 0.12 √F(GHz) dB Maxi |
| RF leakage | -(| NA - F(GHz)) dB Maxi |
| Voltage rating | | 335 Veff Maxi |
| Dielectric withstanding voltage | | 500 Veff mini |
| Insulation resistance | | 5000 MΩ mini |

| | |
|---------------|--------------|
| Operating | -65/165 ° C |
| Hermetic seal | NA Atm.cm3/s |
| Panel leakage | NA |

MECHANICAL CHARACTERISTICS

OTHERS CHARACTERISTICS

| | | |
|----------------------------|-----|-----------------|
| Center contact retention | | |
| Axial force – Mating end | | 27* N mini |
| Axial force – Opposite end | | 6.8** N mini |
| Torque | | N.cm mini |
| Recommended torque | | |
| Mating | SMA | 0 N.cm |
| | SMP | 0 N.cm |
| | | 0 N.cm |
| Panel nut | | NA N.cm |
| Mating life | | 100 Cycles mini |
| Weight | | 2.570 g |

*SMA mating end
** SMP mating end

Issue : 0529 B

In the effort to improve our products, we reserve the rights to make changes judged to be necessary.



RADIALL®

Mouser Electronics

Authorized Distributor

Click to View Pricing, Inventory, Delivery & Lifecycle Information:

[Radial:](#)

[R191842002](#)