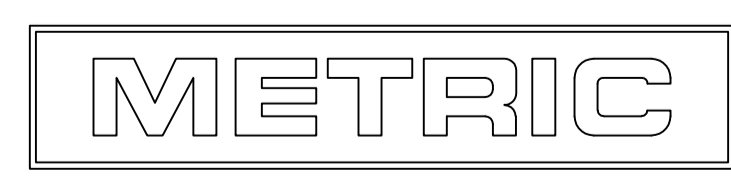
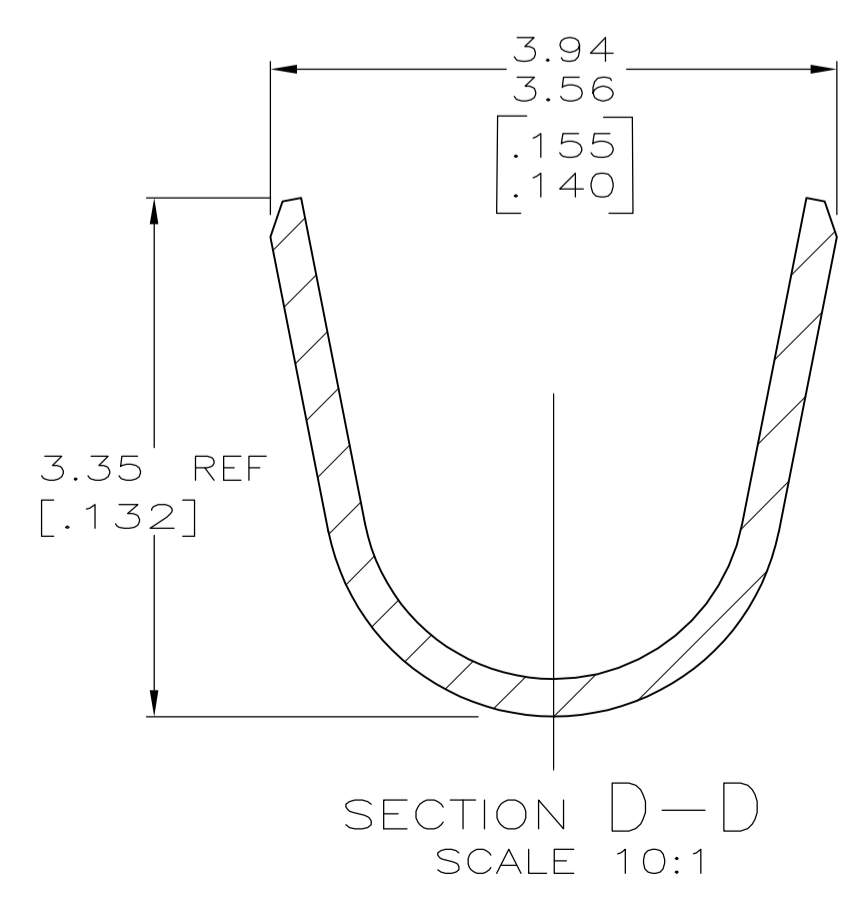
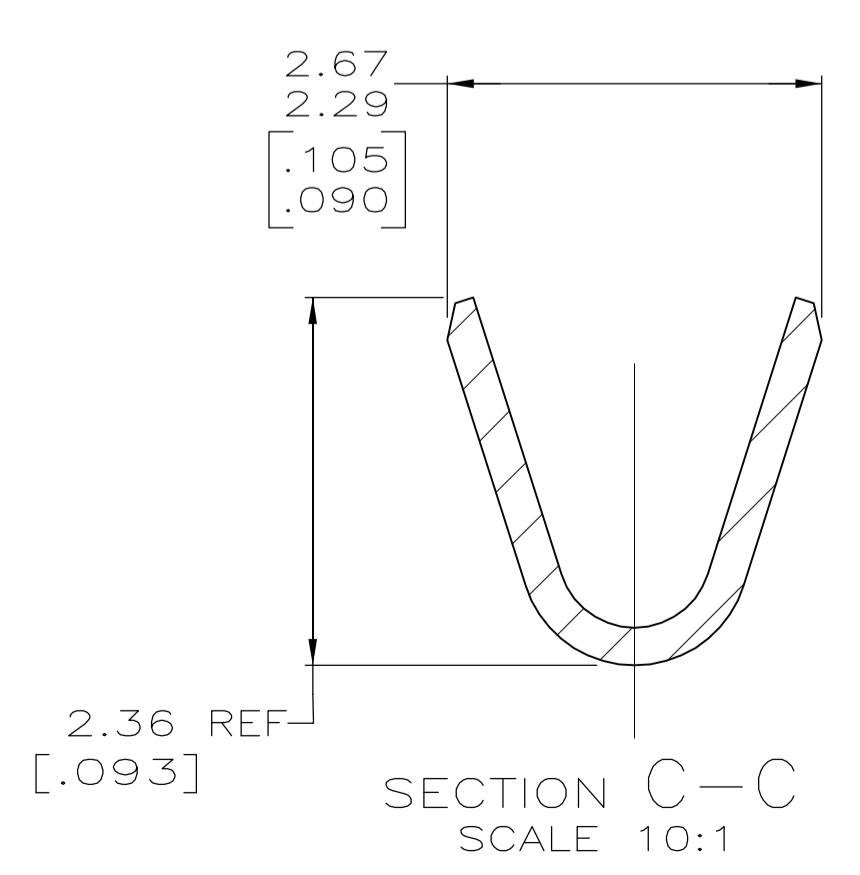
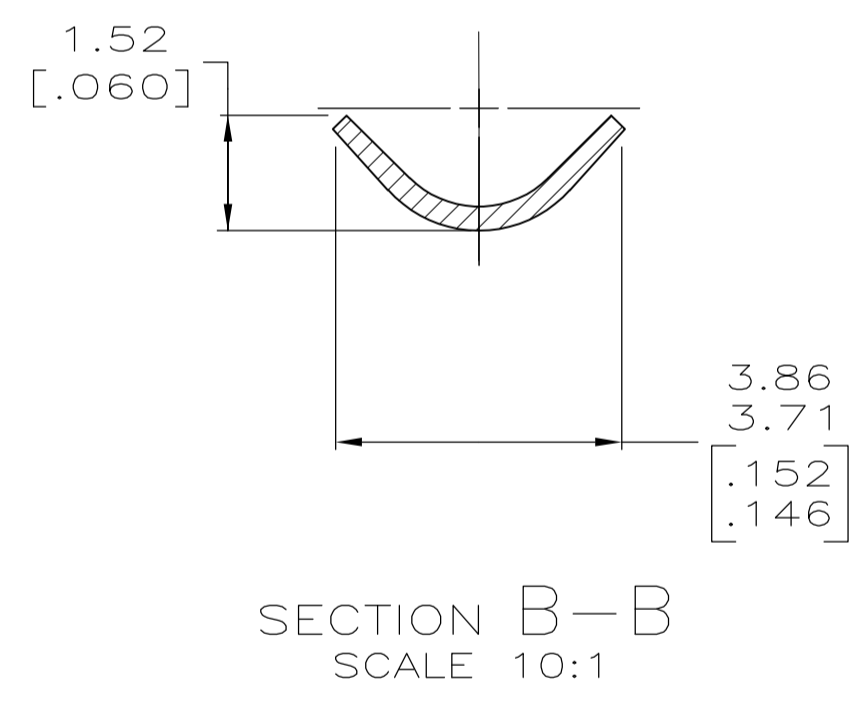
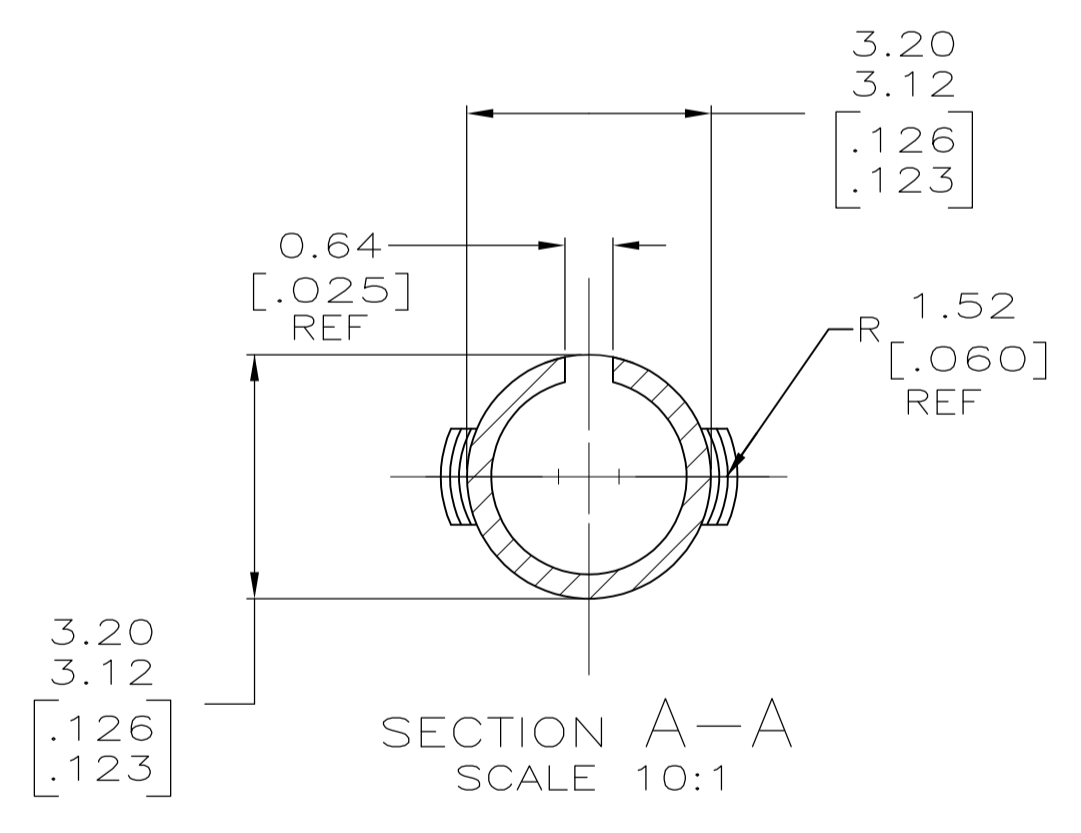
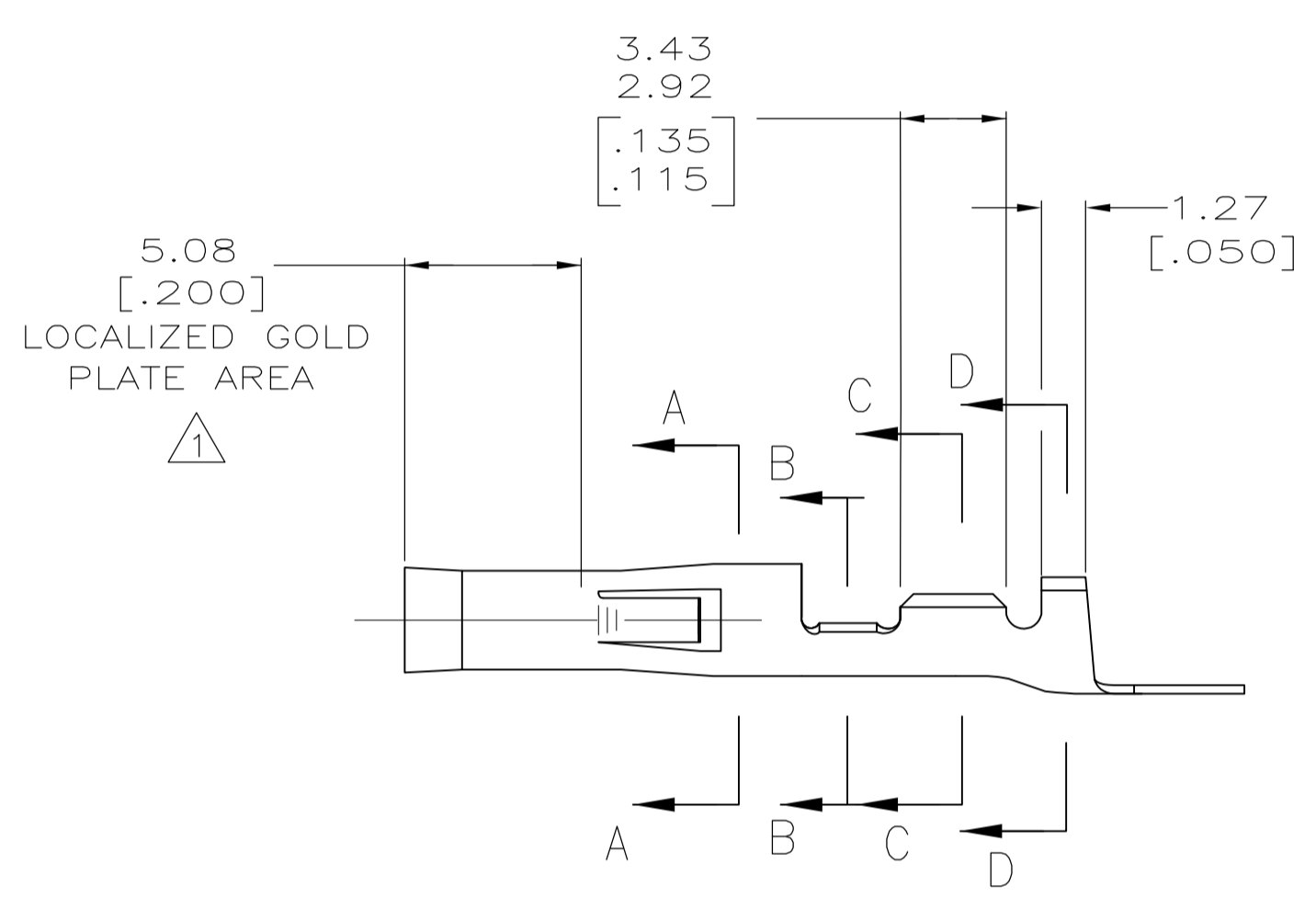
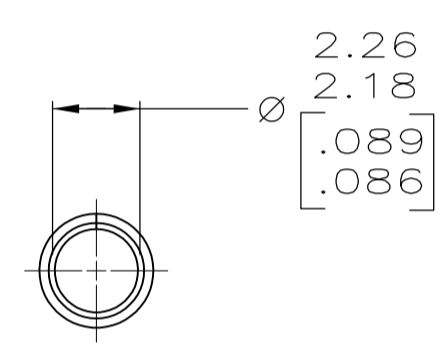


- 1 0.000762 [.000030] MIN GOLD IN LOCALIZED GOLD PLATE AREA OVER 0.00127 [.000050] MIN NICKEL.
- 2 WIRE RANGE: 0.3 - 0.84mm² (24-18 AWG).
- 3 INSULATION RANGE: 2.79 [.110] MAX. DIA.
- 4 DIMENSIONS IN BRACKETS ARE IN INCHES.



GOLD STRIPE	0.25 [.010] BRASS	350417-5
△	0.25 [.010] BRASS	350417-3
PRE-TIN	0.25 [.010] BRASS	350417-1
FINISH	MATERIAL	PART NO

THIS DRAWING IS A CONTROLLED DOCUMENT.

DIMENSIONS: mm [INCHES]	TOLERANCES UNLESS OTHERWISE SPECIFIED:	DIN K. WHITAKER 22NOV2005	CHK D. COLEY 22NOV2005	NAME D. COLEY 22NOV2005	APVD D. COLEY 22NOV2005	PRODUCT SPEC	APPLICATION SPEC	SIZE	CAGE CODE	DRAWING NO	RESTRICTED TO
	0 PLC ± -							A1	00779	C=350417	
	1 PLC ± -										
	2 PLC ± -										
	3 PLC ± 0.13 [.005]										
	4 PLC ± -										
	ANGLES ± 0°30'										
MATERIAL SEE TABLE	FINISH SEE TABLE	WEIGHT									

CUSTOMER DRAWING SCALE 5:1 SHEET 1 OF 1 REV AP2

Mouser Electronics

Authorized Distributor

Click to View Pricing, Inventory, Delivery & Lifecycle Information:

[TE Connectivity:](#)

[350417-5](#)