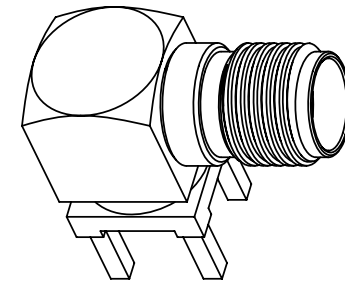
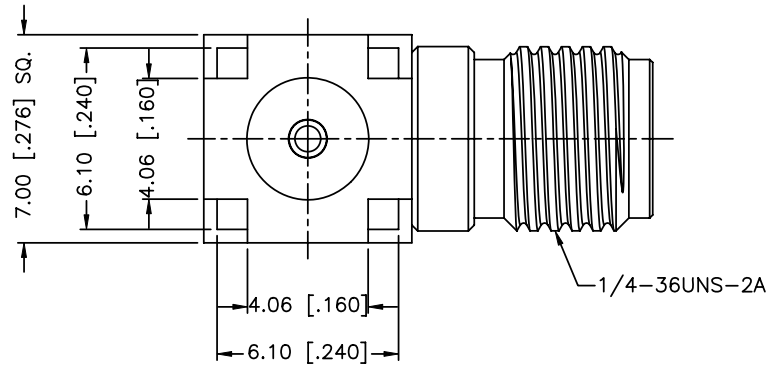
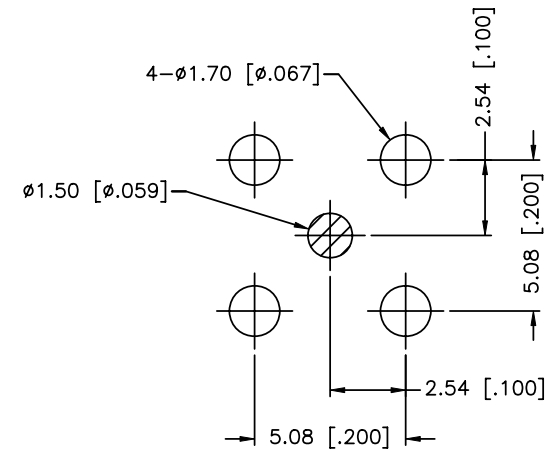
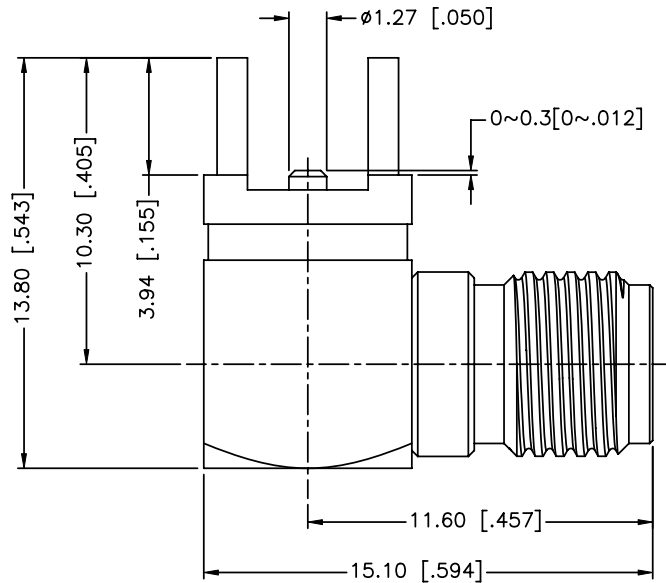


| REV. | DATE | ECR NO. | DESCRIPTION |
|------|----------|---------|--|
| NC | 03/28/06 | xxxx | INITIAL RELEASE |
| A | 02/22/13 | 2448 | MODIFY PCB MOUNTING HOLES, UPDATE DRAWING FORMAT |



SCALE 4.000



PCB MOUNTING HOLES

1. IMPEDANCE: 50 OHM
2. FREQUENCY RANGE: DC 0-18 GHz
3. VSWR: 1.5 MAX.
4. DIELECTRIC WITHSTANDING VOLTAGE: 1000 VRMS, MIN.
5. DURABILITY: 500 CYCLES MIN.
6. TEMPERATURE RANGE: -65°C TO +165°C

| QTY | DESCRIPTION | MATERIAL | FINISH |
|-----|-------------------|-------------|---------|
| 1 | INSULATOR | PTFE | NATURAL |
| 1 | CONTACT PIN | BER. COPPER | GOLD |
| 1 | INSULATOR | PTFE | NATURAL |
| 1 | HOUSING WITH BODY | BRASS | GOLD |

UNLESS OTHERWISE SPECIFIED DIMENSIONS ARE IN MILLIMETERS. DIMENSIONS IN [] ARE IN INCHES AND FOR CUSTOMER REFERENCE ONLY. UNLESS OTHERWISE SPECIFIED TOLERANCES FOR MILLIMETERS ARE:
 <math>< .020 \pm 0.002''</math>
 $.020 - .236 = \pm 0.004''$
 $.236 - 1.180 = \pm 0.007''$
 $1.180 - 4.724 = \pm 0.012''$
 ANGLES $\pm 1^\circ$
 UNLESS OTHERWISE SPECIFIED TOLERANCES FOR INCHES ARE:
 <math>< .020 \pm 0.002''</math>
 $.020 - .236 = \pm 0.004''$
 $.236 - 1.180 = \pm 0.007''$
 $1.180 - 4.724 = \pm 0.012''$
 ANGLES $\pm 1^\circ$
 DO NOT SCALE DRAWING

| APPROVALS | DATE |
|--------------|-------------------------|
| DRAWN R.MAO | 02/22/13 |
| CHECKED | |
| ISSUED | |
| SHEET 1 OF 1 | |
| CAD FILE | C:/CONNEX/132136-12.DWG |

| PART DESCRIPTION | |
|---|-------|
| Amphenol Connex | |
| SMA R/A P.C. MOUNT JACK SURFACE MOUNT CENTER CONTACT | |
| PART NO. | |
| 132136-12 | |
| DWG. NO. | REV. |
| 132136-12.DWG | A |
| SIZE | SCALE |
| A | NA |

Mouser Electronics

Authorized Distributor

Click to View Pricing, Inventory, Delivery & Lifecycle Information:

[Amphenol:](#)

[132136-12](#)