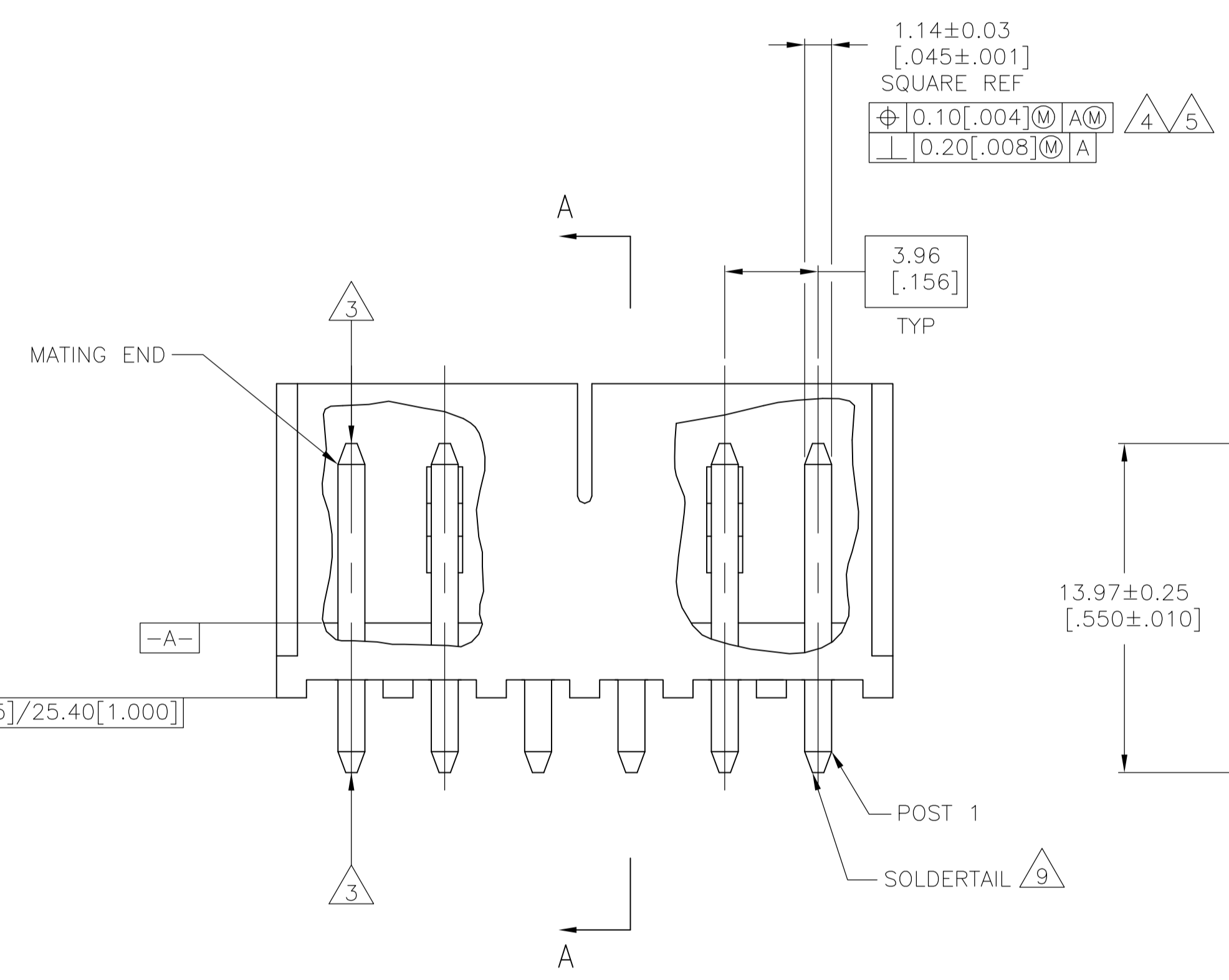
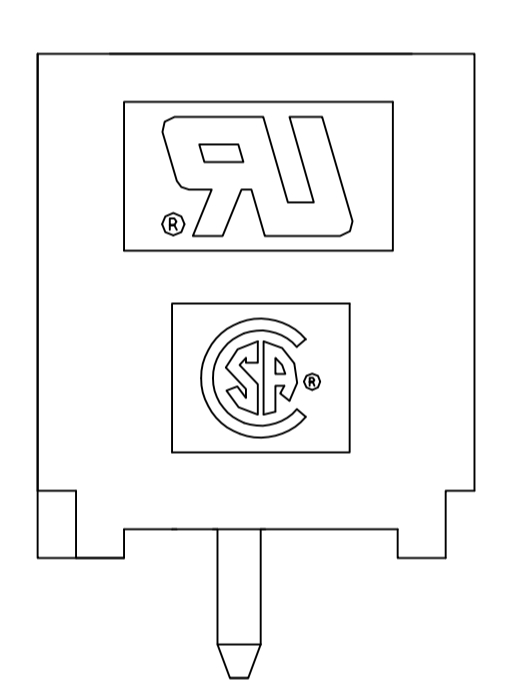


2.29±0.08  
[.090±.003]  
TYP

0.89  
[.035]  
REF

0.13[.005]/25.40[1.000]



1.14±0.03  
[.045±.001]  
SQUARE REF

0.10[.004] M A

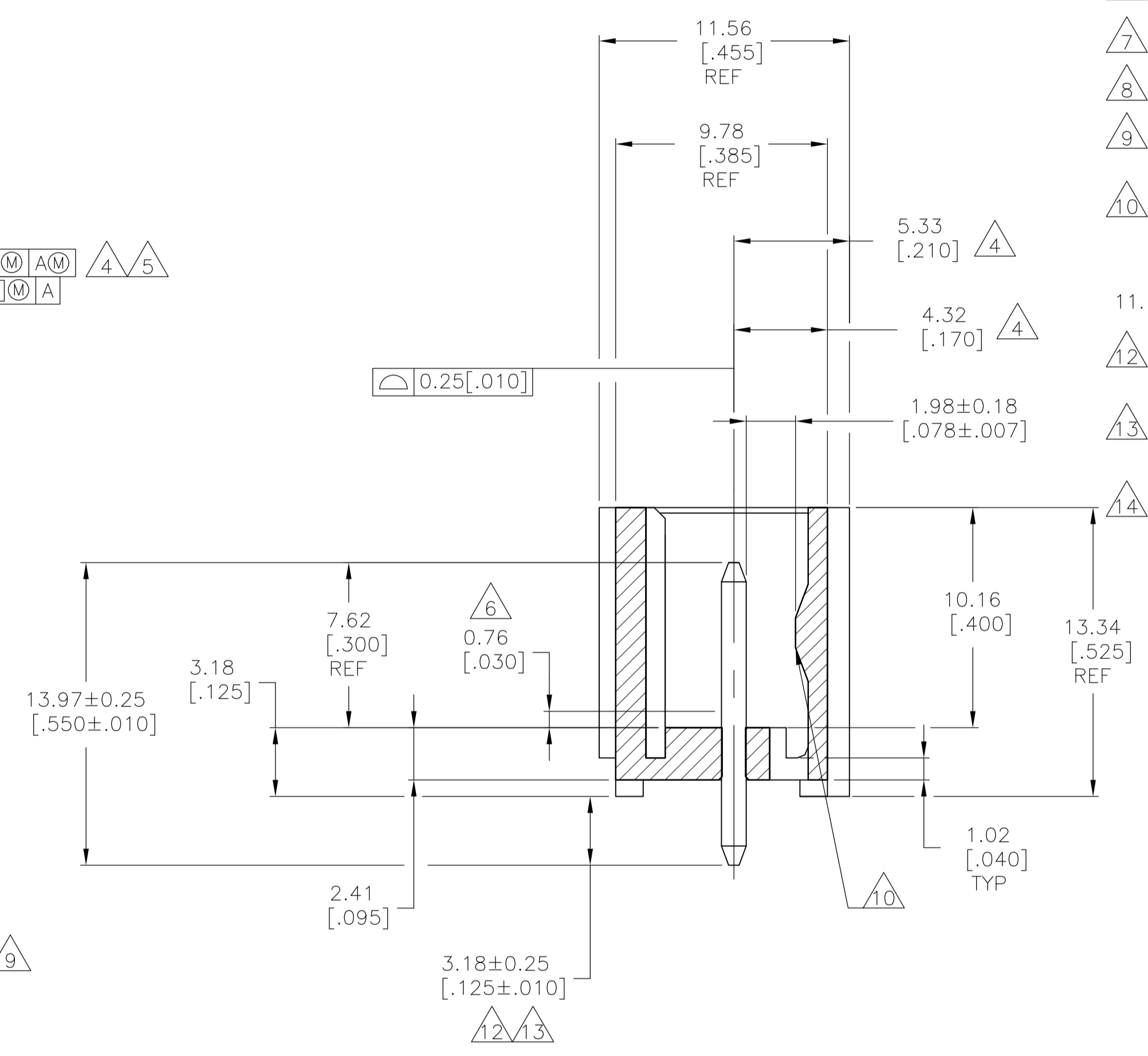
0.20[.008] M A

MATING END

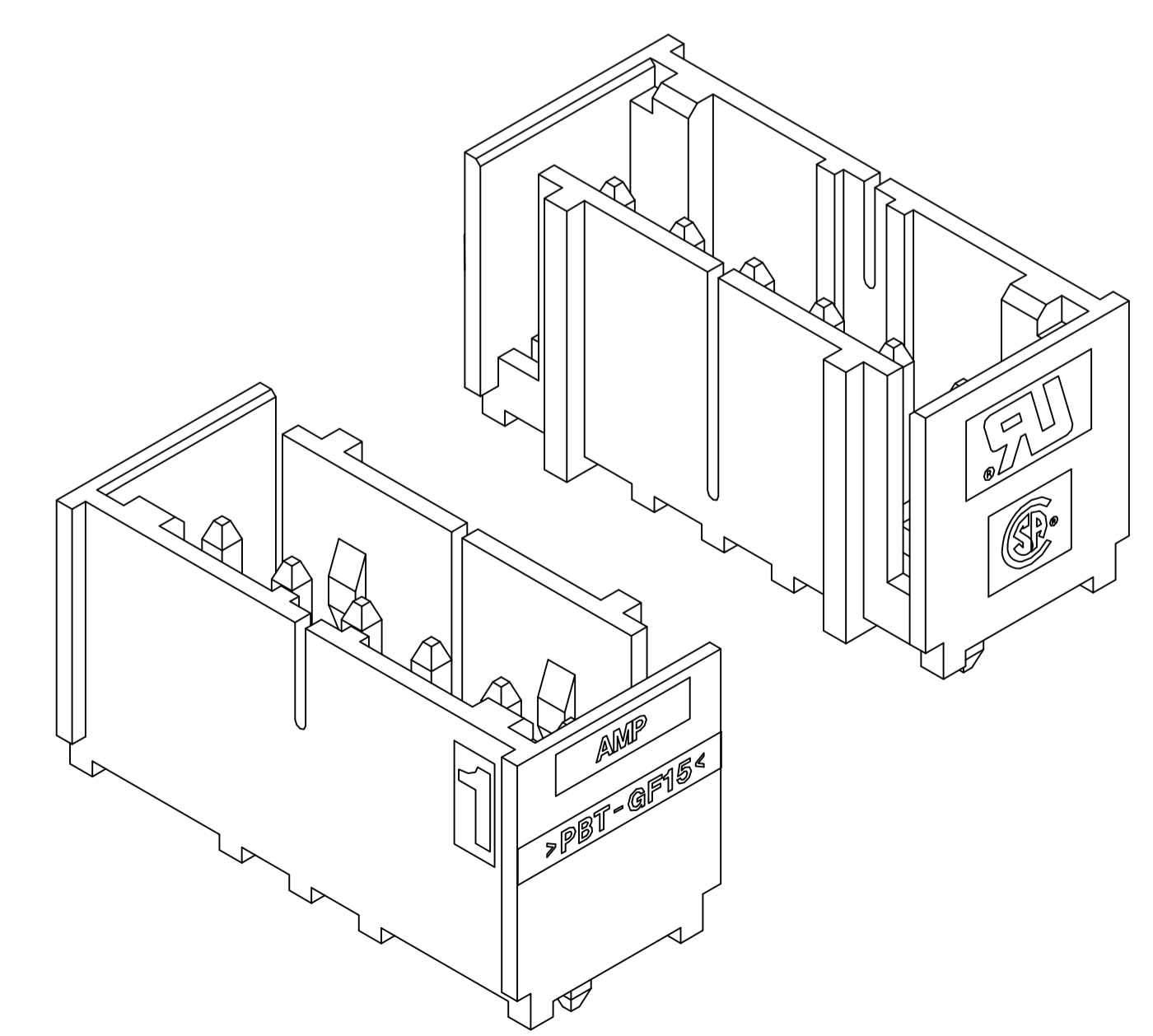
3.96  
[.156]  
TYP

POST 1

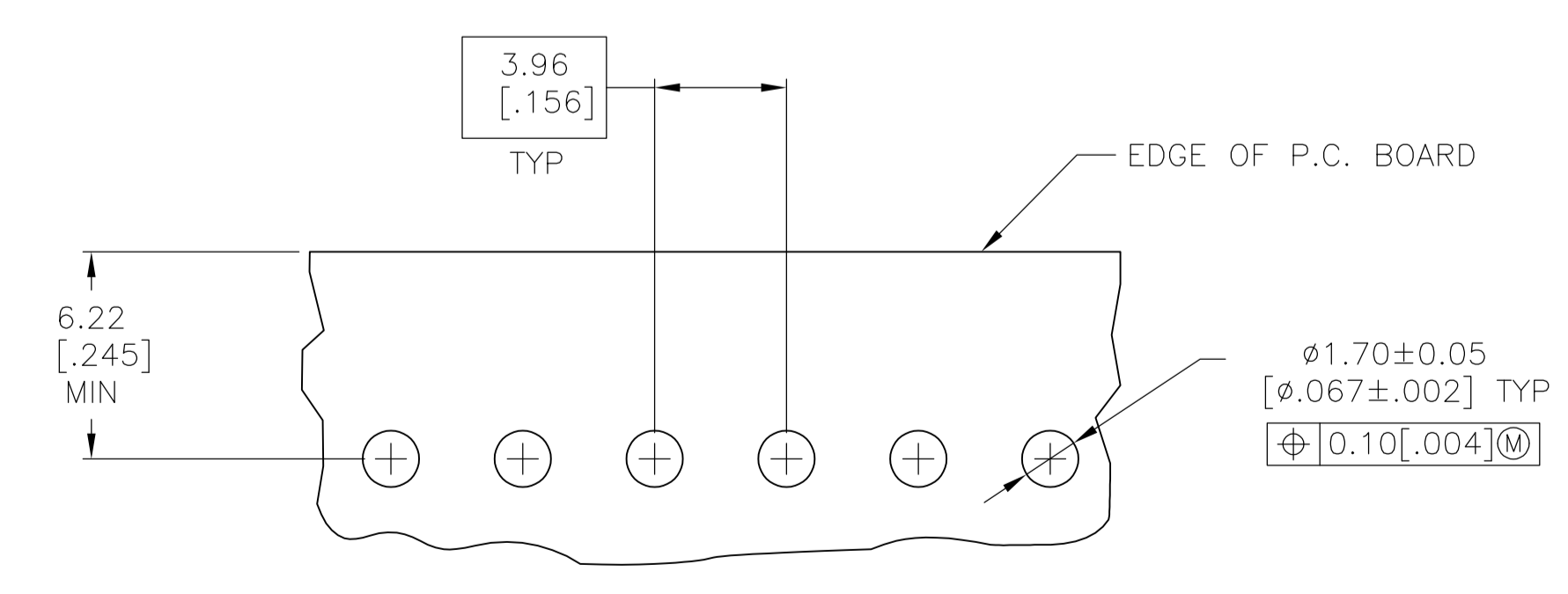
SOLDERTAIL



SECTION A-A



3-DIMENSIONAL MODEL NTS



RECOMMENDED MOUNTING HOLE PATTERN FOR 1.57[.062] THICK P.C. BOARD

- MATERIAL:  
HOUSING - THERMOPLASTIC POLYESTER, GLASS FILLED, UL94-0.  
POST - COPPER ALLOY
- FINISH:  
HOUSING - BLACK  
POST - SEE NOTES 12 AND 13.
- POST TO WITHSTAND 3LBS (16N) MIN AXIAL FORCE IN THIS DIRECTION WITHOUT DISLODGING.
- APPLIES AT -A-.
- APPLIES WHEN HEADER IS STRAIGHT.
- PLASTIC PROJECTIONS PERMITTED IN THIS ZONE.
- COORDINATE DIMENSIONS APPLIES FROM CENTER OF ACTUAL FEATURE.
- SOLDER SIDE OF BOARD IS SHOWN.
- POST SOLDER TAIL MUST COMPLY WITH AMP SOLDERABILITY SPEC 109-11-2.
- LATCH DETENT FEATURE APPEARS 1 PLACE ON EACH END OF PART (MAX OF 2 PER PART) ON ALL POSITIONS 4 THRU 12. THE LATCH APPEARS ONLY ONE PLACE ON 2 & 3 POSITION PARTS.
- DIMENSIONS IN BRACKETS ARE IN INCHES.
- MATTE TIN PLATE 0.00381 - 0.00889 [.000150 - .000350] THICK, OVER NICKEL UNDERPLATE 0.00127 [.000050] MIN THICK.
- MATTE TIN PLATE 0.00381 - 0.00889 [.000150 - .000350] THICK, OVER NICKEL UNDERPLATE 0.00127 [.000050] MIN THICK.
- OBSOLETE PARTS: OBSOLETE CIS STREAMLINING PER D.RENAUD/D.SINISI

13	49.94	1.966	12	3-647123-2		
	45.97	1.810	11	3-647123-1		
	42.01	1.654	10	3-647123-0		
	38.05	1.498	9	2-647123-9		
	34.09	1.342	8	2-647123-8		
	30.12	1.186	7	2-647123-7		
	26.16	1.030	6	2-647123-6		
	22.20	.874	5	2-647123-5		
	18.24	.718	4	2-647123-4		
	14.27	.562	3	2-647123-3		
	10.31	.406	2	2-647123-2		
	12	49.94	1.966	12	1-647123-2	
		45.97	1.810	11	1-647123-1	
		42.01	1.654	10	1-647123-0	
38.05		1.498	9	1-647123-9		
34.09		1.342	8	1-647123-8		
30.12		1.186	7	1-647123-7		
26.16		1.030	6	1-647123-6		
22.20		.874	5	1-647123-5		
18.24		.718	4	1-647123-4		
14.27		.562	3	1-647123-3		
10.31		.406	2	1-647123-2		
PLATING		MM	IN	NO. OF POSN	PART NUMBER	
		L DIM				

647123-6 SHOWN

OBSOLETE  
SUPERSEDED  
OBSOLETE  
OBSOLETE  
SUPERSEDED BY 2-647123-8  
OBSOLETE  
OBSOLETE  
OBSOLETE  
OBSOLETE  
OBSOLETE  
OBSOLETE

THIS DRAWING IS A CONTROLLED DOCUMENT.

DIMENSIONS: mm [INCHES]	TOLERANCES UNLESS OTHERWISE SPECIFIED:	DIN S CARPENTER 22JUL03	NAME
0 PLC ± -	1 PLC ± -	22JUL03	MTA-156 SHROUDED HEADER ASSEMBLY, STRAIGHT .045 SQUARE POST, TIN W/O RETENTION PEG
2 PLC ± -	3 PLC ± -	APVD D BOSSI 22JUL03	PRODUCT SPEC
4 PLC ± -	ANGLES ± -		APPLICATION SPEC
MATERIAL	FINISH	WEIGHT	SIZE
			A1 00779
CUSTOMER DRAWING		SCALE 5:1	SHEET 1 of 1

STE TE Connectivity

RESTRICTED TO G1

# Mouser Electronics

Authorized Distributor

Click to View Pricing, Inventory, Delivery & Lifecycle Information:

[TE Connectivity:](#)

[2-647123-6](#)