

NOTES:

1. MATERIALS AND FINISHES:

BODY - ZINC DIECAST, NICKEL PLATING
 CONTACT - PHOSPHOR BRONZE, GOLD PLATING
 INSULATOR - DELRIN, NATURAL
 LOCK WASHER & SOLDER TAG - BRASS, NICKEL PLATED
 HEX NUT - CARBON STEEL, NICKEL PLATED

2. ELECTRICAL:

A. IMPEDANCE: 50 OHM
 B. DIELECTRIC WITHSTANDING VOLTAGE: 1000 VRMS, MIN.

3. MECHANICAL:

A. DURABILITY: 500 CYCLES MIN.
 B. TEMPERATURE RANGE: -40°C TO +85°C

4. MAX. PANEL THICKNESS IS 3.3 MM

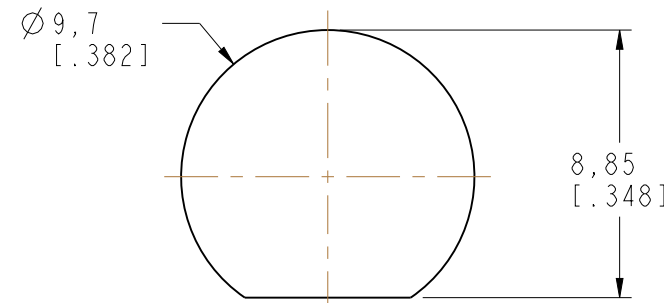
5. PACKAGING:

A. QUANTITY: SINGLE PACK
 B. BAG TO BE MARKED: AMPHENOL RF
 112575
 DATE CODE

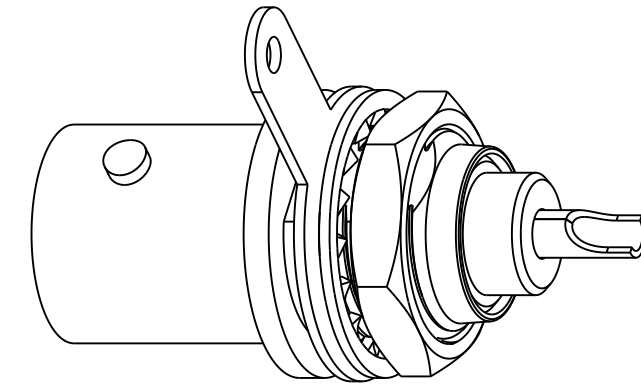
THIRD ANGLE PROJ.

REVISIONS

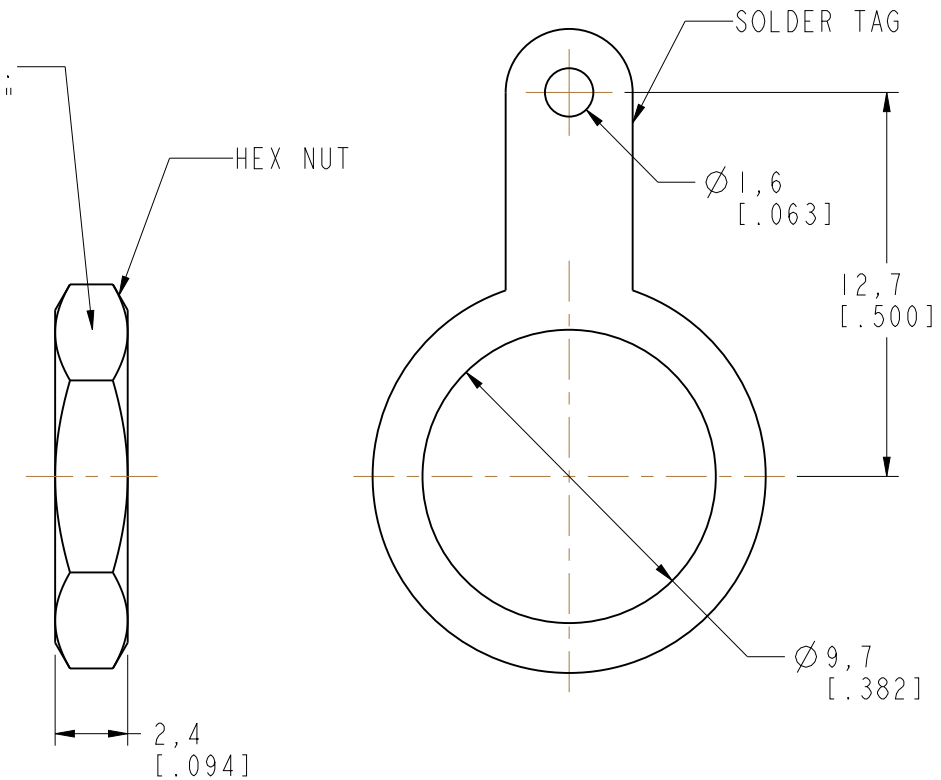
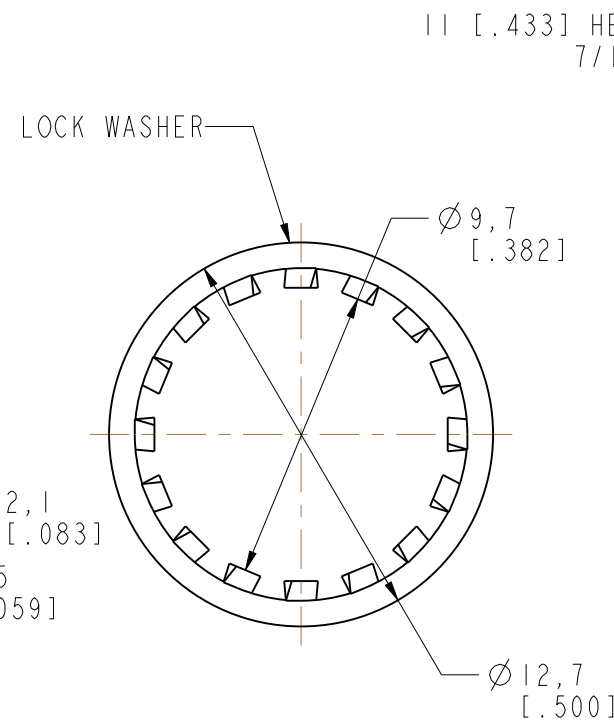
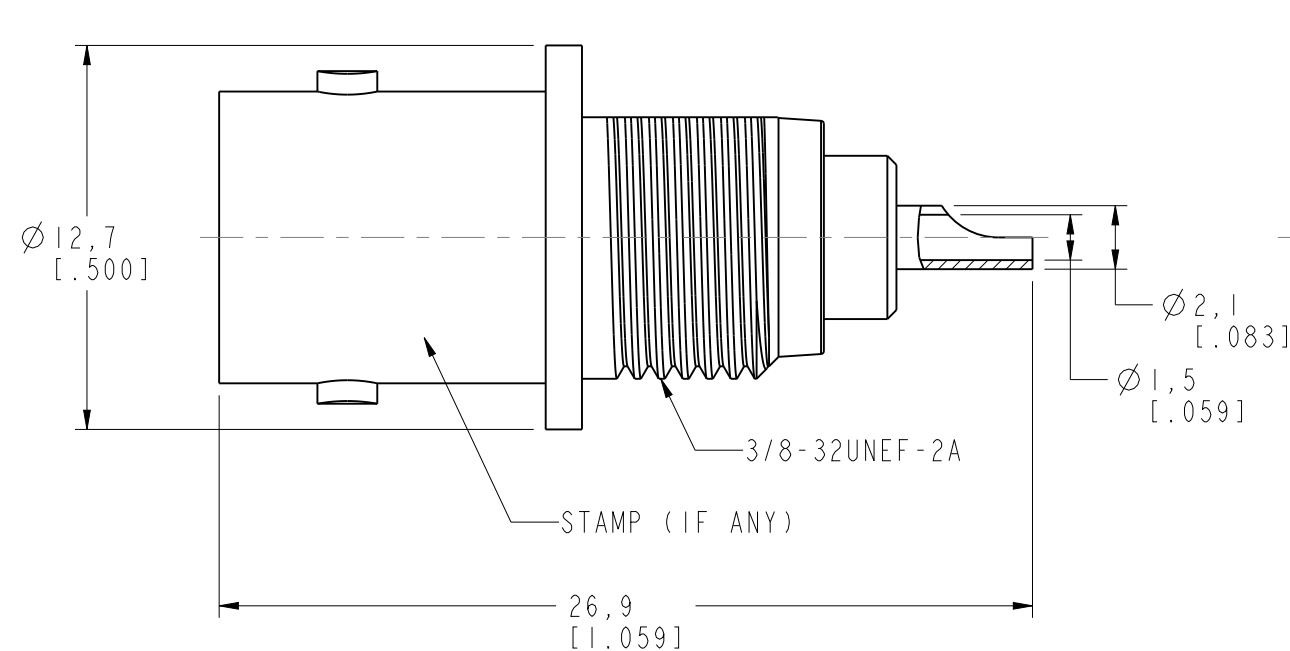
| REV | DESCRIPTION | DATE | ECO | APPR |
|-----|---|-----------|-------|------|
| A | RELEASE TO MFG. | 5/3/91 | 38063 | DR |
| B | UPDATE HEX NUT PART PLATING SPEC. | 13-Feb-15 | | SH |
| H | SEE SHEET I | 11/24/00 | 43339 | CPM |
| J | SYNC, UPDATE THE DRAWING FORMAT \RD-DMI6052501S2 | 13-Apr-16 | 00884 | SH |
| K | ADD PACKAGING INFORMATION IN NOTE5 \RD-DMI7021601S2 | 25-Oct-16 | 03103 | KEN |



RECOMMENDED MOUNTING HOLE DIMENSIONS



SCALE 3.000



CUSTOMER OUTLINE DRAWING

ALL OTHER SHEETS ARE FOR INTERNAL USE ONLY

UNLESS OTHERWISE SPECIFIED, DIMENSIONS ARE IN METRIC AND TOLERANCES ARE:
 <0.5mm ±0.05mm 0.5 - 6mm ±0.1mm 6 - 30mm ±0.2mm 30 - 120mm ±0.3mm ANGLES ±1°

NOTICE - These drawings, specifications, or other data (1) are, and remain the property of Amphenol corp. (2) must be returned upon request; and (3) are confidential and not to be disclosed to any person other than those to whom they are given by Amphenol Corp. the furnishing of these drawings, specifications, or other data by Amphenol Corp., or to any other person to anyone for any purpose is not to be regarded by implication or otherwise in any manner licensing, granting rights to permitting such holder or any other person to manufacture, use or sell any product, process or design, patented or otherwise, that may in any way be related to or disclosed by said drawings, specifications, or other data.

| | | | | | | |
|--|---------------------|-------------------|---------------------------------------|--------------|-----------------------------------|--------------------------|
| MATERIAL | DRAWN S.DUAN | DATE 23-Feb-17 | TITLE BNC BULKHEAD RECEPTACLE JACK | | Amphenol RF www.amphenolrf.com | |
| REFERENCE AND CONFIGURATION LEVEL: In Work | ENGINEER S.HSIEH | DATE 08-Sep-06 | | | | |
| FINISH | APPROVED S.HSIEH | DATE 27-Feb-17 | SCALE: 2.0:1.0 | SHEET 3 OF 3 | DRAWING NO. B6351D4-ND3G-50 | ITEM NO. 016351AAF0IND5F |
| | CAD FILE | | DWG SIZE B | REV K | PART NO. 112575 | |

Mouser Electronics

Authorized Distributor

Click to View Pricing, Inventory, Delivery & Lifecycle Information:

[Amphenol:](#)

[112575](#)