

The CSM-7X-3L is a low profile SMD Crystal with 3<sup>rd</sup> lead, and is ideal for applications that require a case ground

# CSM-7X-3L SMD CRYSTAL

Request a Sample

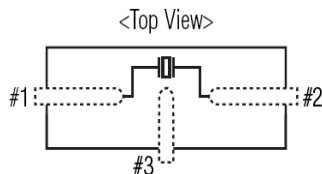
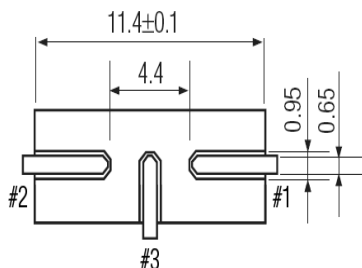
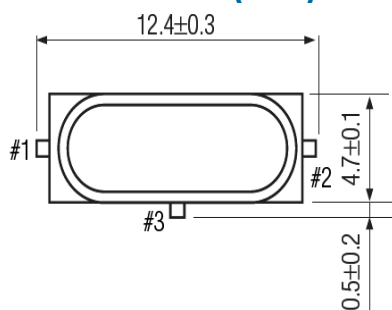


- Cost Effective
- Case Ground
- Extended Temp. Range Option
- Pb Free/RoHS Compliant

## OPERATING CONDITIONS / ELECTRICAL CHARACTERISTICS

PARAMETERS	CONDITIONS	CSM-7X-3L			UNITS
		MIN	TYP	MAX	
Frequency		3.57		70.000	MHz
Frequency Tolerance*	@ +25°C			± 30	ppm
Frequency Stability*	-10 ~ +70°C			± 50	ppm
Shunt Capacitance	Co			7	pF
Load Capacitance	Specify in P/N	10	20	Series	pF
Drive Level	DL			500	μW
Operating Temperature*	Topr	-10		+70	°C
Storage Temperature	Tstg	-55		+125	°C
Aging (First Year)	@ +25°C ±3°C			±5	ppm

### DIMENSIONS (mm)



Frequency (MHz)	ESR Ω Max.	Mode of Osc.
3.57 ~ 4.999	150	Fundamental
5.000 ~ 5.999	80	Fundamental
6.000 ~ 6.999	70	Fundamental
7.000 ~ 8.999	60	Fundamental
9.000 ~ 12.999	50	Fundamental
13.000 ~ 19.999	40	Fundamental
20.000 ~ 30.000	30	Fundamental
30.100 ~ 39.999	100	3 <sup>rd</sup> Overtone
40.000 ~ 70.000	80	3 <sup>rd</sup> Overtone

Pad Connections	
1	In/Out
2	Out/In
3	Gnd

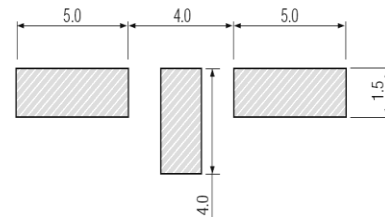


Figure 1) Top, Side, and Bottom

Crystal is symmetrical, pin 1 & 2 are interchangeable.

Figure 2) Suggested land

### PART NUMBERING GUIDE: Example ECS-200-20-5G3XDS-TR

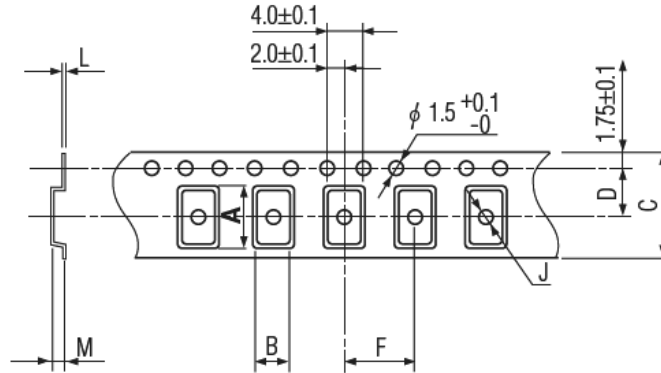
ECS - FREQUENCY ABBREVIATION	LOAD CAPACITANCE	PACKAGE	AVAILABLE OPTIONS			PACKAGING	
			Tolerance	Stability	Temp Range		
ECS	200 = 20.000 MHz See P/N Guide	20 = 20 pF S = Series	5G3X = CSM-7X-3L	Blank = Std A = ± 25 ppm J = ± 20 ppm R = ± 15 ppm C = ± 10 ppm	Blank = Std D = ± 100 ppm E = ± 50 ppm G = ± 30 ppm H = ± 25 ppm T = ± 20 ppm † W = ± 15 ppm † K = ± 10 ppm †	Blank = Std L = -10 ~ +70°C M = -20 ~ +70°C Y = -30 ~ +85°C N = -40 ~ +85°C P = -40 ~ +105°C S = -40 ~ +125°C U = -55 ~ +125°C	TR = Tape & Reel 1K/Reel

\* Specify available options in P/N.

† Contact ECS for availability over extended temp range.

Rev.2017

**POCKET TAPE DIMENSIONS (mm)**



A	B	C	D	F	J	L	M	Reel Dia.	Qty/Reel
14.0	5.0	24.0	11.5	8.0	1.5	0.4	4.4	330	1000pcs

**SOLDER PROFILE**

Peak solder Temp +260°C Max 10 sec Max.

2 Cycles Max.

MSL 1, Lead Finish Sn/Cu Matte

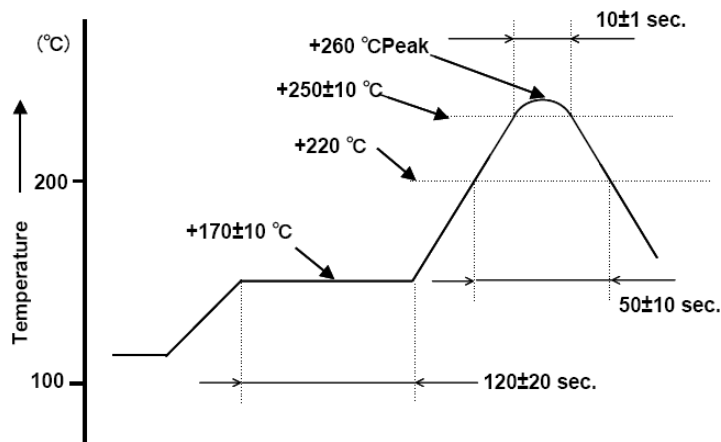


Figure 1) Suggested Reflow Profile

# Mouser Electronics

Authorized Distributor

Click to View Pricing, Inventory, Delivery & Lifecycle Information:

## ECS:

[ECS-36-20-5G3DS-TR](#) [ECS-143-20-5G3DS-TR](#) [ECS-98.3-20-5G3DS-TR](#) [ECS-240-20-5G3DS-TR](#) [ECS-147.4-20-5G3DS-TR](#) [ECS-200-20-5G3DS-TR](#) [ECS-160-20-5G3DS-TR](#) [ECS-184-20-5G3DS-TR](#) [ECS-35-20-5G3DS-TR](#) [ECS-100-20-5G3DS-TR](#) [ECS-270-20-5G3DS-F-TR](#) [ECS-110.5-20-5G3DS-TR](#) [ECS-120-32-5G3DS-TR](#) [ECS-245.7-20-5G3DS-TR](#) [ECS-122.8-20-5G3DS-TR](#) [ECS-80-20-5G3DS-TR](#) [ECS-60-20-5G3DS-TR](#) [ECS-40-20-5G3DS-TR](#) [ECS-250-20-5G3DS-F-TR](#) [ECS-120-18-5G3DS-TR](#) [ECS-40-20-5G3XDS-TR](#) [ECS-35-18-5G3XDS-TR](#) [ECS-250-20-5G3XDS-F-TR](#) [ECS-60-20-5G3XDS-TR](#) [ECS-200-20-5G3XDS-TR](#) [ECS-143-20-5G3XDS-TR](#) [ECS-100-20-5G3XDS-TR](#) [ECS-240-20-5G3XDS-TR](#) [ECS-160-20-5G3XDS-TR](#) [ECS-110.5-20-5G3XDS-TR](#) [ECS-122.8-20-5G3XDS-TR](#) [ECS-80-20-5G3XDS-TR](#) [ECS-120-18-5G3XDS-TR](#) [ECS-36-20-5G3XDS-TR](#) [ECS-300-20-5G3XDS-TR](#) [ECS-250-20-5G3X-A-E-N-TR](#) [ECS-184-20-5G3XDS-TR](#) [ECS-120-32-5G3XDS-TR](#) [ECS-98.3-20-5G3XDS-TR](#) [ECS-270-20-5G3XDS-F-TR](#) [ECS-147.4-20-5G3XDS-TR](#) [ECS-35-20-5G3XDS-TR](#) [ECS-49-18-5G3X-JGN-TR](#) [ECS-250-18-5G3X-JGN-TR](#) [ECS-40-18-5G3X-JGN-TR](#) [ECS-245.7-20-5G3XDS-TR](#) [ECS-120-18-5G3X-AGN-TR](#) [ECS-60-18-5G3X-JGN-TR](#) [ECS-80-18-5G3X-JGN-TR](#) [ECS-240-18-5G3X-JGN-TR](#) [ECS-36-18-5G3X-JGN-TR](#) [ECS-240-18-5G3X-JEN-TR](#) [ECS-35-18-5G3X-JGN-TR](#) [ECS-100-18-5G3X-JGN-TR](#) [ECS-120-18-5G3X-JGN-TR](#)