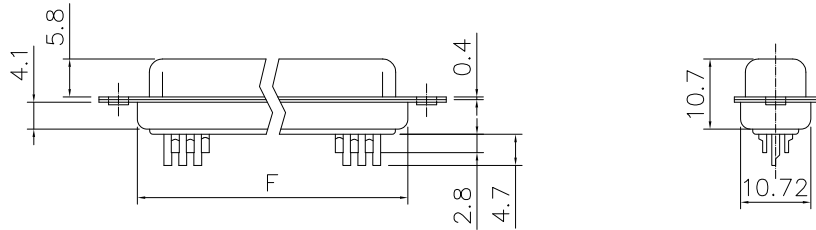
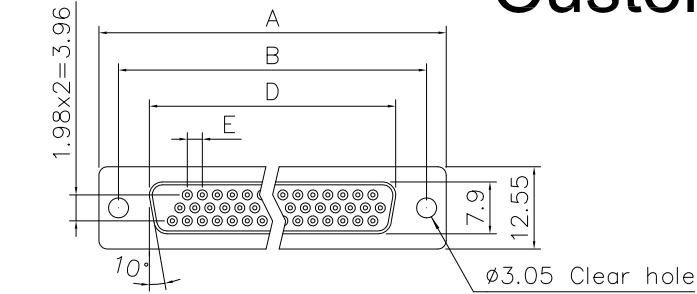
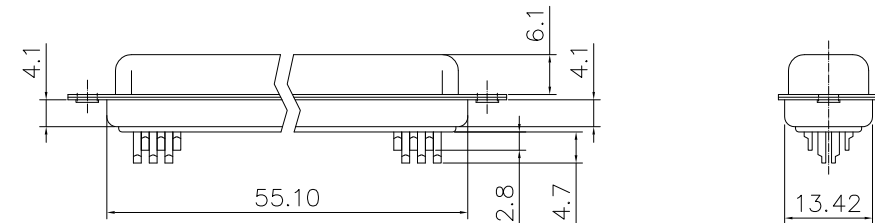
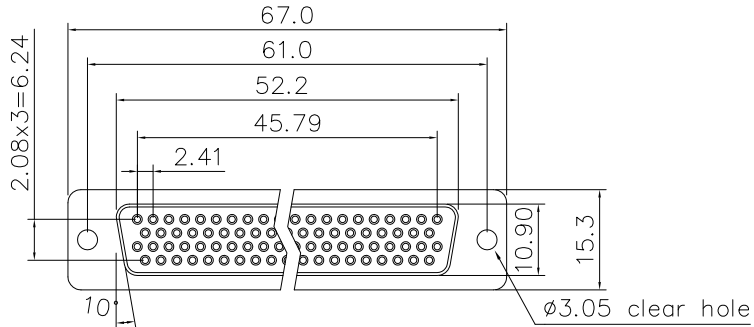


This document is the property of Amphenol Corporation and is delivered on the express condition that it is not to be disclosed, reproduced or used, in whole or in part, for manufacture or sale by anyone other than Amphenol Corporation without its prior consent, & that no right is granted to disclose or to use any information in this document.

Customer drawing



15,26,44,62 Positions



Dimensions

78 Positions

Positions	A	B	D	E	F
15	30.81	24.99	16.33	2.29	19.20
26	39.20	33.30	24.70	2.29	27.70
44	53.05	47.04	38.40	2.29	41.10
62	69.40	63.50	54.80	2.41	57.30

REVISIONS				
SYM	ECN	DESCRIPTION	DATE	APPROVED
1	HK--	Initial Release	06/18/08	IP
2	HK--	Add wire gauge	12/02/10	IP
3	HK--	Change dim. 30.84 to 30.81mm	08/27/13	IP

D-SUB TECHNICAL DATA

SHELL : Steel, 100u" Tin Over 50u" min nickel over 50u" min Copper
 BODY : Glass-Filled Thermoplastic PBT,UL94V-0 rated
 CONTACTS : Copper alloy
 Gold flash over 50u" nickel on mating area
 100u" tin over 50u" nickel on solder area
 ELECTRICAL : Voltage rating 250 VAC/RMS
 Current Rating :3 AMP
 Withstanding Voltage >1000 VAC/RMS
 Insulation resistance >1000 M Ohms
 Contact resistance 20 mOhms max
 Wire gauge : 24~28AWG
 MARKING : Amphenol...(Series No.)
 Commercial reference
 Manufacturing date

PRODUCT CODE

L 77 HD X XX S

L: RoHS Compliance

HD: high density

Shell Size :E,A,B,C,D

Contact type:
S: socket

Configuration:
15,26,44,62,78

UNLESS OTHERWISE SPECIFIED TOLERANCES		APPROVAL		DATE
U.S.	METRIC	DRAWN	Checked	DATE
.X +/-	0.50	Felix Liu		08/27/13
.XX +/-	0.30		Tony Tang	08/27/13
.XXX +/-	0.20	CHECKED		
FRACTIONS +/-				
ANGLES +/-	5°			
FOR MATERIALS AND FINISHES SEE NOTES		DRAWING FILE :		
REMOVE SHARP EDGES		ANGLE OF PROJECTION		
DIMENSIONS				
U.S.	INCHES			
METRIC	MM			

Amphenol		Amphenol East Asia Limited	
TITLE Solder cup type, HD Series			
SIZE	DRAWING NO.	REV.	
A4	C L77HDXXXS	3	
SCALE	NONE	SHEET 1 OF 1	

Mouser Electronics

Authorized Distributor

Click to View Pricing, Inventory, Delivery & Lifecycle Information:

[Amphenol:](#)

[L77HDA26S](#) [L77HDE15S](#) [L77HDC62S](#) [L77HDD78S](#)