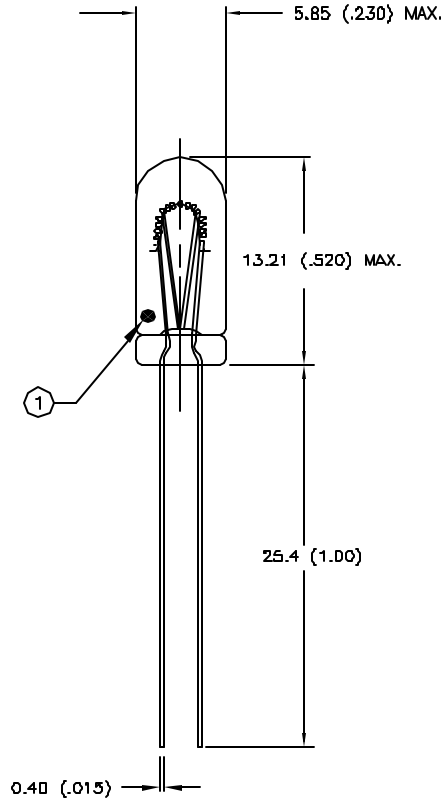


UNCONTROLLED DOCUMENT

REF: L06-0101-0015



PART NUMBER		REV.
IFL-LX81764-15UT		B
REV.	E.C.N. NUMBER AND REVISION COMMENTS	DATE
A	E.C.N. #10323./	3.17.97
B	E.C.N. #11148.	04.12.07

ELECTRO-OPTICAL SPECIFICATIONS

DESIGN VOLTAGE VDC OR VAC:	28V
CURRENT DRAW @ DESIGN VOLTS:	40mA
M.S.C.P. @ DESIGN VOLTS:	.34 MSCP
AVERAGE LIFE @ DESIGN VOLTS:	4,000 HRS.

MECHANICAL SPECIFICATIONS

BULB SIZE AND SHAPE:	T5.8 TUBULAR
BULB GLASS TYPE:	K912 SEMI SOFT
BASE OR LEAD FINISH:	UNTINNED
FILAMENT SHAPE:	C-2F
L.C.L. IF APPLICABLE:	N/A
MANUFACTURING PSS:	IFL/T 5.8 WTWL

ENVIRONMENTAL SPECIFICATIONS

VIBRATION TESTING:	MIL-E-5400N, GRAPH IV
SHOCK TEST:	MIL-STD-883 METHOD 2002 TEST CON A
OPERATING TEMPERATURE:	-50 TO +100 °C
STORAGE TEMPERATURE:	-50 TO +125 °C
SOLDERABILITY OF LEADS:	MIL-STD 202F, METHOD 208D

NOTES

- "WHITE" COLORED PAINT DOT.



UNCONTROLLED DOCUMENT

*UNLESS OTHERWISE SPECIFIED TOLERANCES PER DECIMAL PRECISION ARE: X=±1 (±0.038), XX=±0.5 (±0.020), XXX=±0.25 (±0.010), XXXX=±0.127 (±0.005). LEAD SIZE=±0.05 (±0.002), LEAD LENGTH=±0.75 (±0.030). MIN= +DECIMAL PRECISION -0.00, MAX= +0.00 -DECIMAL PRECISION

REV. B	PART NUMBER IFL-LX81764-15UT	<p>CONFIDENTIAL INFORMATION</p> <p>THE INFORMATION CONTAINED IN THIS DOCUMENT IS THE PROPERTY OF LUMEX INC. EXCEPT AS SPECIFICALLY AUTHORIZED IN WRITING BY LUMEX INC., THE HOLDER OF THIS DOCUMENT SHALL KEEP ALL INFORMATION CONTAINED HEREIN CONFIDENTIAL AND SHALL PROTECT SAME IN WHOLE OR IN PART FROM DISCLOSURE AND DISSEMINATION TO ALL THIRD PARTIES.</p> <p>RELIABILITY NOTE</p> <p>OUR MANY YEARS OF EXPERIENCE DATA ACCUMULATION INDICATE THAT SOLDER HEAT IS A MAJOR CAUSE OF EARLY AND FUTURE FAILURE. PLEASE PAY ATTENTION TO YOUR SOLDERING PROCESS.</p>	<p>290 E. HELEN ROAD PALATINE, IL 60067-6976 PHONE: +1.847.359.2790 US WEB: www.lumex.com TW WEB: www.lumex.com.tw</p>
T-1 3/4 WIRE TERMINAL LAMP WITH 25mm UNTINNED LEADS.		<p>DRAWN BY: jc</p>	<p>CHECKED BY:</p> <p>APPROVED BY: DATE: 12.6.96 PAGE: 1 OF 1 SCALE: N/A</p>

Mouser Electronics

Authorized Distributor

Click to View Pricing, Inventory, Delivery & Lifecycle Information:

[Lumex:](#)

[IFL-LX81764-15UT](#)