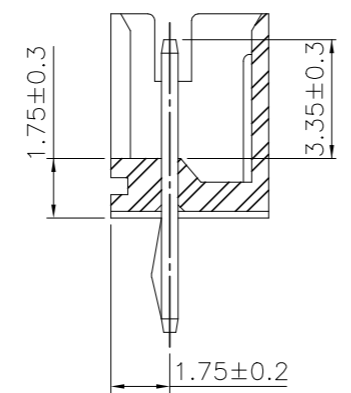
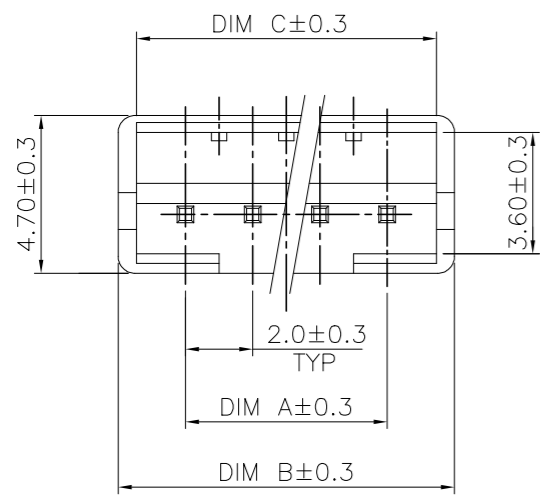
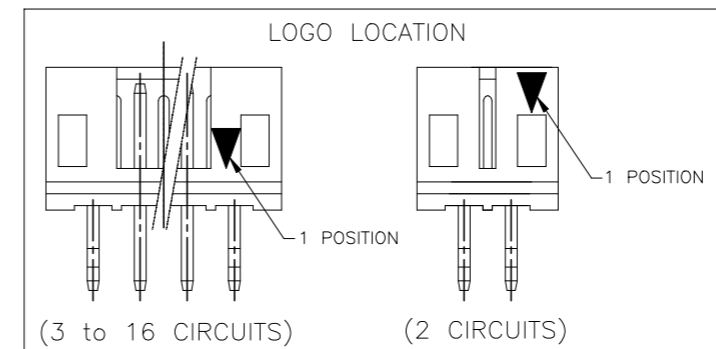
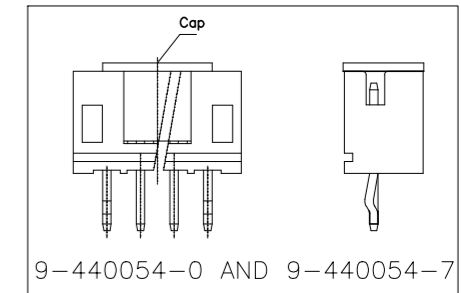


LOC DW	DIST	REVISIONS		
P	LTR	DESCRIPTION	DATE	DWN APVD
	F6	ECR-19-006475	24APR19	T.Q W.H



- NOTES:
 1. MATERIAL:
 HOUSING: NYLON 66, UL94V-0, COLOR: SEE TABLE.
 CONTACT: BRASS, THICKNESS=0.50mm.
 2. FINISH:
 2.03um[80u"] MIN. BRIGHT-TIN PLATING ON CONTACT.
 1.27um[50u"] MIN. NICKEL ENTIRE CONTACT UNDERPLATED.
 3. WAVE SOLDER CAPABLE TO 265°C PER TEST SPEC.
 109-202, CONDITION B.
 4. RAISED TYPE PN: 9-440054-2



TAPE REEL	NATURAL WHITE	14.90	16.00	12.00	7P	9-440054-7
POLY BAG	BROWN	10.90	12.00	8.00	5P	4-440054-1
		22.90	24.00	20.00	11P	9-440054-3
	GREEN	10.90	12.00	8.00	5P	9-440054-6
		8.90	10.00	6.00	4P	3-440054-1
		6.90	8.00	4.00	3P	440054-1
		18.90	20.00	16.00	9P	2-440054-1
	BLUE	16.90	18.00	14.00	8P	2-440054-0
		16.90	18.00	14.00	8P	8-440054-0
	RED	10.90	12.00	8.00	5P	8-440054-5
		8.90	10.00	6.00	4P	8-440054-4
		6.90	8.00	4.00	3P	8-440054-3
		4.90	6.00	2.00	2P	8-440054-2
BLACK	10.90	12.00	8.00	5P	6-440054-5	
	8.90	10.00	6.00	4P	6-440054-4	
	6.90	8.00	4.00	3P	6-440054-3	
	4.90	6.00	2.00	2P	6-440054-2	
YELLOW	24.90	26.00	22.00	12P	7-440054-6	
	22.90	24.00	20.00	11P	7-440054-5	
	20.90	22.00	18.00	10P	7-440054-4	
	18.90	20.00	16.00	9P	7-440054-3	
BLUE	16.90	18.00	14.00	8P	7-440054-2	
	14.90	16.00	12.00	7P	7-440054-1	
	12.90	14.00	10.00	6P	7-440054-0	
	10.90	12.00	8.00	5P	4-440054-5	
POLY BAG	NATURAL WHITE	8.90	10.00	6.00	4P	4-440054-4
		6.90	8.00	4.00	3P	4-440054-3
		4.90	6.00	2.00	2P	4-440054-2
		10.90	12.00	8.00	5P	2-440054-5
POLY BAG	NATURAL WHITE	8.90	10.00	6.00	4P	2-440054-4
		6.90	8.00	4.00	3P	2-440054-3
		4.90	6.00	2.00	2P	2-440054-2
		20.90	22.00	18.00	10P	9-440054-0
TUBE	RED	32.90	34.00	30.00	16P	5-440054-6
		30.90	32.00	28.00	15P	5-440054-5
		28.90	30.00	26.00	14P	5-440054-4
		26.90	28.00	24.00	13P	5-440054-3
	BLACK	24.90	26.00	22.00	12P	5-440054-2
		22.90	24.00	20.00	11P	5-440054-1
		20.90	22.00	18.00	10P	5-440054-0
		18.90	20.00	16.00	9P	3-440054-9
	YELLOW	16.90	18.00	14.00	8P	3-440054-8
		14.90	16.00	12.00	7P	3-440054-7
		12.90	14.00	10.00	6P	3-440054-6
		10.90	12.00	8.00	5P	3-440054-5
BLUE	8.90	10.00	6.00	4P	3-440054-4	
	6.90	8.00	4.00	3P	3-440054-3	
	4.90	6.00	2.00	2P	3-440054-2	
	18.90	20.00	16.00	9P	3-440054-9	
NATURAL WHITE	16.90	18.00	14.00	8P	3-440054-8	
	14.90	16.00	12.00	7P	3-440054-7	
	12.90	14.00	10.00	6P	3-440054-6	
	10.90	12.00	8.00	5P	3-440054-5	
POLY BAG	NATURAL WHITE	8.90	10.00	6.00	4P	440054-4
		6.90	8.00	4.00	3P	440054-3
		4.90	6.00	2.00	2P	440054-2
		18.90	20.00	16.00	9P	440054-9
TUBE	NATURAL WHITE	16.90	18.00	14.00	8P	440054-8
		14.90	16.00	12.00	7P	440054-7
		12.90	14.00	10.00	6P	440054-6
		10.90	12.00	8.00	5P	440054-5
POLY BAG	NATURAL WHITE	8.90	10.00	6.00	4P	440054-4
		6.90	8.00	4.00	3P	440054-3
		4.90	6.00	2.00	2P	440054-2
		18.90	20.00	16.00	9P	440054-9
TUBE	NATURAL WHITE	16.90	18.00	14.00	8P	440054-8
		14.90	16.00	12.00	7P	440054-7
		12.90	14.00	10.00	6P	440054-6
		10.90	12.00	8.00	5P	440054-5
POLY BAG	NATURAL WHITE	8.90	10.00	6.00	4P	440054-4
		6.90	8.00	4.00	3P	440054-3
		4.90	6.00	2.00	2P	440054-2
		18.90	20.00	16.00	9P	440054-9
TUBE	NATURAL WHITE	16.90	18.00	14.00	8P	440054-8
		14.90	16.00	12.00	7P	440054-7
		12.90	14.00	10.00	6P	440054-6
		10.90	12.00	8.00	5P	440054-5
POLY BAG	NATURAL WHITE	8.90	10.00	6.00	4P	440054-4
		6.90	8.00	4.00	3P	440054-3
		4.90	6.00	2.00	2P	440054-2
		18.90	20.00	16.00	9P	440054-9
TUBE	NATURAL WHITE	16.90	18.00	14.00	8P	440054-8
		14.90	16.00	12.00	7P	440054-7
		12.90	14.00	10.00	6P	440054-6
		10.90	12.00	8.00	5P	440054-5
POLY BAG	NATURAL WHITE	8.90	10.00	6.00	4P	440054-4
		6.90	8.00	4.00	3P	440054-3
		4.90	6.00	2.00	2P	440054-2
		18.90	20.00	16.00	9P	440054-9
TUBE	NATURAL WHITE	16.90	18.00	14.00	8P	440054-8
		14.90	16.00	12.00	7P	440054-7
		12.90	14.00	10.00	6P	440054-6
		10.90	12.00	8.00	5P	440054-5
POLY BAG	NATURAL WHITE	8.90	10.00	6.00	4P	440054-4
		6.90	8.00	4.00	3P	440054-3
		4.90	6.00	2.00	2P	440054-2
		18.90	20.00	16.00	9P	440054-9
TUBE	NATURAL WHITE	16.90	18.00	14.00	8P	440054-8
		14.90	16.00	12.00	7P	440054-7
		12.90	14.00	10.00	6P	440054-6
		10.90	12.00	8.00	5P	440054-5
POLY BAG	NATURAL WHITE	8.90	10.00	6.00	4P	440054-4
		6.90	8.00	4.00	3P	440054-3
		4.90	6.00	2.00	2P	440054-2
		18.90	20.00	16.00	9P	440054-9
TUBE	NATURAL WHITE	16.90	18.00	14.00	8P	440054-8
		14.90	16.00	12.00	7P	440054-7
		12.90	14.00	10.00	6P	440054-6
		10.90	12.00	8.00	5P	440054-5
POLY BAG	NATURAL WHITE	8.90	10.00	6.00	4P	440054-4
		6.90	8.00	4.00	3P	440054-3
		4.90	6.00	2.00	2P	440054-2
		18.90	20.00	16.00	9P	440054-9
TUBE	NATURAL WHITE	16.90	18.00	14.00	8P	440054-8
		14.90	16.00	12.00	7P	440054-7
		12.90	14.00	10.00	6P	440054-6
		10.90	12.00	8.00	5P	440054-5
POLY BAG	NATURAL WHITE	8.90	10.00	6.00	4P	440054-4
		6.90	8.00	4.00	3P	440054-3
		4.90	6.00	2.00	2P	440054-2
		18.90	20.00	16.00	9P	440054-9
TUBE	NATURAL WHITE	16.90	18.00	14.00	8P	440054-8
		14.90	16.00	12.00	7P	440054-7
		12.90	14.00	10.00	6P	440054-6
		10.90	12.00	8.00	5P	440054-5
POLY BAG	NATURAL WHITE	8.90	10.00	6.00	4P	440054-4
		6.90	8.00	4.00	3P	440054-3
		4.90	6.00	2.00	2P	440054-2
		18.90	20.00	16.00	9P	440054-9
TUBE	NATURAL WHITE	16.90	18.00	14.00	8P	440054-8
		14.90	16.00	12.00	7P	440054-7
		12.90	14.00	10.00	6P	440054-6
		10.90	12.00	8.00	5P	440054-5
POLY BAG	NATURAL WHITE	8.90	10.00	6.00	4P	440054-4
		6.90	8.00	4.00	3P	440054-3
		4.90	6.00	2.00	2P	440054-2
		18.90	20.00	16.00	9P	440054-9
TUBE	NATURAL WHITE	16.90	18.00	14.00	8P	440054-8
		14.90	16.00	12.00	7P	440054-7
		12.90	14.00	10.00	6P	440054-6
		10.90	12.00	8.00	5P	440054-5
POLY BAG	NATURAL WHITE	8.90	10.00	6.00	4P	440054-4
		6.90	8.00	4.00	3P	440054-3
		4.90	6.00	2.00	2P	440054-2
		18.90	20.00	16.00	9P	440054-9
TUBE	NATURAL WHITE	16.90	18.00	14.00	8P	440054-8
		14.90	16.00	12.00	7P	440054-7
		12.90	14.00	10.00	6P	440054-6
		10.90	12.00	8.00	5P	440054-5
POLY BAG	NATURAL WHITE	8.90	10.00	6.00	4P	440054-4
		6.90	8.00	4.00	3P	440054-3
		4.90	6.00	2.00	2P	440054-2
		18.90	20.00	16.00	9P	440054-9
TUBE	NATURAL WHITE	16.90	18.00	14.00	8P	440054-8
		14.90	16.00	12.00	7P	440054-7
		12.90	14.00	10.00	6P	440054-6
		10.90	12.00	8.00	5P	440054-5
POLY BAG	NATURAL WHITE	8.90	10.00	6.00	4P	440054-4
		6.90	8.00	4.00	3P	440054-3
		4.90	6.00	2.00	2P	440054-2
		18.90	20.00	16.00	9P	440054-9
TUBE	NATURAL WHITE	16.90	18.00	14.00	8P	440054-8
		14.90	16.00	12.00	7P	440054-7
		12.90	14.00	10.00	6P	440054-6
		10.90	12.00	8.00	5P	440054-5
POLY BAG	NATURAL WHITE	8.90	10.00	6.00	4P	440054-4
		6.90	8.00	4.00	3P	440054-3
		4.90	6.00	2.00	2P	440054-2
		18.90	20.00	16.00	9P	440054-9
TUBE	NATURAL WHITE	16.90	18.00	14.00	8P	440054-8
		14.90	16.00	12.00	7P	440054-7
		12.90	14.00			

4

3

2

1

THIS DRAWING IS UNPUBLISHED.

RELEASED FOR PUBLICATION

AUG ,2006.

© COPYRIGHT 2009 BY TYCO ELECTRONICS CORPORATION. ALL RIGHTS RESERVED.

LOC

DIST

REVISIONS

DW

P

LTR

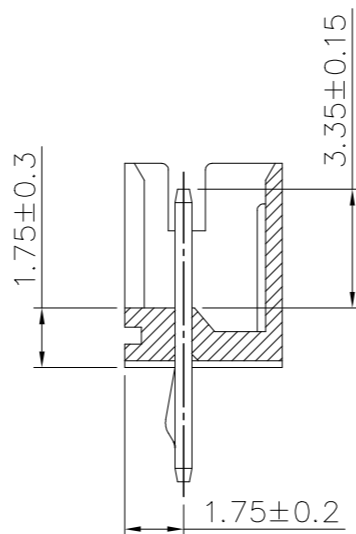
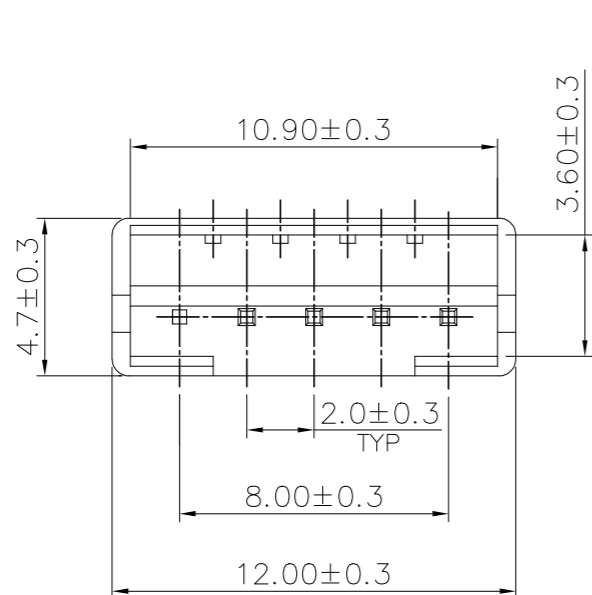
DESCRIPTION

DATE

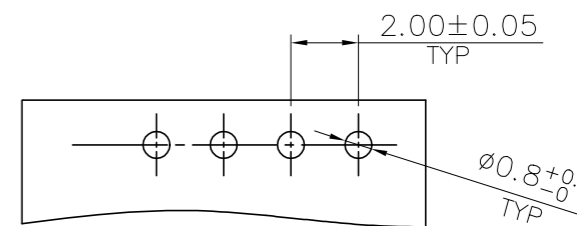
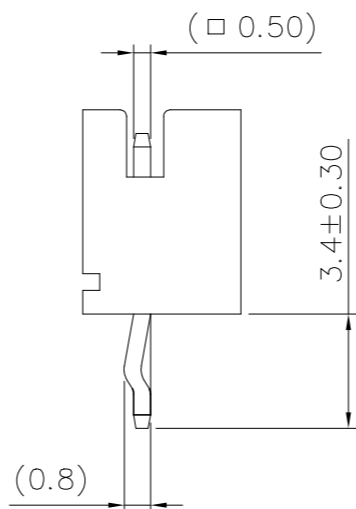
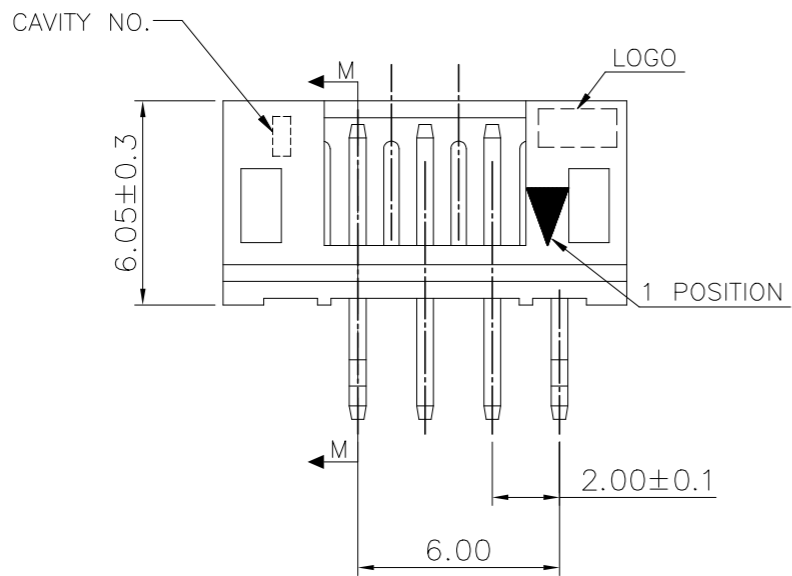
DWN

APVD

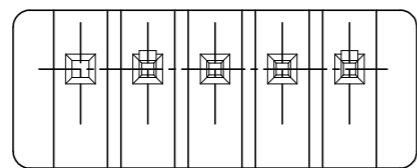
SEE SHEET 1.



SECTION M-M



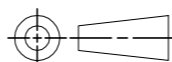
RECOMMENDED PCB LAYOUT
(PCB THK=1.0~1.6mm)



POLY BAG	NATURAL WHITE	PIN 5	4P	9-440054-5
PACKAGE	COLOR	PIN NUMBER LACKED	POS.	PART NUMBER

THIS DRAWING IS A CONTROLLED DOCUMENT.

DIMENSIONS:
MM



TOLERANCES UNLESS OTHERWISE SPECIFIED:

0 PLC	± -
1 PLC	± 0.3
2 PLC	± 0.2
3 PLC	± 0.15
4 PLC	± -
ANGLES	± 3'

MATERIAL

SEE NOTE
(PAGE 1.)

FINISH

SEE NOTE
(PAGE 1.)

DWN

CHK

APVD

PRODUCT SPEC

APPLICATION SPEC

WEIGHT

CUSTOMER DRAWING

STE TE Connectivity

NAME

2.0 MM PITCH HPI VERTICAL POST HEADERS

SIZE

CAGE CODE

DRAWING NO

RESTRICTED TO

A3

00779

C=440054

SCALE

SHEET

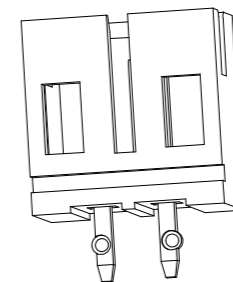
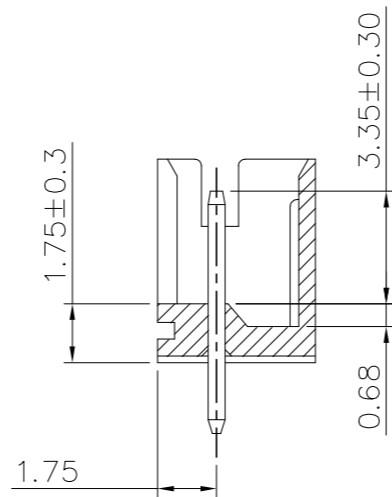
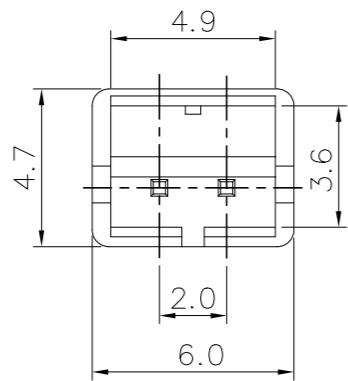
2 of 9

REV F6

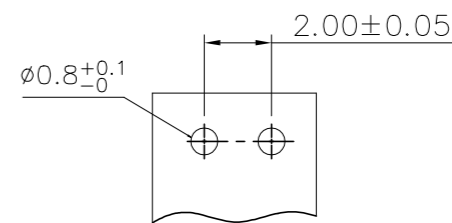
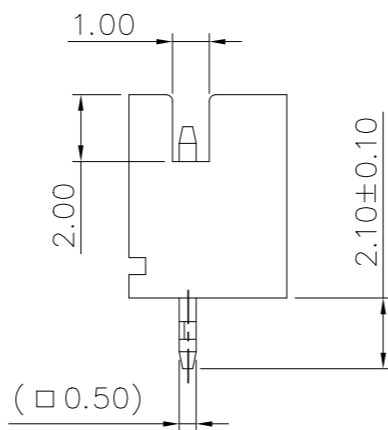
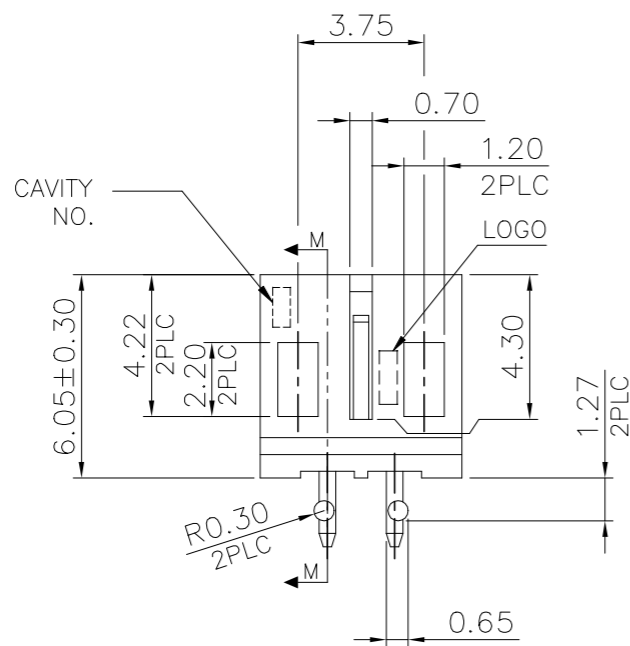
THIS DRAWING IS UNPUBLISHED. RELEASED FOR PUBLICATION AUG ,2006.

© COPYRIGHT 2009 BY TYCO ELECTRONICS CORPORATION. ALL RIGHTS RESERVED.

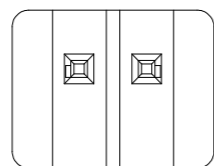
LOC		DIST		REVISIONS			
P	LTR	DESCRIPTION		DATE	DWN	APVD	
		SEE SHEET 1.					



SECTION M-M



RECOMMENDED PCB LAYOUT (PCB THK=1.0MM~1.6MM)

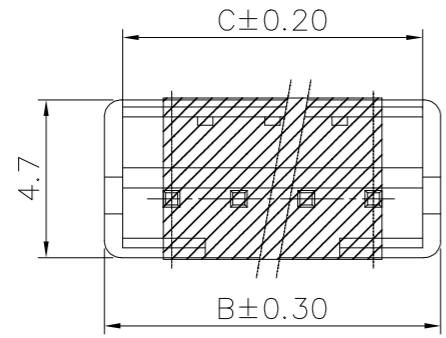


POLY BAG	NATURAL WHITE	2P	9-440054-2
PACKAGE	COLOR	POS.	PART NUMBER

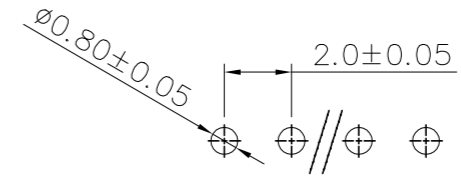
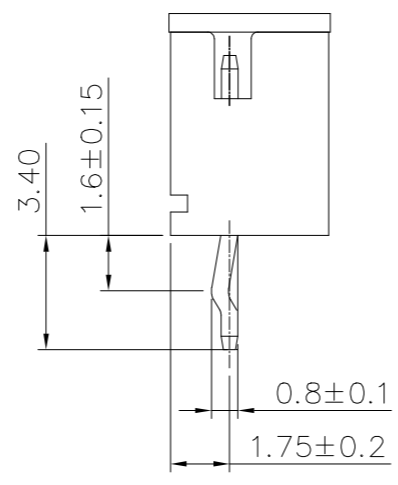
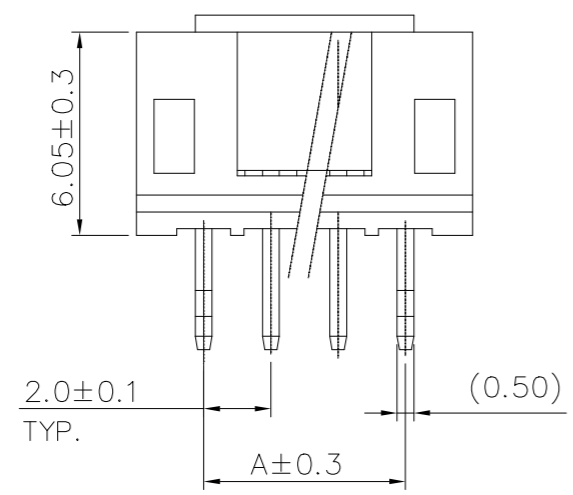
THIS DRAWING IS A CONTROLLED DOCUMENT.		DWN	STE TE Connectivity	
DIMENSIONS: MM		CHK		
TOLERANCES UNLESS OTHERWISE SPECIFIED:		APVD	NAME	
0 PLC ± -		PRODUCT SPEC	2.0 MM PITCH HPI VERTICAL POST HEADERS	
1 PLC ± 0.3		APPLICATION SPEC	SIZE	CAGE CODE
2 PLC ± 0.2		WEIGHT	A3	00779
3 PLC ± 0.15		CUSTOMER DRAWING	DRAWING NO. C=440054	
4 PLC ± -		SCALE	RESTRICTED TO	
ANGLES ± 3'		SHEET	3 OF 9	
MATERIAL SEE NOTE (PAGE 1.)	FINISH SEE NOTE (PAGE 1.)	REV	F6	

THIS DRAWING IS UNPUBLISHED. RELEASED FOR PUBLICATION AUG ,2006.
 © COPYRIGHT 2009 BY TYCO ELECTRONICS CORPORATION. ALL RIGHTS RESERVED.

LOC	DIST	REVISIONS			
P	LTR	DESCRIPTION	DATE	DWN	APVD
		SEE SHEET 1.			



- NOTES:
- MATERIAL:
HOUSING: NYLON 6T, UL94V-0, COLOR: SEE TABLE.
CONTACT: BRASS, THICKNESS=0.50mm.
 - FINISH:
2.03um[80u"] MIN. BRIGHT-TIN PLATING ON CONTACT.
1.27um[50u"] MIN. NICKEL ENTIRE CONTACT UNDERPLATED.
 - (SMT) REFLOW PROCESS NEED AFFORD 260°C.



RECOMMENDED PCB LAYOUT
(PCB THK=1.0MM~1.6MM)

WITHOUT	TAPE REEL	NATURAL WHITE	DIM C	DIM B	DIM A	POS	PART NUMBER
			8.90	10.00	6.00	4P	9-440054-1
WITH	TAPE REEL	NATURAL WHITE	8.90	10.00	6.00	4P	9-440054-4
CAP	PACKAGE	COLOR					

THIS DRAWING IS A CONTROLLED DOCUMENT.		DWN	STE TE Connectivity		
DIMENSIONS: MM		CHK			
TOLERANCES UNLESS OTHERWISE SPECIFIED:		APVD	NAME		
0 PLC ± -		PRODUCT SPEC	2.0 MM PITCH HPI VERTICAL POST HEADERS		
1 PLC ± 0.3		APPLICATION SPEC	SIZE	CAGE CODE	DRAWING NO
2 PLC ± 0.2		WEIGHT	A3	00779	C=440054
3 PLC ± 0.15		CUSTOMER DRAWING	SCALE	SHEET	REV
4 PLC ± -			-	4 OF 9	F6
ANGLES ± 3'					
MATERIAL	FINISH				
SEE NOTE (PAGE 1.)	SEE NOTE (PAGE 1.)				

THIS DRAWING IS UNPUBLISHED.

RELEASED FOR PUBLICATION

AUG ,2006.

© COPYRIGHT 2009 BY TYCO ELECTRONICS CORPORATION. ALL RIGHTS RESERVED.

LOC DW DIST

REVISIONS

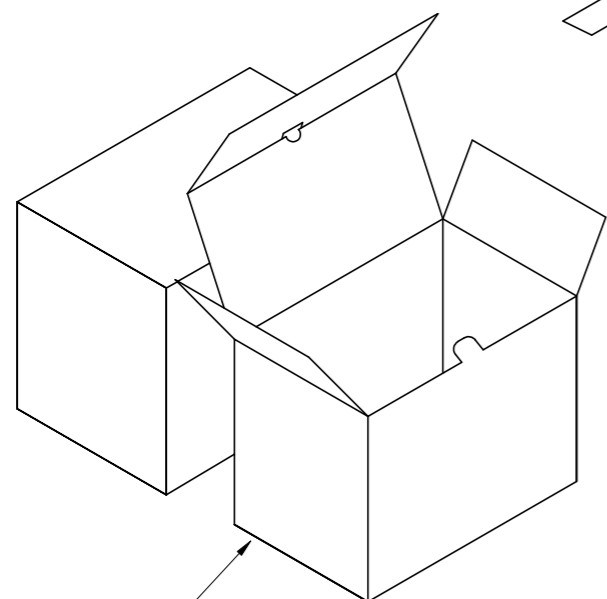
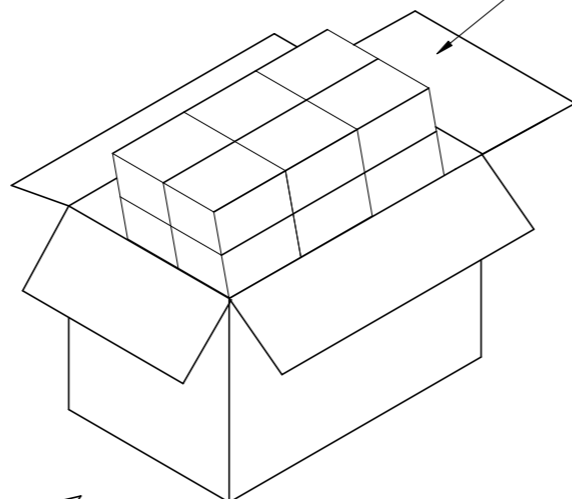
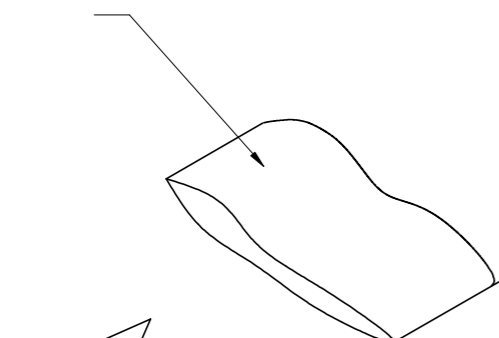
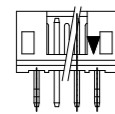
P	LTR	DESCRIPTION	DATE	DWN	APVD
		SEE SHEET 1.			

POLY BAG

CARTON

340mm(L)X 470mm(W)X 178mm(H)
(FOR HEADER 2P~5P ONLY)

340mm(L)X 470mm(W)X 365mm(H)
(FOR HEADER 6P~16P ONLY)



INEER BOX

320mm(L)X 220mm(W)X 155mm(H)

17,600	550	5P	4-440054-1
18,000	250	11P	9-440054-3
20,800	650	4P	3-440054-1
27,000	750	3P	440054-1
17,600	550	5P	8-440054-5
22,400	350	8P	2-440054-0
22,400	350	8P	8-440054-0
17,600	550	4P	9-440054-5
40,000	1,000	2P	9-440054-2
17,600	550	5P	8-440054-5
20,800	650	4P	8-440054-4
27,000	750	3P	8-440054-3
40,000	1,000	2P	8-440054-2
17,600	550	5P	6-440054-5
20,800	650	4P	6-440054-4
27,000	750	3P	6-440054-3
40,000	1,000	2P	6-440054-2
16,000	250	12P	7-440054-6
18,000	250	11P	7-440054-5
19,200	300	10P	7-440054-4
22,400	350	9P	7-440054-3
22,400	350	8P	7-440054-2
25,600	400	7P	7-440054-1
28,800	450	6P	7-440054-0
17,600	550	5P	4-440054-5
20,800	650	4P	4-440054-4
27,000	750	3P	4-440054-3
40,000	1,000	2P	4-440054-2
17,600	550	5P	2-440054-5
20,800	650	4P	2-440054-4
27,000	750	3P	2-440054-3
40,000	1,000	2P	2-440054-2
12,000	200	16P	1-440054-6
12,000	200	15P	1-440054-5
12,800	200	14P	1-440054-4
15,000	250	13P	1-440054-3
16,000	250	12P	1-440054-2
18,000	250	11P	1-440054-1
19,200	300	10P	1-440054-0
22,400	350	9P	440054-9
22,400	350	8P	440054-8
25,600	400	7P	440054-7
28,800	450	6P	440054-6
17,600	550	5P	440054-5
20,800	650	4P	440054-4
27,000	750	3P	440054-3
40,000	1,000	2P	440054-2
APQ	PPQ	POS.	PART NUMBER
(PCS/CARTON)	(PCS/BAG)		

THIS DRAWING IS A CONTROLLED DOCUMENT.

DIMENSIONS: MM	TOLERANCES UNLESS OTHERWISE SPECIFIED: 0 PLC ± - 1 PLC ± - 2 PLC ± - 3 PLC ± - 4 PLC ± - ANGLES ± -	DWN CHK APVD	TE Connectivity NAME 2.0 MM PITCH HPI VERTICAL POST HEADERS	
MATERIAL	FINISH	PRODUCT SPEC APPLICATION SPEC WEIGHT	SIZE A3	CAGE CODE 00779
		CUSTOMER DRAWING	DRAWING NO C=440054	RESTRICTED TO
		SCALE	SHEET 5 of 9	REV F6

4

3

2

1

THIS DRAWING IS UNPUBLISHED.

RELEASED FOR PUBLICATION

AUG ,2006.

© COPYRIGHT 2009 BY TYCO ELECTRONICS CORPORATION. ALL RIGHTS RESERVED.

LOC

DIST

REVISIONS

DW

P

LTR

DESCRIPTION

DATE

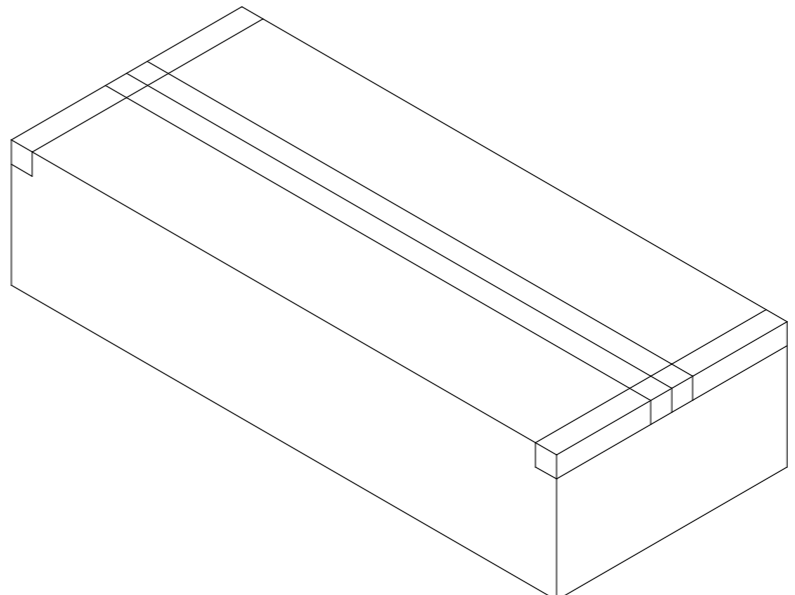
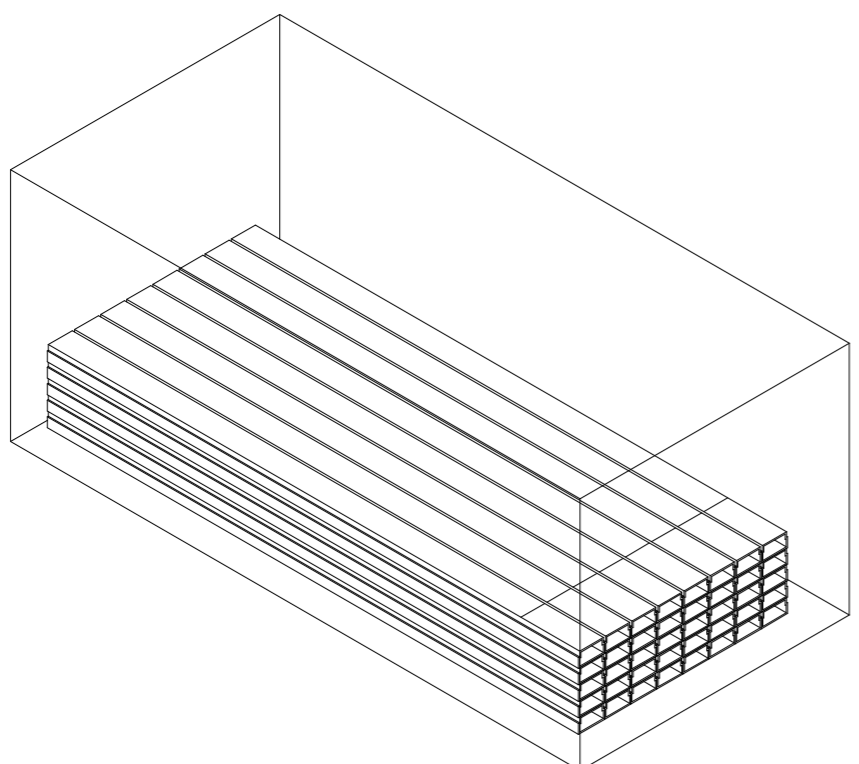
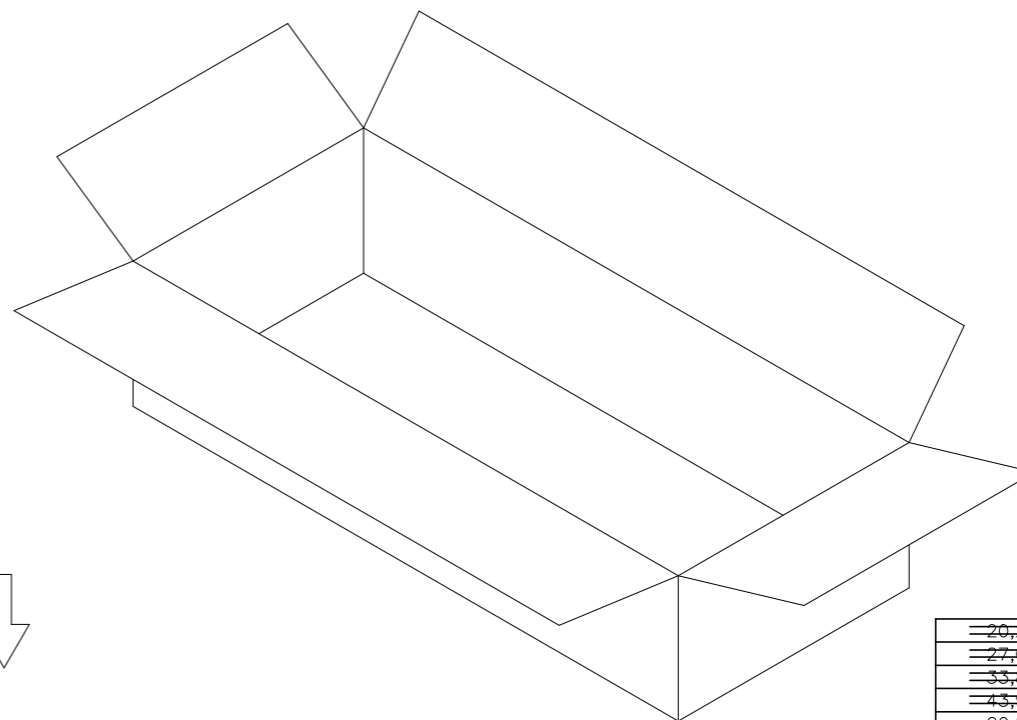
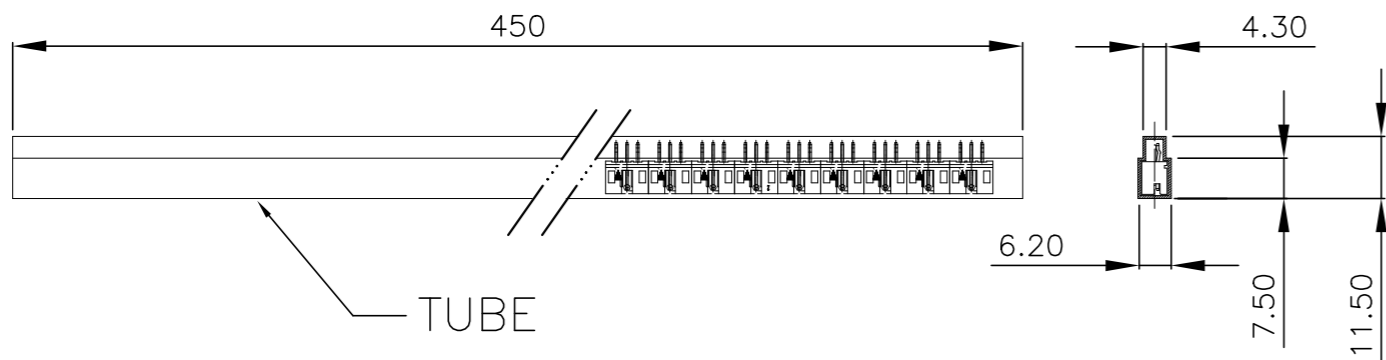
DWN

APVD

SEE SHEET 1.

CARTON

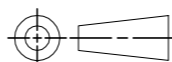
470 mm(L)X 340mm(W)X 178mm(H)



20,280	30	5P	8-440054-9
27,040	40	4P	8-440054-8
33,800	50	3P	8-440054-7
43,940	65	2P	8-440054-6
20,280	30	5P	6-440054-9
27,040	40	4P	6-440054-8
33,800	50	3P	6-440054-7
43,940	65	2P	6-440054-6
20,280	30	5P	4-440054-9
27,040	40	4P	4-440054-8
33,800	50	3P	4-440054-7
43,940	65	2P	4-440054-6
20,280	30	5P	2-440054-9
27,040	40	4P	2-440054-8
33,800	50	3P	2-440054-7
43,940	65	2P	2-440054-6
6,760	10	16P	5-440054-6
8,112	12	15P	5-440054-5
8,112	12	14P	5-440054-4
8,788	13	13P	5-440054-3
10,140	15	12P	5-440054-2
10,816	16	11P	5-440054-1
12,168	18	10P	5-440054-0
13,520	20	9P	3-440054-9
14,872	22	8P	3-440054-8
16,900	25	7P	3-440054-7
18,928	28	6P	3-440054-6
20,280	30	5P	3-440054-5
27,040	40	4P	3-440054-4
33,800	50	3P	3-440054-3
43,940	65	2P	3-440054-2
APQ	PPQ	POS.	PART NUMBER
(PCS/CARTON)	(PCS/TUBE)		

THIS DRAWING IS A CONTROLLED DOCUMENT.

DIMENSIONS:
MM



TOLERANCES UNLESS OTHERWISE SPECIFIED:

0 PLC ± -

1 PLC ± -

2 PLC ± -

3 PLC ± -

4 PLC ± -

ANGLES ± -

MATERIAL

FINISH

DWN

CHK

APVD

PRODUCT SPEC

APPLICATION SPEC

WEIGHT

CUSTOMER DRAWING



TE Connectivity

NAME

2.0 MM PITCH HPI VERTICAL POST HEADERS

SIZE

CAGE CODE

DRAWING NO

RESTRICTED TO

A3

00779

C=440054

SCALE

SHEET

6 OF 9

REV F6

4

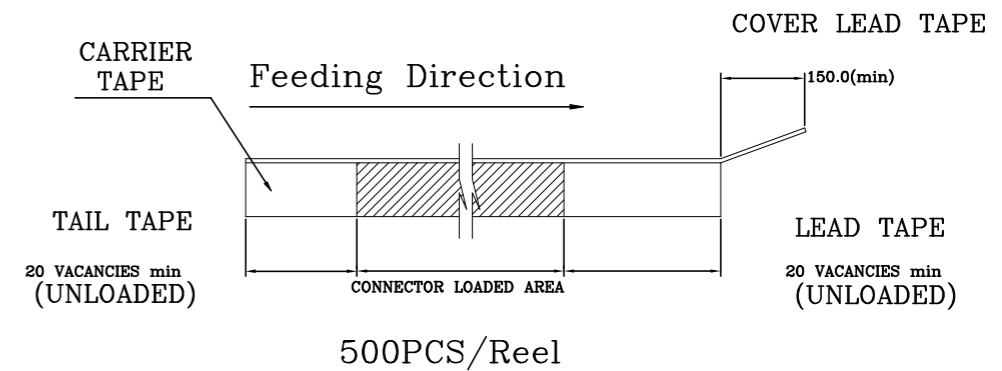
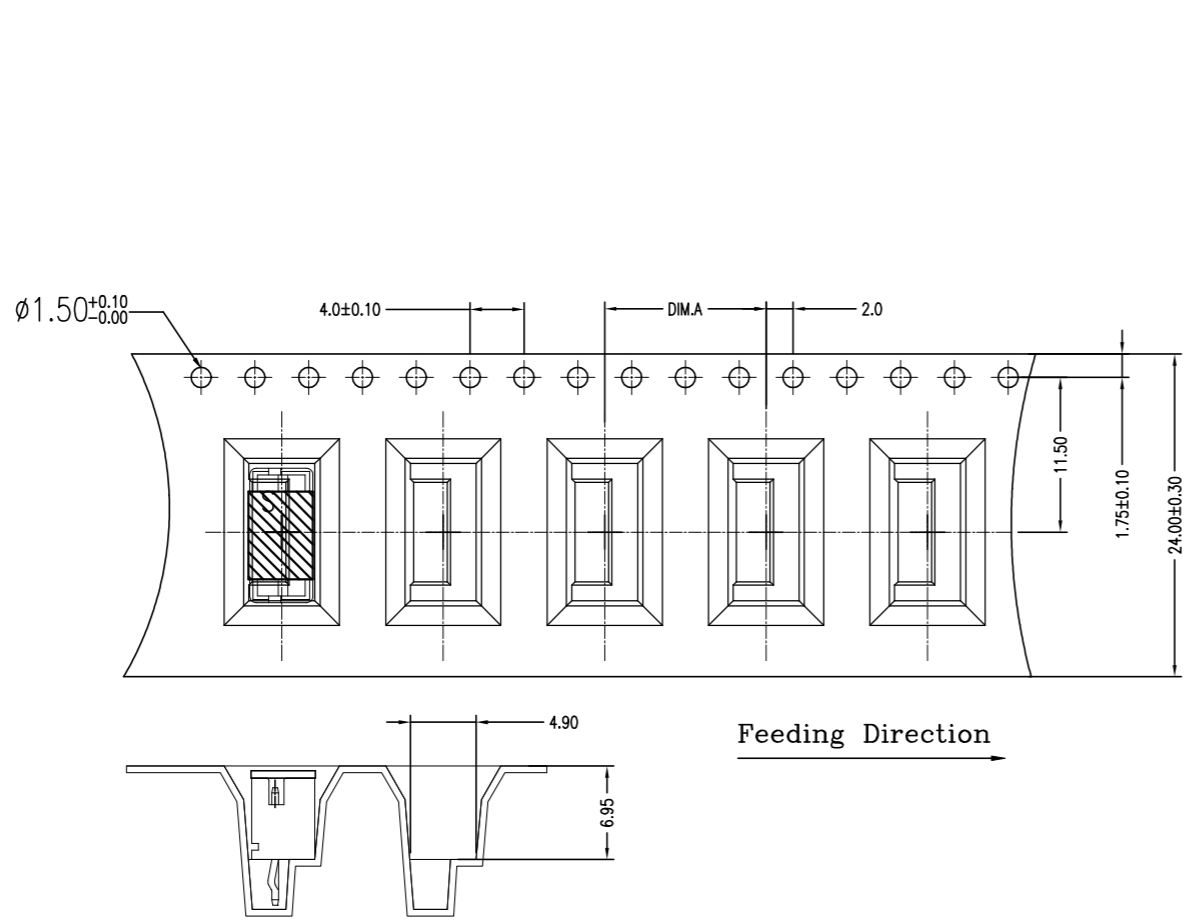
3

2

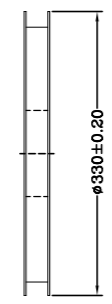
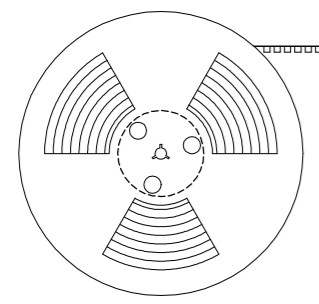
1

THIS DRAWING IS UNPUBLISHED. RELEASED FOR PUBLICATION AUG ,2006.
 © COPYRIGHT 2009 BY TYCO ELECTRONICS CORPORATION. ALL RIGHTS RESERVED.

LOC		DIST		REVISIONS			
P	LTR	DESCRIPTION		DATE	DWN	APVD	
		SEE SHEET 1.					



Feeding Direction →



12.0	WITH	2000	500	4P	9-440054-4
DIM.A	CAP	APQ (PCS/CARTON)	PPQ (PCS/REEL)	POS.	PART NUMBER

THIS DRAWING IS A CONTROLLED DOCUMENT.		DWN		TE Connectivity	
DIMENSIONS: MM		CHK			
TOLERANCES UNLESS OTHERWISE SPECIFIED:		APVD		NAME	
0 PLC ± -		PRODUCT SPEC		2.0 MM PITCH HPI VERTICAL POST HEADERS	
1 PLC ± -		APPLICATION SPEC		SIZE CAGE CODE DRAWING NO RESTRICTED TO	
2 PLC ± -		WEIGHT		A3 00779 C=440054	
3 PLC ± -		CUSTOMER DRAWING		SCALE SHEET 7 of 9 REV F6	
4 PLC ± -					
ANGLES ± -					
MATERIAL					
FINISH					

4

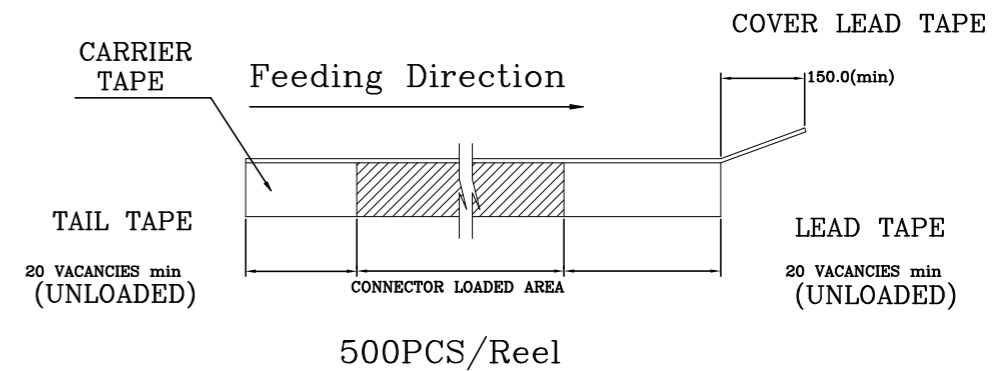
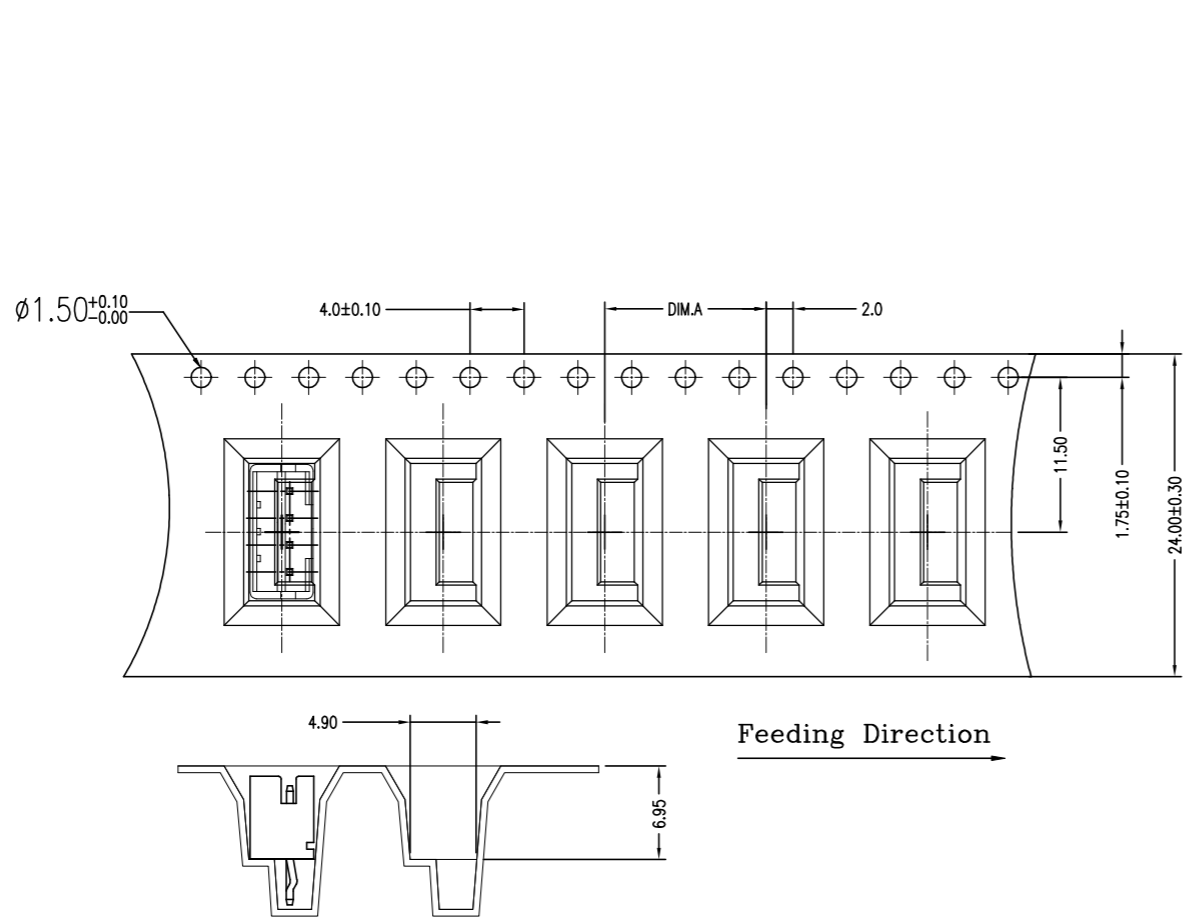
3

2

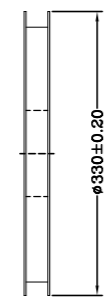
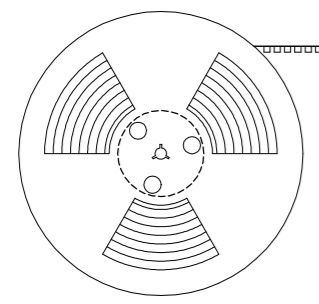
1

THIS DRAWING IS UNPUBLISHED. RELEASED FOR PUBLICATION AUG ,2006.
 © COPYRIGHT 2009 BY TYCO ELECTRONICS CORPORATION. ALL RIGHTS RESERVED.

LOC		DIST		REVISIONS			
P	LTR	DESCRIPTION		DATE	DWN	APVD	
		SEE SHEET 1.					



Feeding Direction →



16.0	WITHOUT	1800	450	4P	9-440054-1
DIM.A	CAP	APQ (PCS/CARTON)	PPQ (PCS/REEL)	POS.	PART NUMBER

THIS DRAWING IS A CONTROLLED DOCUMENT.		DWN		TE Connectivity	
DIMENSIONS: MM		CHK			
TOLERANCES UNLESS OTHERWISE SPECIFIED:		APVD		NAME	
0 PLC ± -		PRODUCT SPEC		2.0 MM PITCH HPI VERTICAL POST HEADERS	
1 PLC ± -		APPLICATION SPEC		SIZE CAGE CODE DRAWING NO RESTRICTED TO	
2 PLC ± -		WEIGHT		A3 00779 C=440054	
3 PLC ± -		CUSTOMER DRAWING		SCALE SHEET 8 of 9 REV F5	
4 PLC ± -					
ANGLES ± -					
MATERIAL					
FINISH					

4

3

2

1

THIS DRAWING IS UNPUBLISHED.

RELEASED FOR PUBLICATION

AUG ,2006.

© COPYRIGHT 2009 BY TYCO ELECTRONICS CORPORATION. ALL RIGHTS RESERVED.

LOC

DIST

REVISIONS

P

LTR

DESCRIPTION

DATE

DWN

APVD

SEE SHEET 1.

PULL OUT DIRECTION

REEL

330

12.0

1.75±0.1

B±0.30

10.75

CARRIER TAPE

Feeding Direction

COVER LEAD TAPE

150.0(min)

TAIL TAPE

20 VACANCIES min (UNLOADED)

CONNECTOR LOADED AREA

500PCS/Reel

LEAD TAPE

20 VACANCIES min (UNLOADED)

REEL

T1

T2

225±5

345±5

345±5

H(mm)	POS	B(mm)	PCS./REEL	PCS/CARTON-T2
225	10P	44	500 PCS.	500X4=2000PCS.
125	7P	32	500 PCS.	500X3=1500PCS.

NOTE:

9-440054-0 10POS WAVE SOLDER PART CAP TYPE.

Cap

Cap

32.0	1500	500	7P	9-440054-7
44.0	2000	500	10P	9-440054-0
B(mm)	APQ (PCS/CARTON)	PPQ (PCS/REEL)	POS.	PART NUMBER

THIS DRAWING IS A CONTROLLED DOCUMENT.

DWN

CHK

APVD

PRODUCT SPEC

APPLICATION SPEC

WEIGHT

CUSTOMER DRAWING

DIMENSIONS:

MM

TOLERANCES UNLESS OTHERWISE SPECIFIED:

0 PLC	± -
1 PLC	± -
2 PLC	± -
3 PLC	± -
4 PLC	± -
ANGLES	± -

MATERIAL

FINISH

TE Connectivity

NAME

2.0 MM PITCH HPI VERTICAL POST HEADERS

SIZE

CAGE CODE

DRAWING NO

RESTRICTED TO

A3

00779

C=440054

SCALE

SHEET

9 of 9

REV F6

AMP 1470-19 REV 31MAR2000