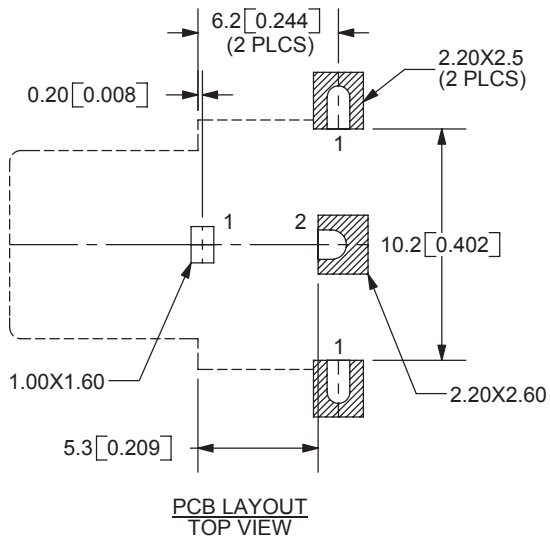
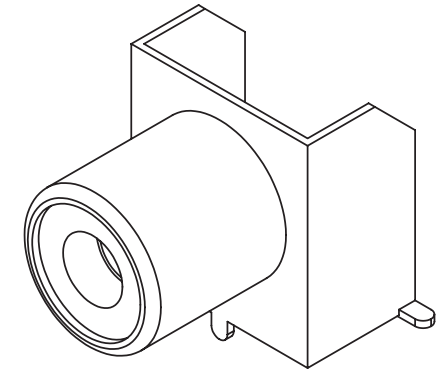
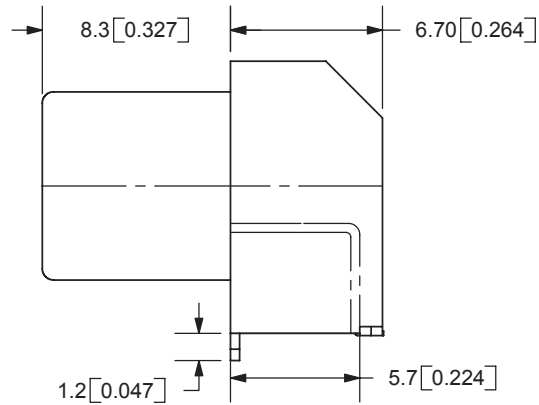
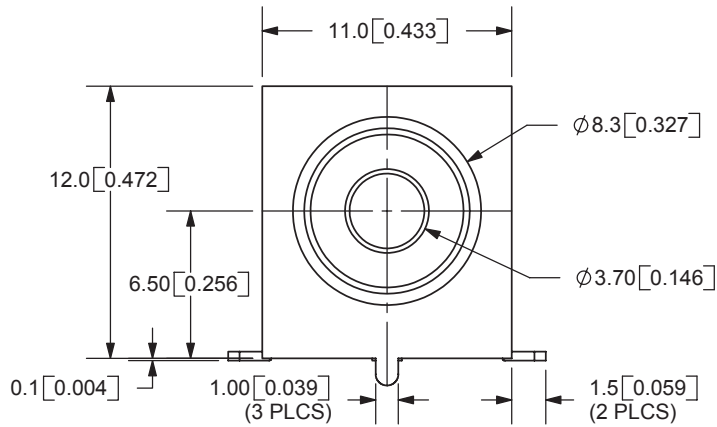


| REV. | DESCRIPTION             | DATE      |
|------|-------------------------|-----------|
| A    | NEW DRAWING             | 3/2/2006  |
| B    | added TR package option | 11/7/2012 |



|           |             |
|-----------|-------------|
| MODEL NO. | RCJ-01X-SMT |
| SCHEMATIC |             |

| COLOR INDEX |        |
|-------------|--------|
| PART NO.    | COLOR  |
| RCJ-011-SMT | Black  |
| RCJ-012-SMT | Red    |
| RCJ-013-SMT | White  |
| RCJ-014-SMT | Yellow |
| RCJ-017-SMT | Orange |

Note:  
Add suffix "-TR" to the model number for  
tape & reel packaging

TOLERANCE:  
X.X ±0.2mm  
X.XX ±0.1mm  
X.XXX ±0.05mm



20050 SW 112th Ave.  
Tualatin, OR 97062  
Phone: 503-612-2300  
800-275-4899  
Fax: 503-372-1266  
Website: www.cui.com

**SPECIFICATIONS:**  
CONTACT RESISTANCE: 25m OHMS MAX  
INSULATION RESISTANCE: 100M OHMS MIN: 500V DC  
VOLTAGE WITHSTAND: 500V AC R.M.S. FOR 1 MINUTE  
LIFE: 5,000 CYCLES  
OPERATING TEMP: -25° ~ +85°C

|                | MATERIAL   | PLATING |
|----------------|------------|---------|
| SHELL          | Brass      | Tin     |
| BRACKET        | C.R. Steel | Tin     |
| CENTER CONTACT | Brass      | Tin     |
| INSULATOR      | PA66       |         |

|                       |                    |
|-----------------------|--------------------|
| TITLE: SMD RCA SOCKET | REV: B             |
| PART NO. RCJ-01X-SMT  | UNITS: MM [INCHES] |
| DRAWN BY: ZRJ         | APPROVED BY:       |
|                       | SCALE: 3:1         |

PC FILE NAME:  
RCJ-01X-SMT

COPYRIGHT 2012 BY CUI INC.