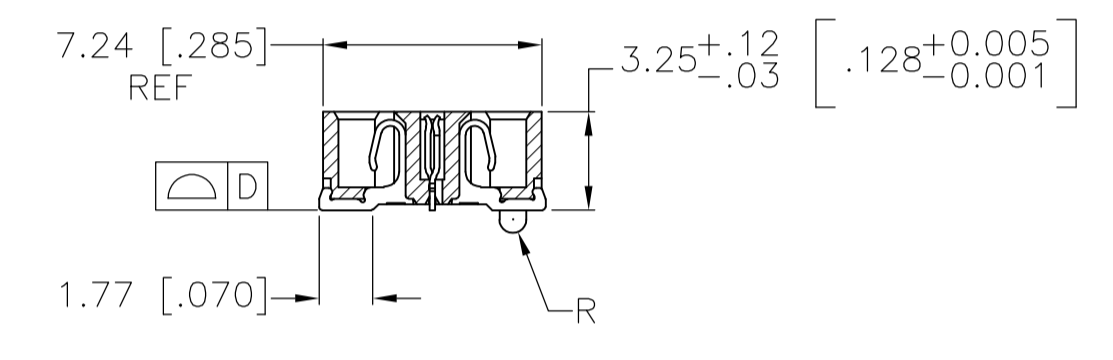
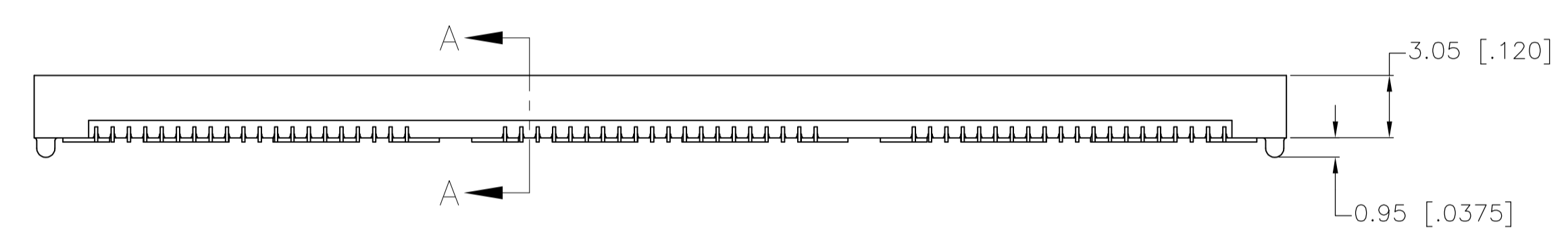
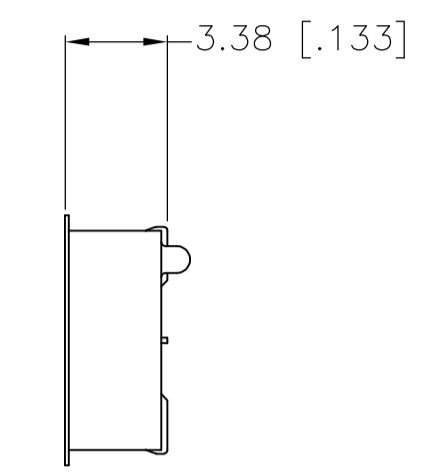
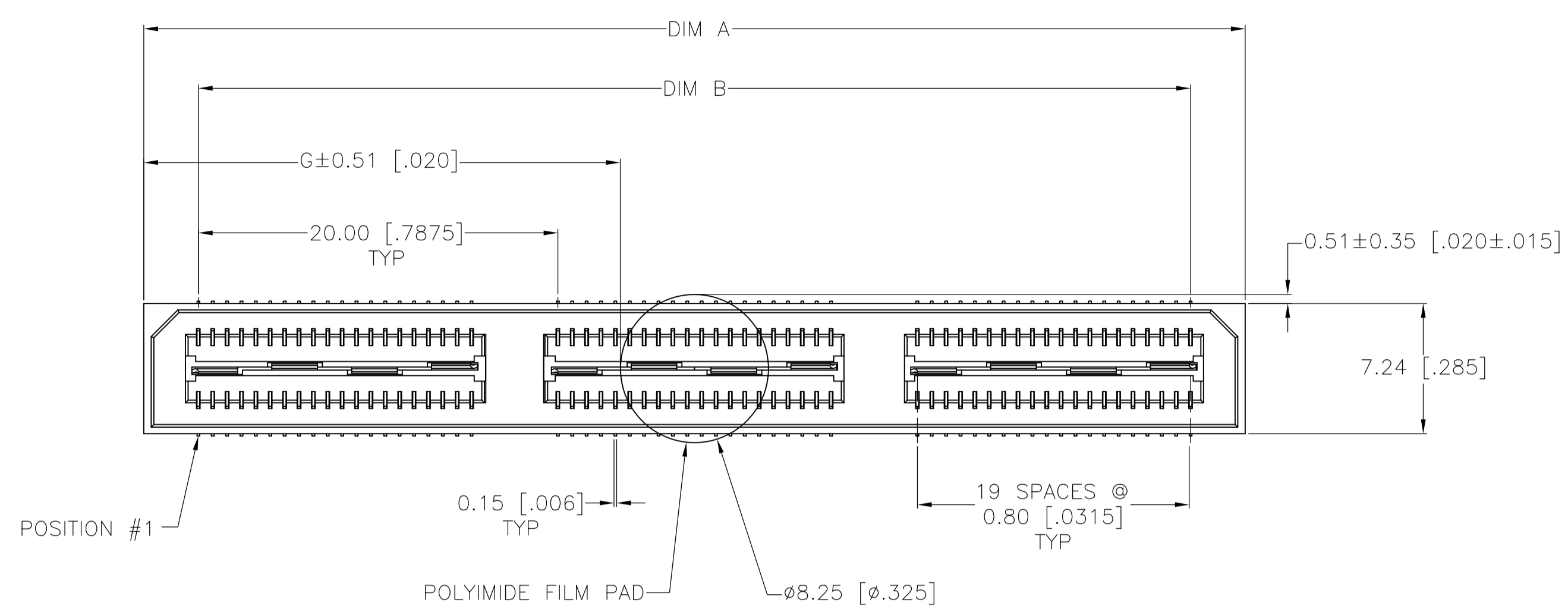
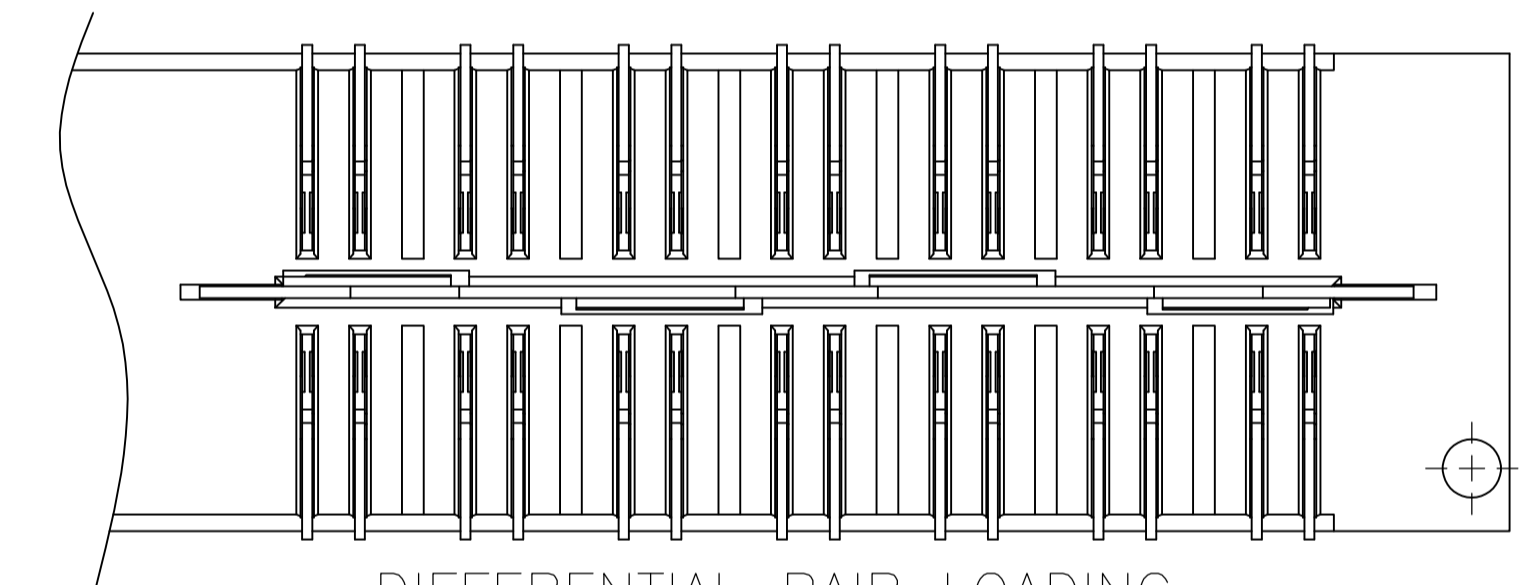
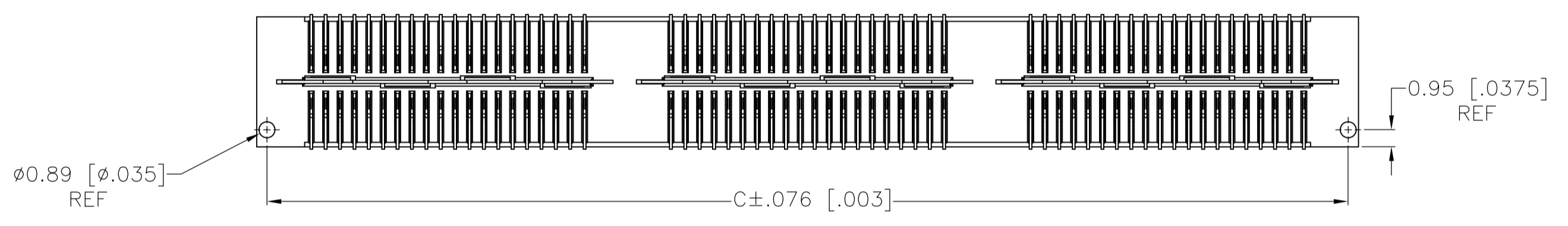


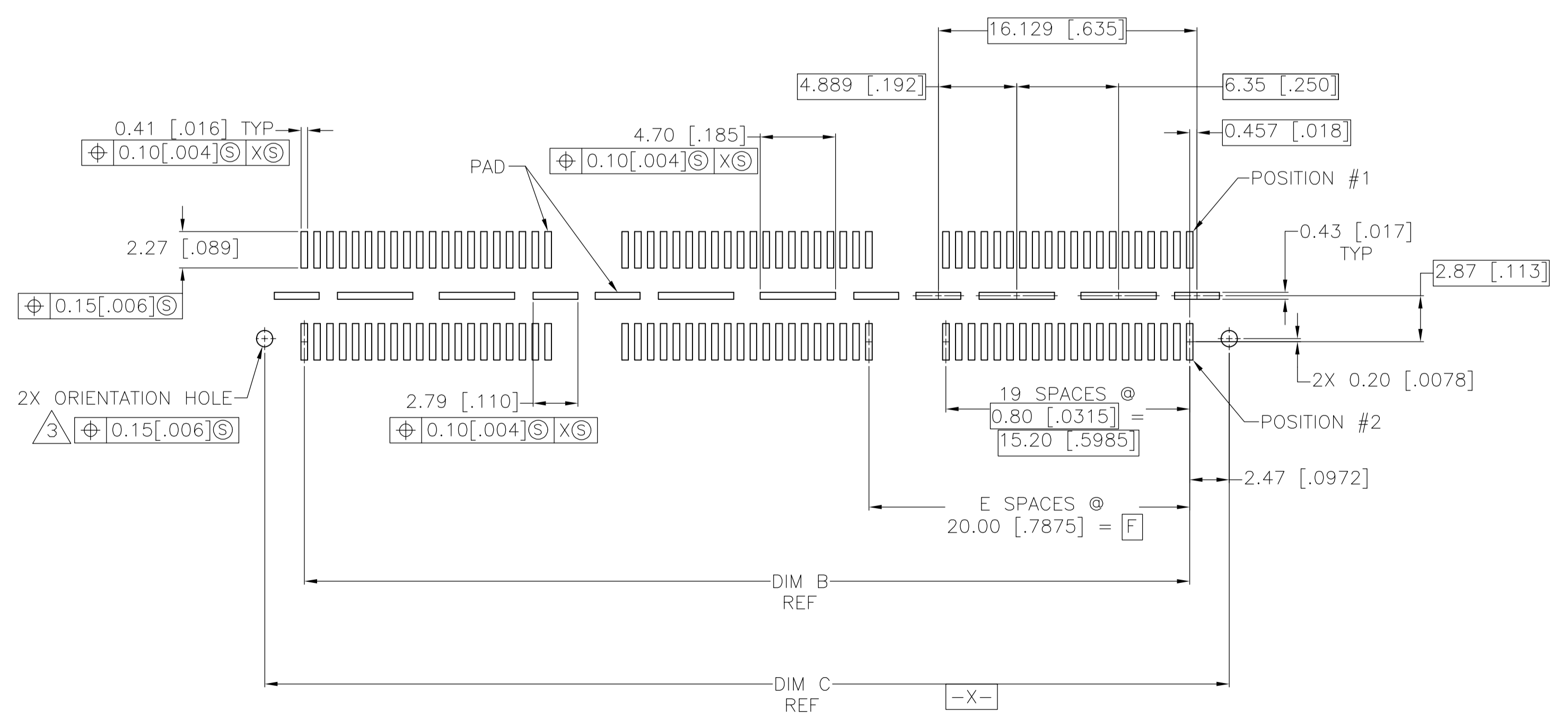
- 1 HOUSING: LCP, BLACK.
CONTACT & GROUND PLANE: PHOS BRONZE.
- 2 CONTACT PLATING: SELECT 0.25 MICROMETERS (.00010 IN) MIN. GOLD.
- 3 FOR STANDARD APPLICATIONS, ORIENTATION HOLE TO BE $\phi 1.02$ [$\phi 0.400$].
- 4 OBSOLETE PARTS: OBSOLETE CIS STREAMLINING PER D.RENAUD/D.SINISI



SECTION A-A



DIFFERENTIAL PAIR LOADING (BOTTOM VIEW) SCALE 2:1



RECOMMENDED PC BOARD LAYOUT VIEWED FROM CONNECTOR SIDE

REV	DATE	DESCRIPTION	BY	APPV	REV	DATE	DESCRIPTION	BY	APPV
1	11MAR11	ECO-11-004835	RK	HMR	1	11MAR11	ECO-11-004835	RK	HMR

REV	DATE	DESCRIPTION	BY	APPV	REV	DATE	DESCRIPTION	BY	APPV
1	11MAR11	ECO-11-004835	RK	HMR	1	11MAR11	ECO-11-004835	RK	HMR

REV	DATE	DESCRIPTION	BY	APPV	REV	DATE	DESCRIPTION	BY	APPV
1	11MAR11	ECO-11-004835	RK	HMR	1	11MAR11	ECO-11-004835	RK	HMR

REV	DATE	DESCRIPTION	BY	APPV	REV	DATE	DESCRIPTION	BY	APPV
1	11MAR11	ECO-11-004835	RK	HMR	1	11MAR11	ECO-11-004835	RK	HMR

REV	DATE	DESCRIPTION	BY	APPV	REV	DATE	DESCRIPTION	BY	APPV
1	11MAR11	ECO-11-004835	RK	HMR	1	11MAR11	ECO-11-004835	RK	HMR

REV	DATE	DESCRIPTION	BY	APPV	REV	DATE	DESCRIPTION	BY	APPV
1	11MAR11	ECO-11-004835	RK	HMR	1	11MAR11	ECO-11-004835	RK	HMR

REV	DATE	DESCRIPTION	BY	APPV	REV	DATE	DESCRIPTION	BY	APPV
1	11MAR11	ECO-11-004835	RK	HMR	1	11MAR11	ECO-11-004835	RK	HMR

REV	DATE	DESCRIPTION	BY	APPV	REV	DATE	DESCRIPTION	BY	APPV
1	11MAR11	ECO-11-004835	RK	HMR	1	11MAR11	ECO-11-004835	RK	HMR

REV	DATE	DESCRIPTION	BY	APPV	REV	DATE	DESCRIPTION	BY	APPV
1	11MAR11	ECO-11-004835	RK	HMR	1	11MAR11	ECO-11-004835	RK	HMR

REV	DATE	DESCRIPTION	BY	APPV	REV	DATE	DESCRIPTION	BY	APPV
1	11MAR11	ECO-11-004835	RK	HMR	1	11MAR11	ECO-11-004835	RK	HMR

REV	DATE	DESCRIPTION	BY	APPV	REV	DATE	DESCRIPTION	BY	APPV
1	11MAR11	ECO-11-004835	RK	HMR	1	11MAR11	ECO-11-004835	RK	HMR

REV	DATE	DESCRIPTION	BY	APPV	REV	DATE	DESCRIPTION	BY	APPV
1	11MAR11	ECO-11-004835	RK	HMR	1	11MAR11	ECO-11-004835	RK	HMR

THIS DRAWING IS A CONTROLLED DOCUMENT.

DIMENSIONS: mm [INCHES]

TOLERANCES UNLESS OTHERWISE SPECIFIED:

0 PL	± .01
1 PL	± 0.3[.01]
2 PL	± 0.15[.005]
3 PL	± 0.05[.002]
4 PL	± .02

ANGLES: ± °

MATERIAL: 1

FINISH: 2

THIS DRAWING IS A CONTROLLED DOCUMENT.

DIN 180CT04

CMCMASTER 180CT04

DIXON 180CT04

DIXON 180CT04

DIXON 180CT04

NAME: RECEPTACLE ASSEMBLY, VERTICAL 0.80MM CL.

PRODUCT SPEC: -

APPLICATION SPEC: -

SIZE: A1

WEIGHT: -

CAGE CODE: 00779

DRAWING NO: 1658012

RESTRICTED TO: -

CUSTOMER DRAWING

SCALE: 4:1

SHEET: 1 OF 1

REV: M2

Mouser Electronics

Authorized Distributor

Click to View Pricing, Inventory, Delivery & Lifecycle Information:

[TE Connectivity:](#)

[6-1658012-2](#)