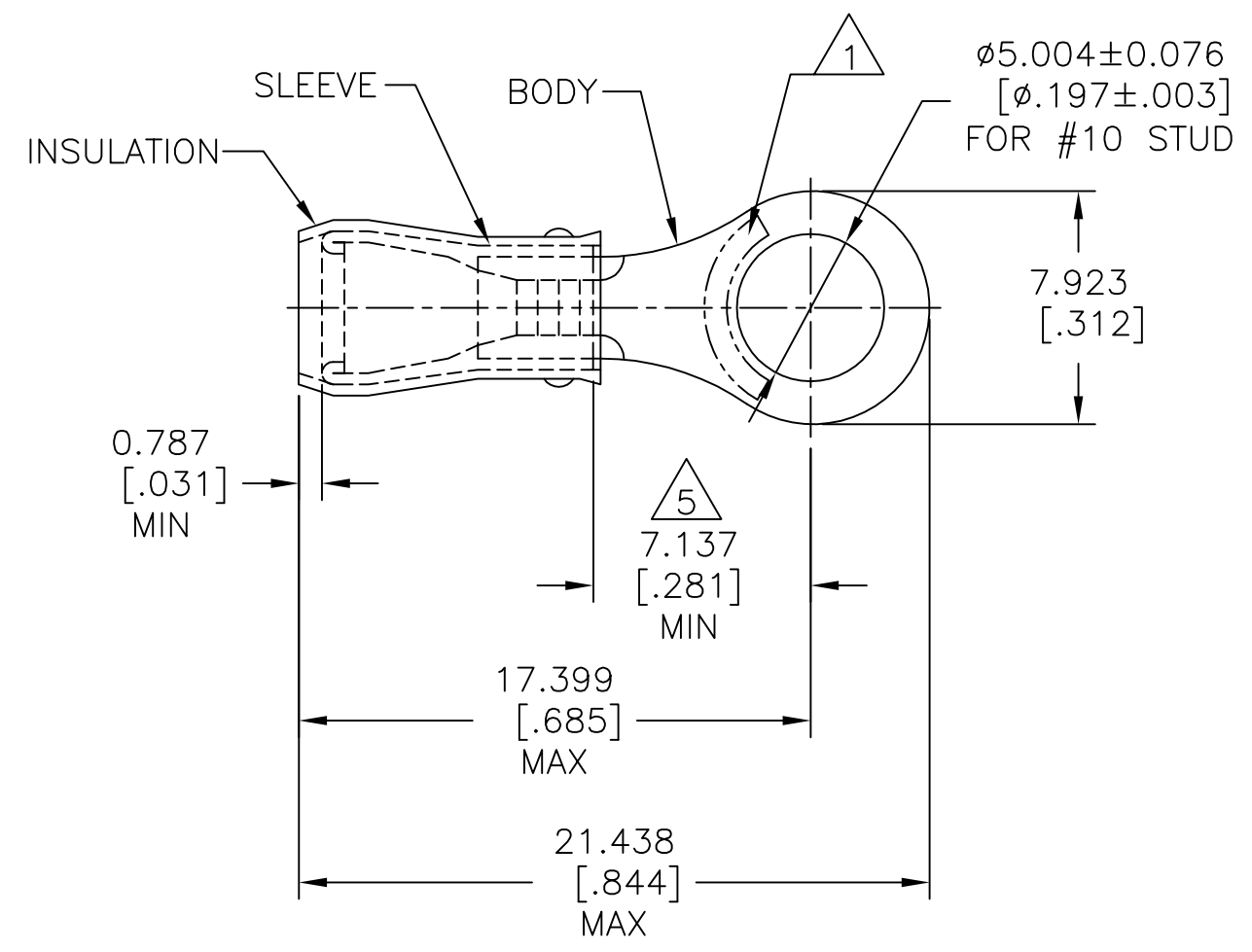


REVISIONS					
P	LTR	DESCRIPTION	DATE	DWN	APVD
	R1	REVISED PER ECO-11-004587	11MAR11	RK	HMR
	R2	REVISED PER ECO-18-000056	04JAN2018	RS	DR

AMP WIRE RANGE	Listed	LR7189 Certified
22-16 AWG SOLID OR STRANDED	22-16 AWG SOLID OR STRANDED	22-16 AWG SOLID OR STRANDED

- 1 STAMP AMP 22-18* APPROX AS SHOWN
22-16 TERMINALS ARE STAMPED 22-18 IN
ACCORDANCE WITH MILITARY SPEC SAE AS7928
COMMERCIAL WIRE RANGE IS 22-16
- 2 WIRE INSUL, $\phi 2.667-3.556$ [$\phi .105-.140$]
- 3 BODY MATERIAL THK, 0.787 ± 0.051 [$.031 \pm .002$]
- 4 NOTE DELETED.
- 5 APPLIES FROM CENTER OF STUD HOLE
TO EDGE OF METAL WIRE BARREL.



MILITARY P/N AND CLASS	QUANTITY	PACKAGE TYPE	PART NO
-	50	LOOSE PIECE, BAG	8-36154-5
-	100	LOOSE PIECE, BOX	8-36154-1
MS 25036-103 CLASS 2	5000	ON TAPE, REEL	2-36154-2
MS 25036-103 CLASS 1 & 2	1000	LOOSE PIECE	36154

AMP INCORPORATED CUSTOMER SERVICE SYSTEMS		MAX RECOMMENDED OPERATING TEMPERATURE: 105°C [221°F]	THIS DRAWING IS A CONTROLLED DOCUMENT.		DWN DK SCHRUM 02/16/93	TE Connectivity				
FOR ADDITIONAL PRODUCT INFORMATION OR COPIES OF DRAWINGS AND TECHNICAL DOCUMENTS	PRODUCT INFORMATION CENTER 1-800-522-6752	VOLTAGE RATING: 300 V MAX	DIMENSIONS: mm [INCHES]	TOLERANCES UNLESS OTHERWISE SPECIFIED:	CHK RE HERSEY 4/28/93					NAME TERMINAL, RING TONGUE, PIDG™, WIRE SIZE : 22-16 AWG
FOR APPLICATION TOOLING INFORMATION	TOOLING ASSISTANCE CENTER 1-800-722-1111	WIRE CROSS SECTIONAL AREA RANGE: 0.26-1.65mm² [509-3,260] CIR MILS SOLID OR STRANDED		0 PLC ± - 1 PLC ± - 2 PLC ± - 3 PLC ± 0.127[.005] 4 PLC ± - ANGLES ± -	APVD ML ELLIS 4/28/93	PRODUCT SPEC UL 486 A-B/SAE AS7928	SIZE	CAGE CODE	DRAWING NO	
FOR ORDER ENTRY	1-800-526-5142		MATERIAL BODY & SLEEVE: COPPER ASTM B-152 INSULATION: NYLON PER D4066	FINISH BODY & SLEEVE: TIN PLATE PER ASTM B 545 INSULATION: RED	APPLICATION SPEC 114-2157	WEIGHT -	A3	00779	C=36154	-
CUSTOMER DRAWING						SCALE 4:1	SHEET 1 OF 1	REV R2		

Mouser Electronics

Authorized Distributor

Click to View Pricing, Inventory, Delivery & Lifecycle Information:

[TE Connectivity:](#)

[2-36154-2](#)