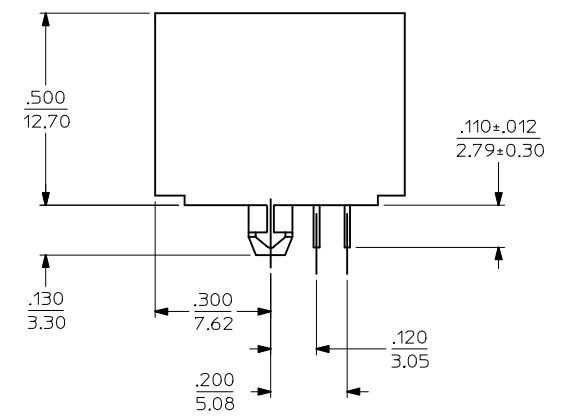
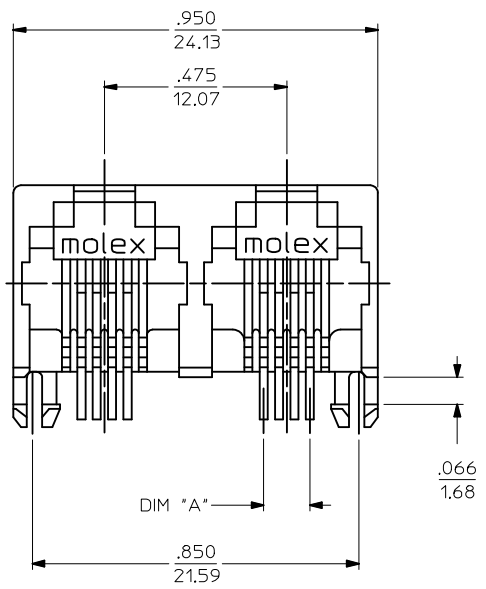
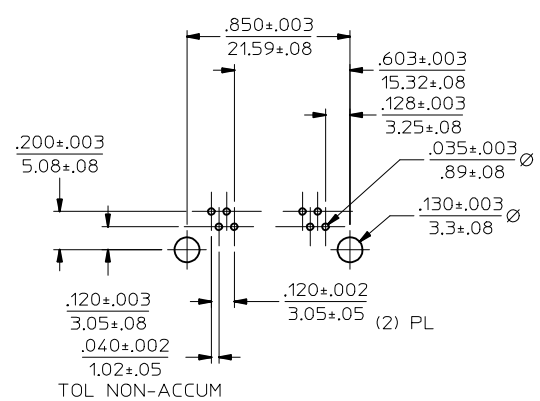
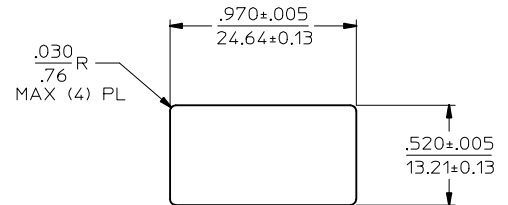
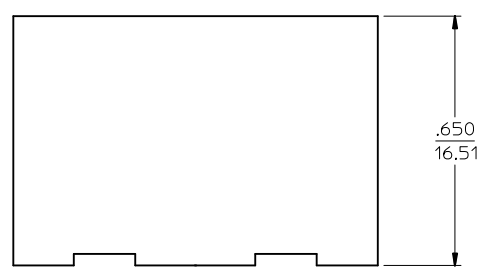
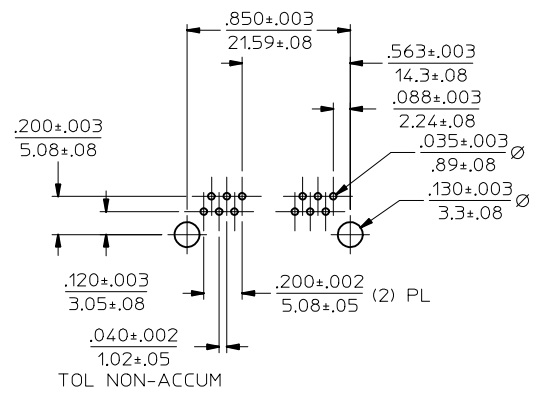


- NOTES:
- MATERIAL:
HOUSING: NYLON(PA), GLASS FILLED, UL94V-0, COLOR: SEE CHART
TERMINALS: PHOSPHOR BRONZE, .015/(0.38) THICK
 - FINISH:
TERMINALS:
SELECT GOLD IN CONTACT AREA: 50 MICRONS MIN.,
*SELECT TIN IN PC TAIL AREA: 100 MICRONS MIN.,
WITH OVERALL NICKEL UNDERPLATE: 50 MICRONS MIN.
*THE PRIMARY SHIPPING CARTON WILL BE LABELED "COMPLIANT TO ROHS DIRECTIVE 2002/95/EC AND ELV ANNEX II OF DIRECTIVE 2000/53/EC". CARTONS WITHOUT THIS LABEL MAY CONTAIN PRODUCT WITH TIN-LEAD IN THE PC TAILS.
 - PRODUCT SPECIFICATION AND PROCESSING PARAMETERS: PS-43860-003.
 - PACKAGING SPECIFICATION:
CONNECTOR ASSEMBLIES PACKAGED IN EXTRUDED TUBES PER MOLEX PACKAGING SPECIFICATION PK-43685-005.
 - THIS PART CONFORMS TO CLASS B REQUIREMENTS OF COSMETIC SPECIFICATION PS-45499-002.
 - RECOMMENDED PCB THICKNESS: .062±.005/1.57±0.13



MATERIAL NUMBER	CIRCUITS PER PORT	DIM "A"
438146621	6	.200/5.08
438146421	4	.120/3.05

DELETE FG 438146221	2016/09/06
EC NO: UCP2017-0531	2016/09/06
DRW: WAFENG02	2016/09/16
CHKD: APPR: KLANG	2016/09/16
REV: F4	

QUALITY SYMBOLS
 ▽=0
 ▽=0

GENERAL TOLERANCES (UNLESS SPECIFIED)

	mm	INCH
4 PLACES ±	---	---
3 PLACES ±	---	±.010
2 PLACES ±	.25	±.014
1 PLACE ±	.36	±---
ANGULAR ±1/2°		

DRAFT WHERE APPLICABLE
MUST REMAIN
WITHIN DIMENSIONS

DIMENSION STYLE		SCALE	DESIGN UNITS	THIRD ANGLE PROJECTION
IN/MM		INCH	INCH	THIRD ANGLE PROJECTION
DRAWN BY	DATE	TITLE		
L. LENZ	1996/12/10	INVERTED DUAL PORT RIGHT ANGLE MODULAR JACK ASSEMBLY		
CHECKED BY	DATE	MOLEX MOLEX INCORPORATED		
ROBERTS	1996/12/10	MOLEX MOLEX INCORPORATED		
APPROVED BY	DATE	DOCUMENT NO.		
FRY	1996/12/10	SD-43814-001		
MATERIAL NO.	SEE CHART	SHEET NO.		
		1 OF 1		
THIS DRAWING CONTAINS INFORMATION THAT IS PROPRIETARY TO MOLEX INCORPORATED AND SHOULD NOT BE USED WITHOUT WRITTEN PERMISSION				