

THIS DRAWING IS UNPUBLISHED.
VERTRAULICHE UNVERÖFFENTLICHTE ZEICHNUNG

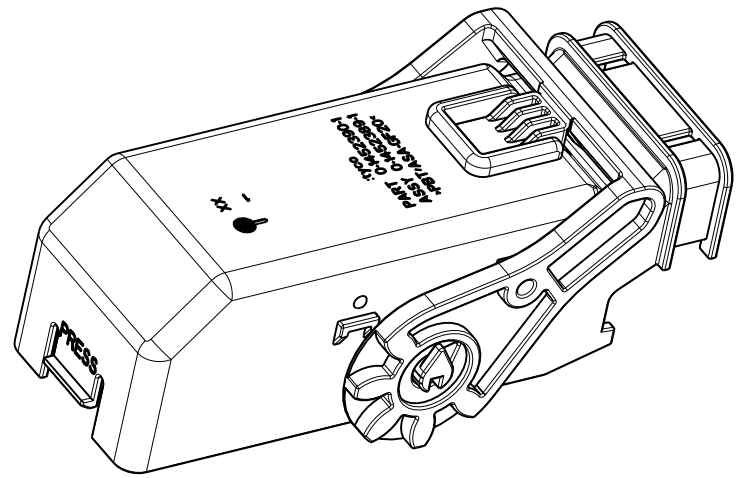
RELEASED FOR PUBLICATION
FREI FUER VERÖFFENTLICHUNG

2002

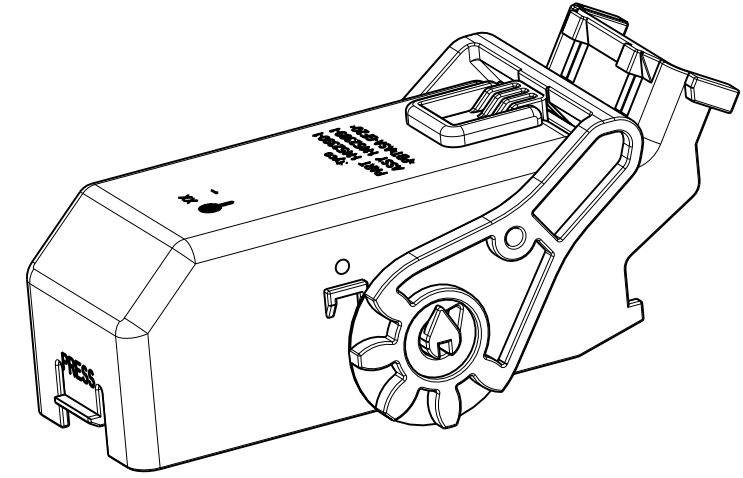
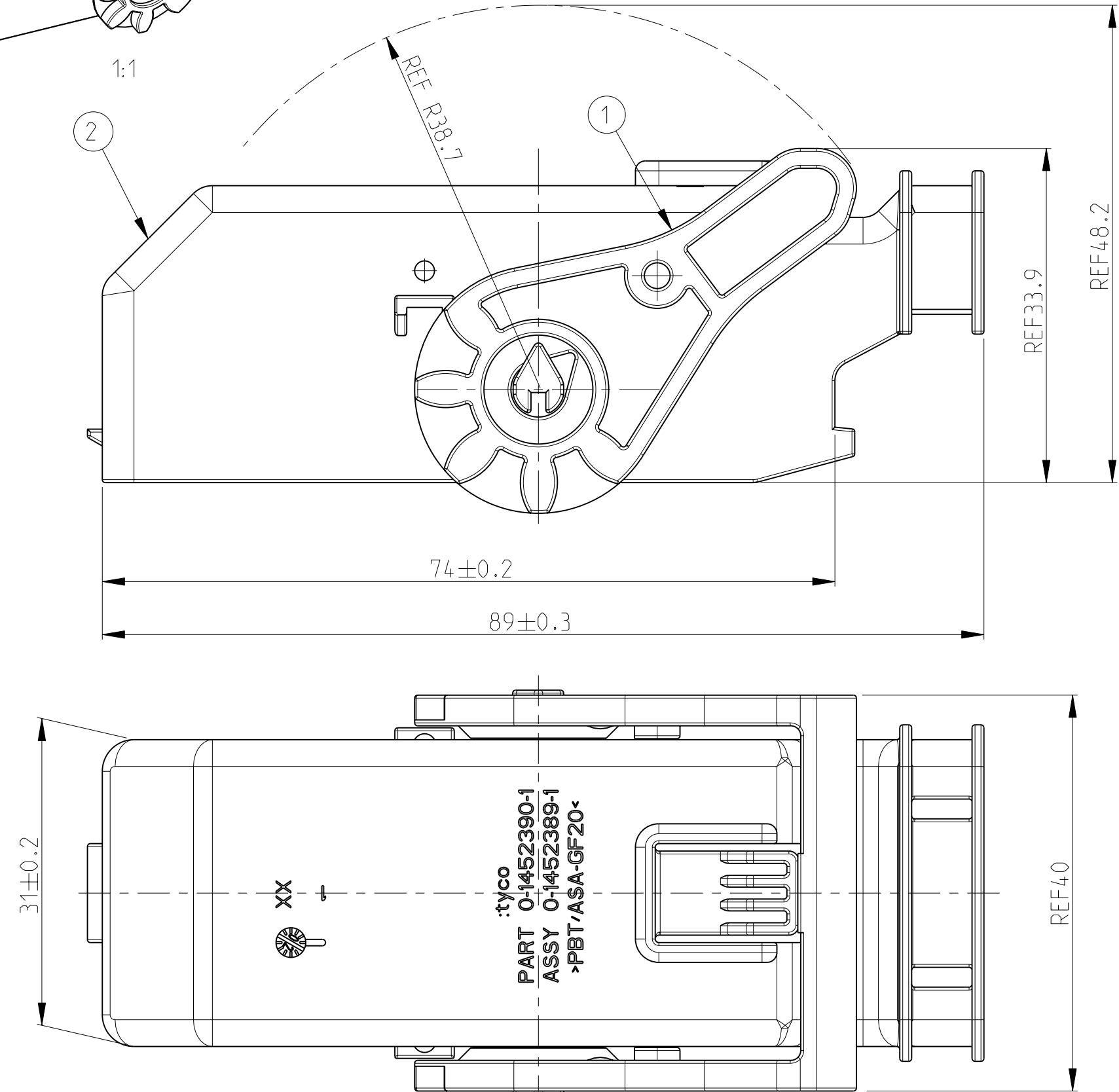
MATED WITH:
PASSEND ZU:

© COPYRIGHT 2002 BY TYCO ELECTRONICS CORPORATION. ALL RIGHTS RESERVED.
ALLE RECHTE VORBEHALTEN

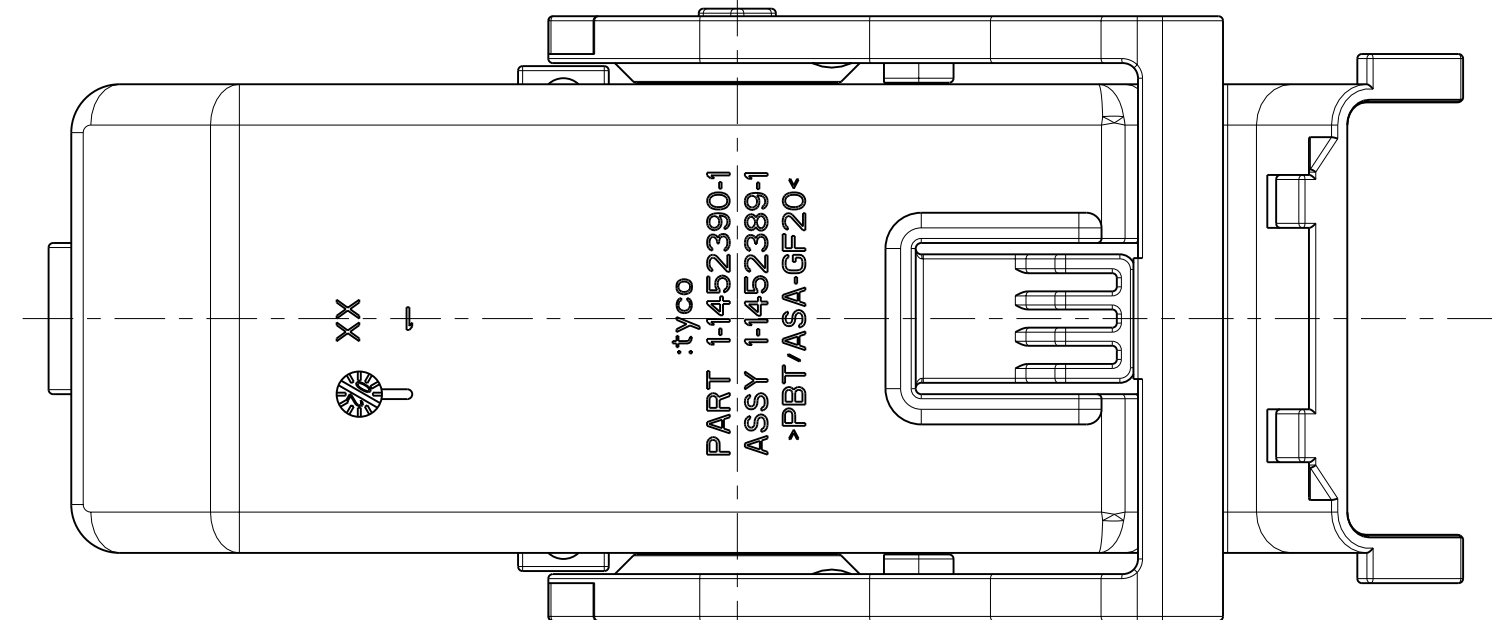
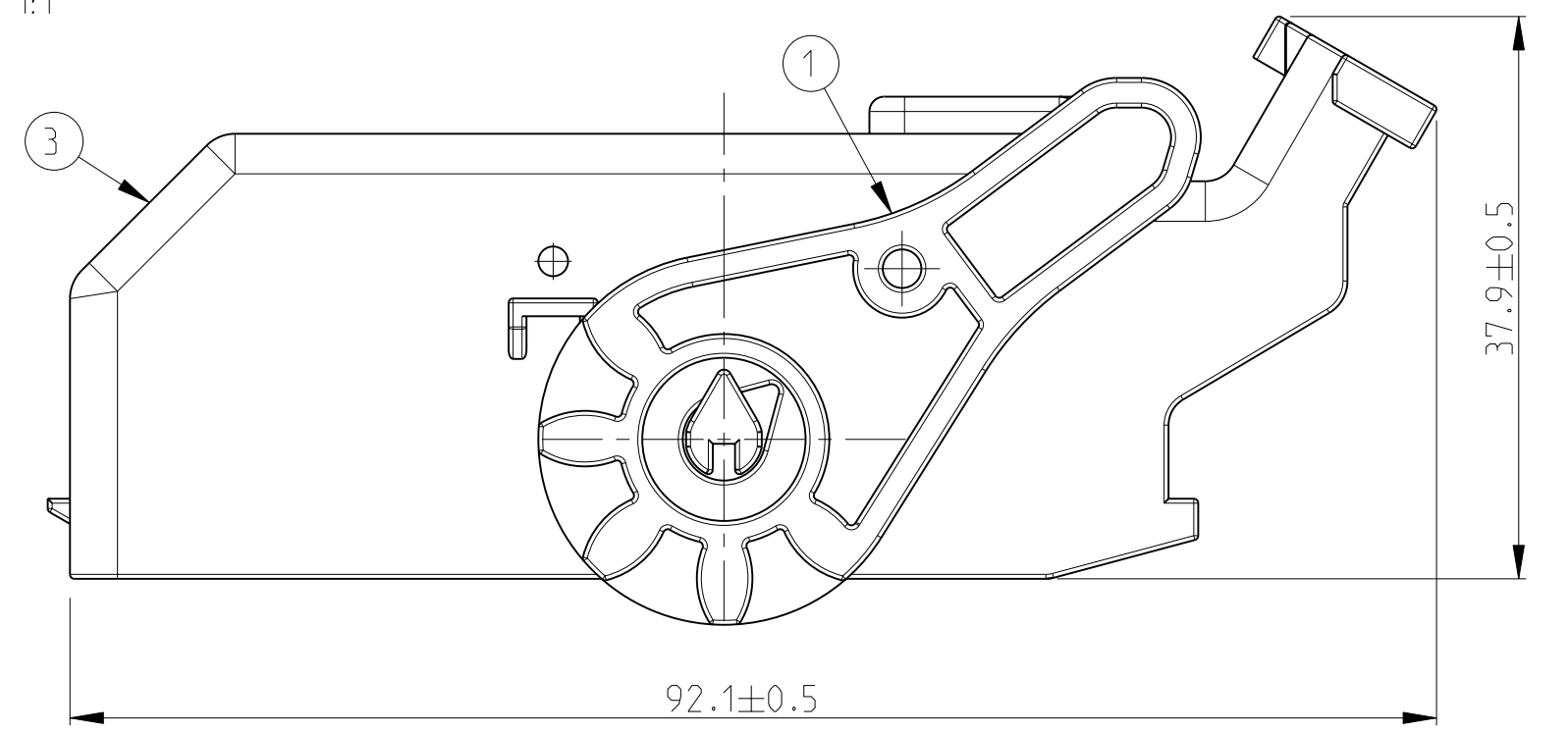
LOC	DIST	REVISIONS					
A1	-	P	LTR	DESCRIPTION	DATE	DWN	APVD
PROJEKT NR.:		B	EG00-4163-02		21JAN2003	GP	GM
		C	EG00-0248-03		13FEB2003	GP	GM
		D	EGA0-0850-03		05DEC2003	GP	GM
		D1	ECR 09-008099		09APR2009	HKE	ASC



VERSION 90°
0-1452389-1



VERSION 150°
1-1452389-1



MATERIAL	REV	DESCRIPTION	COLOUR	ITEM NO
PBT/ASA-GF20	D	96 POS. CON. COVER 150°	BLACK	3
PBT/ASA-GF20	D	96 POS. CON. COVER 90°	BLACK	2
PBT-GF20	B	96 POS. CON. LEVER	RED	1

QTY REQD PER ASSY	QTY REQD PER ASSY	WEIGHT OF EACH ASSY. NO (g)
1x	1x	
1-1452389-1	0-1452389-1	
20.7	20.7	

NOTE:
Bemerkungen:

1 ASSY DELIVERED WITH LEVER IN ENDOCKED POSITION
Anlieferungszustand: Hebel in Endraststellung

<small>THIS DRAWING IS A CONTROLLED DOCUMENT FOR TYCO ELECTRONICS CORPORATION. IT IS SUBJECT TO CHANGE AND THE CONTROLLING ENGINEERING ORGANIZATION SHOULD BE CONTACTED FOR THE LATEST REVISION.</small> <small>DIESSES ZEICHNUNGSDOKUMENT WIRD DURCH AMP INCORPORATED KONTROLLIERT. ANDERUNGEN, DIE DEM TECHNISCHEN FORTSCHRITT DIENEN, SIND VORBEHALTEN. DEN JEWELIS LETZTGÜLTIGEN ANDERUNGSSTAND ERFAHREN SIE AUF ANFRAGE.</small>		DWN K.ROTH 12MAR2002	Tyco Electronics AMP GmbH D - 64625 Bensheim	
<small>TOLERANCES UNLESS OTHERWISE SPECIFIED: ALLGEMEINTOLERANZEN</small> 0 PLC ± 1 PLC ± 2 PLC ± 3 PLC ± 4 PLC ± <small>ANGLES/WINKEL ±1°</small> <small>FINISH/OBERFLÄCHE/FARBE</small>		CHK S.DENTER 12MAR2002	NAME 96 POS. CONNECTOR COVER ASSY. FOR 154 POS. CON.	
<small>APVD</small> G.MUMPER 12MAR2002 <small>PRODUCT SPEC</small> - <small>APPLICATION SPEC</small> - <small>VERARBEITUNGSSPEZ.</small> 114-18534-1 <small>WEIGHT</small> - <small>GEWICHT</small> -		APVD G.MUMPER 12MAR2002	SIZE A2	RESTRICTED TO NUR FUER -
<small>MATERIAL</small> -		<small>CAGE CODE</small> 00779 <small>DRAWING NO.</small> 1452389 <small>SCALE</small> 5:1 <small>SHEET</small> 1 <small>OF VON</small> 1 <small>REV.</small> 01	<small>CUSTOMER DRAWING</small> /KUNDENZEICHNUNG <small>SCALE</small> 5:1 <small>SHEET</small> 1 <small>OF VON</small> 1 <small>REV.</small> 01	

Mouser Electronics

Authorized Distributor

Click to View Pricing, Inventory, Delivery & Lifecycle Information:

[TE Connectivity:](#)

[1452389-1](#)