

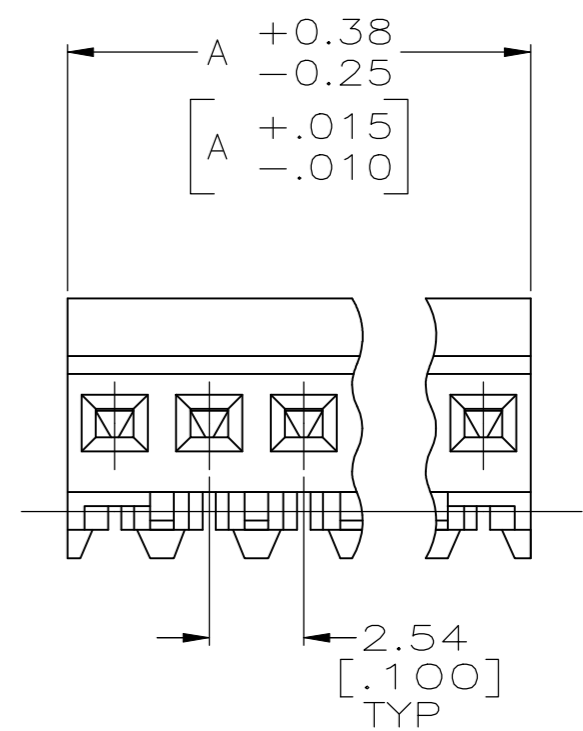
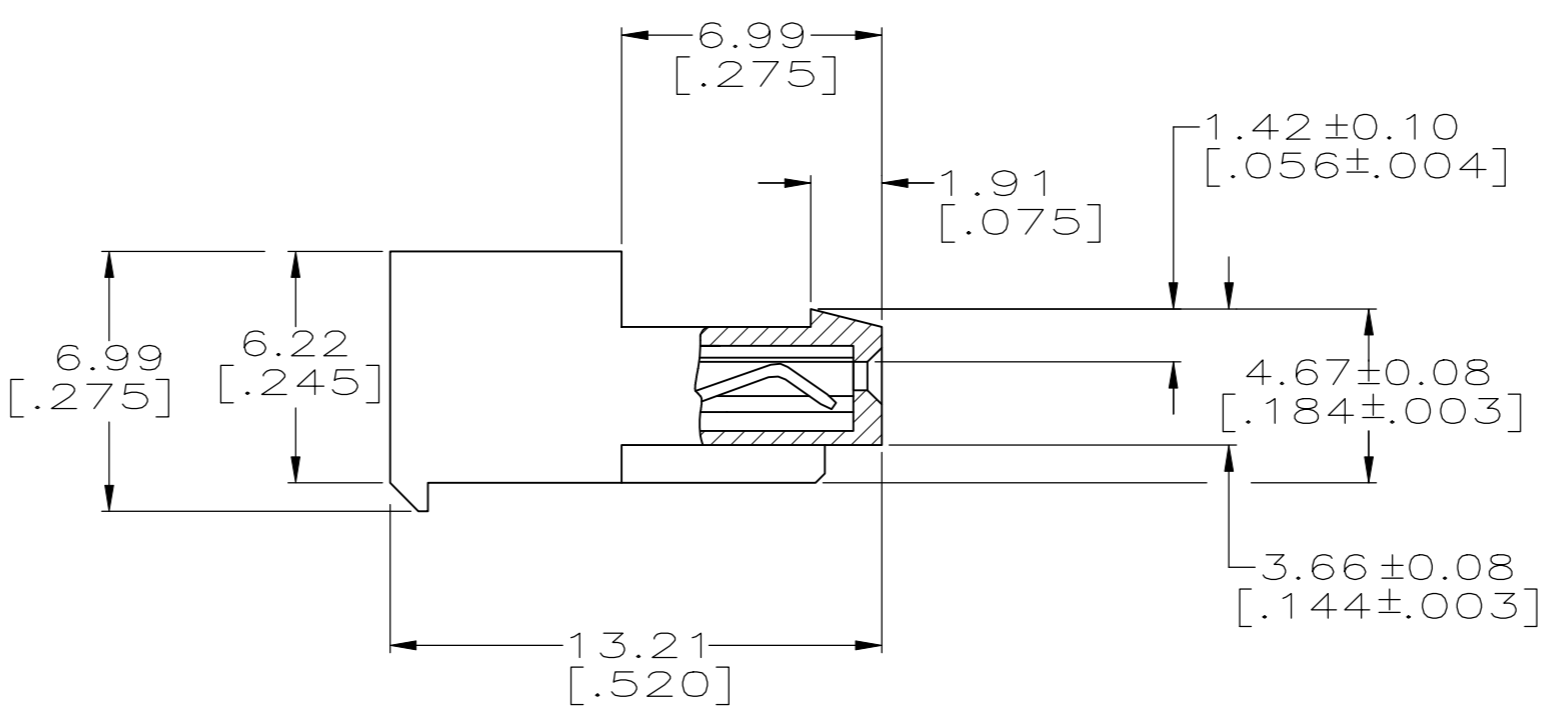
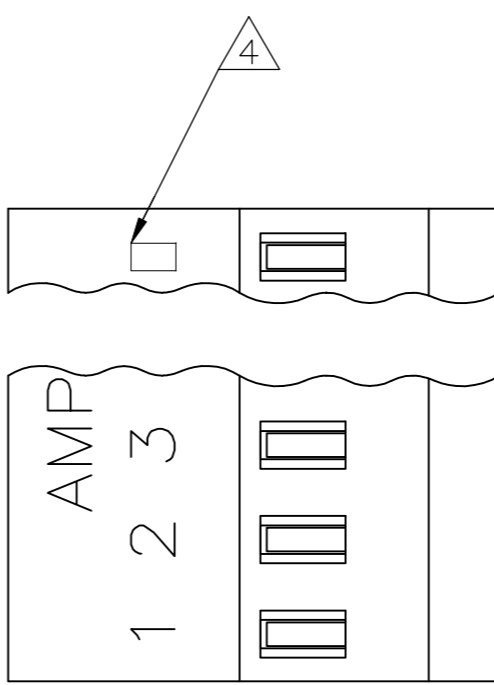
THIS DRAWING IS UNPUBLISHED. RELEASED FOR PUBLICATION
 © COPYRIGHT - By - ALL RIGHTS RESERVED.

| | | | | | | | |
|-----|------|-----------|-----|---------------------------|-----------|-----|------|
| LOC | DIST | REVISIONS | | | | | |
| CM | 00 | P | LTR | DESCRIPTION | DATE | DWN | APVD |
| | | N3 | | REVISED PER ECR-17-013141 | 03JAN2018 | BDA | SG |

| | | | |
|-----|--------------|----|------------------------------|
| YES | 71.12[2.800] | 28 | 5-640440-8 |
| YES | 68.58[2.700] | 27 | 5-640440-7 |
| YES | 66.04[2.600] | 26 | 5-640440-6 |
| YES | 63.50[2.500] | 25 | 5-640440-5 |
| YES | 60.96[2.400] | 24 | 5-640440-4 |
| YES | 58.42[2.300] | 23 | 5-640440-3 |
| YES | 55.88[2.200] | 22 | 5-640440-2 |
| YES | 53.34[2.100] | 21 | 5-640440-1 |
| YES | 50.80[2.000] | 20 | 5-640440-0 |
| YES | 48.26[1.900] | 19 | 4-640440-9 |
| YES | 45.72[1.800] | 18 | 4-640440-8 |
| YES | 43.18[1.700] | 17 | 4-640440-7 |
| YES | 40.64[1.600] | 16 | 4-640440-6 |
| YES | 38.10[1.500] | 15 | 4-640440-5 |
| YES | 35.56[1.400] | 14 | 4-640440-4 |
| YES | 33.02[1.300] | 13 | 4-640440-3 |
| YES | 30.48[1.200] | 12 | 4-640440-2 |
| YES | 27.94[1.100] | 11 | 4-640440-1 |
| YES | 25.40[1.000] | 10 | 4-640440-0 |
| YES | 22.86[.900] | 9 | 3-640440-9 |
| YES | 20.32[.800] | 8 | 3-640440-8 |
| YES | 17.78[.700] | 7 | 3-640440-7 |
| YES | 15.24[.600] | 6 | 3-640440-6 |
| YES | 12.70[.500] | 5 | 3-640440-5 |
| YES | 10.16[.400] | 4 | 3-640440-4 |
| YES | 7.62[.300] | 3 | 3-640440-3 |
| YES | 5.08[.200] | 2 | 3-640440-2 |
| -NO | 71.12[2.800] | 28 | 2-640440-8 SUP BY 5-640440-8 |
| -NO | 68.58[2.700] | 27 | 2-640440-7 SUP BY 5-640440-7 |
| -NO | 66.04[2.600] | 26 | 2-640440-6 SUP BY 5-640440-6 |
| -NO | 63.50[2.500] | 25 | 2-640440-5 SUP BY 5-640440-5 |
| -NO | 60.96[2.400] | 24 | 2-640440-4 SUP BY 5-640440-4 |
| -NO | 58.42[2.300] | 23 | 2-640440-3 SUP BY 5-640440-3 |
| -NO | 55.88[2.200] | 22 | 2-640440-2 SUP BY 5-640440-2 |
| -NO | 53.34[2.100] | 21 | 2-640440-1 SUP BY 5-640440-1 |
| -NO | 50.80[2.000] | 20 | 2-640440-0 SUP BY 5-640440-0 |
| -NO | 48.26[1.900] | 19 | 1-640440-9 SUP BY 4-640440-9 |
| -NO | 45.72[1.800] | 18 | 1-640440-8 SUP BY 4-640440-8 |
| -NO | 43.18[1.700] | 17 | 1-640440-7 SUP BY 4-640440-7 |
| -NO | 40.64[1.600] | 16 | 1-640440-6 SUP BY 4-640440-6 |
| -NO | 38.10[1.500] | 15 | 1-640440-5 SUP BY 4-640440-5 |
| -NO | 35.56[1.400] | 14 | 1-640440-4 SUP BY 4-640440-4 |
| -NO | 33.02[1.300] | 13 | 1-640440-3 SUP BY 4-640440-3 |
| -NO | 30.48[1.200] | 12 | 1-640440-2 SUP BY 4-640440-2 |
| -NO | 27.94[1.100] | 11 | 1-640440-1 SUP BY 4-640440-1 |
| -NO | 25.40[1.000] | 10 | 1-640440-0 SUP BY 4-640440-0 |
| -NO | 22.86[.900] | 9 | 640440-9 SUP BY 3-640440-9 |
| -NO | 20.32[.800] | 8 | 640440-8 SUP BY 3-640440-8 |
| -NO | 17.78[.700] | 7 | 640440-7 SUP BY 3-640440-7 |
| -NO | 15.24[.600] | 6 | 640440-6 SUP BY 3-640440-6 |
| -NO | 12.70[.500] | 5 | 640440-5 SUP BY 3-640440-5 |
| -NO | 10.16[.400] | 4 | 640440-4 SUP BY 3-640440-4 |
| -NO | 7.62[.300] | 3 | 640440-3 SUP BY 3-640440-3 |
| -NO | 5.08[.200] | 2 | 640440-2 SUP BY 3-640440-2 |

7

- 1 MATERIAL: CONNECTOR - NYLON UL94V-2 (RED).
 CONTACTS - 0.30[.012] THICK COPPER ALLOY
 BRIGHT TIN-LEAD .00203[.000080] MIN THICKNESS
 FOR 640440-2 THRU 2-640440-8.
 MATTE WHISKER MITIGATED TIN .00203[.000080] MIN THICKNESS OVER
 NICKEL UNDERPLATE FOR 3-640440-2 THRU 5-640440-8.
- 2 CONTACTS ACCEPT 22 AWG WIRE WITH 1.52[.060] MAX
 INSULATION DIAMETER.
- 3 CONTACTS MUST ACCEPT 0.64±0.03[.025±.001]
 POST AND REMAIN LOCKED IN POSITION.
- 4 IDENTIFICATION NUMBER FOR LAST CIRCUIT MAY
 NOT APPEAR ON ALL ASSEMBLIES.
- 5 DIMENSIONS IN BRACKETS ARE IN INCHES.
- 6 HOUSING FEATURES ARE: CLOSED END WITH LOCKING RAMP.
- 7 OBSOLETE PARTS



| | | | | |
|--|--------------------|----------------------------------|-----------------|--------------------|
| THIS DRAWING IS A CONTROLLED DOCUMENT. | | DWN S. CARPENTER 09JUN2003 | TE Connectivity | |
| DIMENSIONS: INCHES | | CHK D. BOSSI 09JUN2003 | | |
| TOLERANCES UNLESS OTHERWISE SPECIFIED: | | APVD D. BOSSI 09JUN2003 | NAME | |
| 0 PLC ± | 1 PLC ± | PRODUCT SPEC | | |
| 2 PLC ± | 3 PLC ± 0.13 [005] | 108-1050 | | |
| 4 PLC ± | ANGLES ± | APPLICATION SPEC | | |
| MATERIAL 1 | FINISH 1 | 114-1019 | | |
| CUSTOMER DRAWING | | SIZE A2 | CAGE CODE 00779 | DRAWING NO. 640440 |
| SCALE 5:1 | | SHEET 1 of 1 | | RESTRICTED TO - |
| | | | | REV N3 |

Mouser Electronics

Authorized Distributor

Click to View Pricing, Inventory, Delivery & Lifecycle Information:

[TE Connectivity:](#)

[640440-5](#)