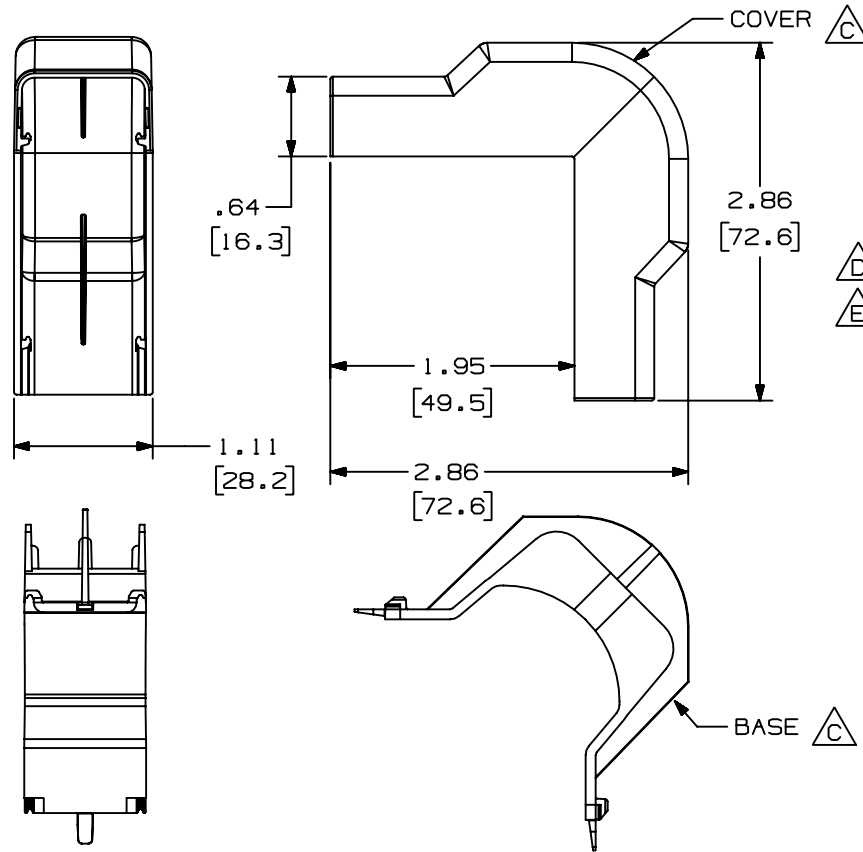


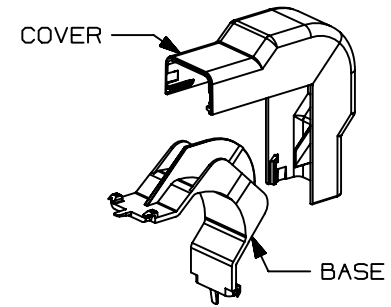
THIS COPY IS PROVIDED ON A RESTRICTED BASIS AND IS NOT TO BE USED IN ANY WAY DETRIMENTAL TO THE INTERESTS OF PANDUIT CORP.



PANDUIT PART NO.	WEIGHT
OCFX5	5.1 LB/100 PCS (2334 g/100 PCS)

NOTES:

- SEE CURRENT CATALOG FOR ADDITIONAL PART NUMBER SUFFIXES TO INDICATE COLOR AND OR PACKAGE QUANTITY.
- THIS PRODUCT IS INTENDED TO BE USED WITH PANDUIT TYPE LD5 AND LDP5 RACEWAY.
- NOMINAL WALL THICKNESSES;
BASE = .080 [2.0]
COVER = .055 [1.4]
- THIS PRODUCT IS FEATURED WITH THE TIA/EIA COMPLIANT BEND RADIUS.
- DIMENSIONS IN PARENTHESIS ARE IN METRIC.



CAD FILENAME/LAYERS D35012BB_LD_OCFX5_03.PRT

PANDUIT CORP. TINLEY PARK, ILLINOIS

OUTSIDE CORNER FITTING BASE AND COVER (OCFX5)
CUSTOMER DRAWING

3	03-15-04	JHEP	RGRO	E. REMOVED CD5 FROM NOTE 2.	35012-02	RGRO	RGRO		
2	03-30-99	DW	HIW	D. REVISED NOTE 2 WAS LD2P5 RACEWAY. C. REVISED PICTURES.	35012-02	HIW	HIW		
1	09-05-96	JBA	CEF	B. UPDATED METRIC DIMENSIONS. A. REV'D MATERIAL: WAS PVC.	35012-02	CEF	CEF		
R	11-09-95	DW	CEF	RELEASED TO PRODUCTION	35012-02	CEF			
REV	DATE	BY	CHK	DESCRIPTION	ECN	CHK	CUST	SUP	

UNLESS OTHERWISE SPECIFIED, DIMENSIONAL TOLERANCES ARE:
(.X) ± (.XXX) ±.015 [.4]
(.XX) ±.03 [.8] ANGLES ±

UNLESS OTHERWISE SPECIFIED, ALL DIMENSIONS ARE GIVEN IN INCHES, THIRD ANGLE PROJECTION.

DRAWN BY DW	MAT'L: ABS/PC
DATE 11-09-95	
CHECKED BY CEF	

SCALE NONE	DWG A
DRAWING NO. 35012-02	SIZE A

Mouser Electronics

Authorized Distributor

Click to View Pricing, Inventory, Delivery & Lifecycle Information:

[Panduit:](#)

[OCFX5IW-X](#) [OCFX5WH-X](#) [OCFX5IG-X](#) [OCFX5EI-X](#)