

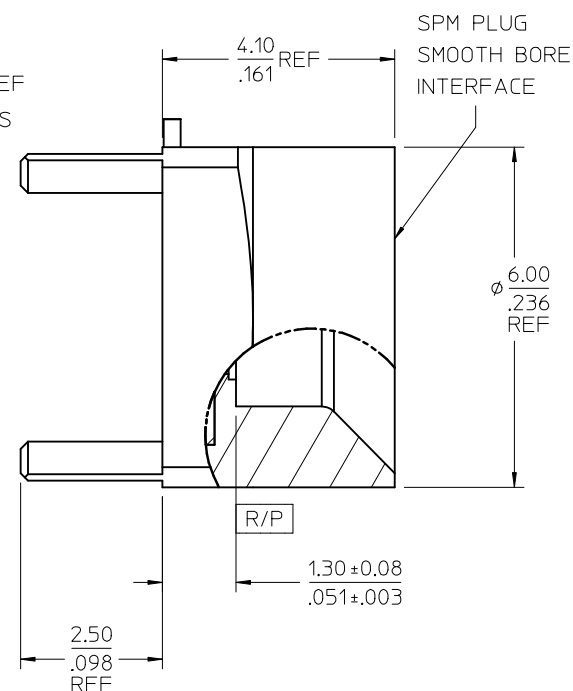
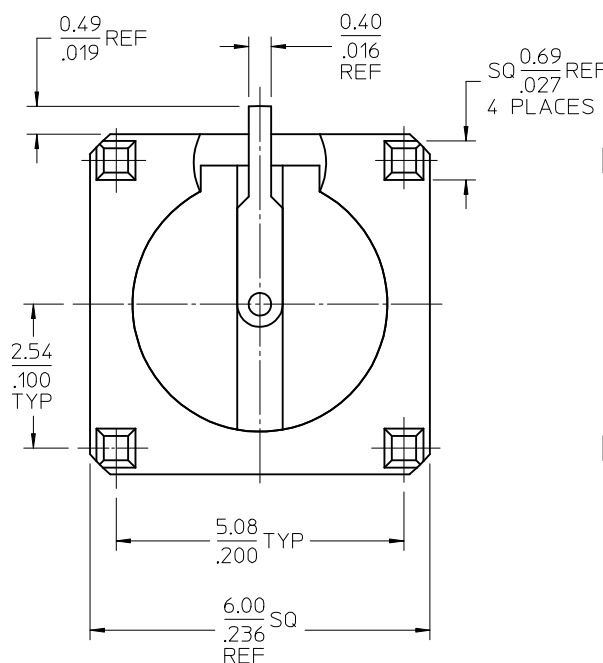
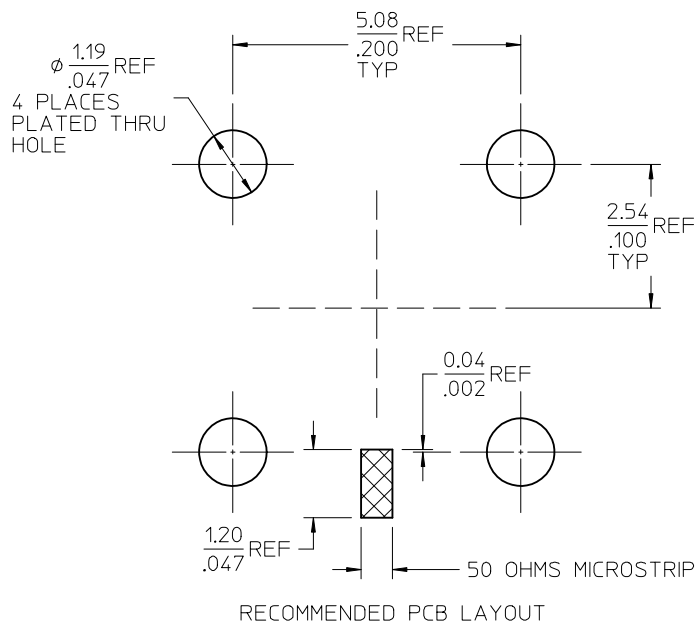
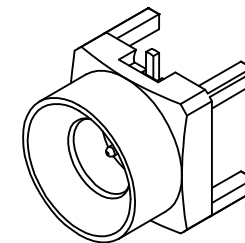
MATERIALS AND FINISHES:

BODY, CONTACT: BRASS  
 PLATED: GOLD (30μ-in MIN)  
 OVER NICKEL (100μ-in MIN)

INSULATOR: PEEK OR LCP

KAPTON: POLYIMIDE  
 COLOR: BLACK

TAPE: SEE SHEET 2  
 REEL: SEE SHEET 3



73415-3322	SINGLE PIECE PER BAG
73415-3321	TAPE & REEL WITH KAPTON TAPE
73415-3320	TAPE & REEL
PART NO.	DESCRIPTION

PS-89675-3320	PRODUCT SPECIFICATION
MIL-STD-348B, FIG. 326.4	INTERFACE SMP SB
SPECIFICATION	DESCRIPTION

CHG: ADD TOLERANCE TO DIM 1.30/.051 IN D2 ZONE. UPD MATERIALS AND FINISHES NOTE.  
 EC NO: URF2017-0403  
 DRWN:APRAKASH01 2017/06/01  
 CHKD:BBB 2017/06/01  
 APPR:AROBERTSON 2017/06/29

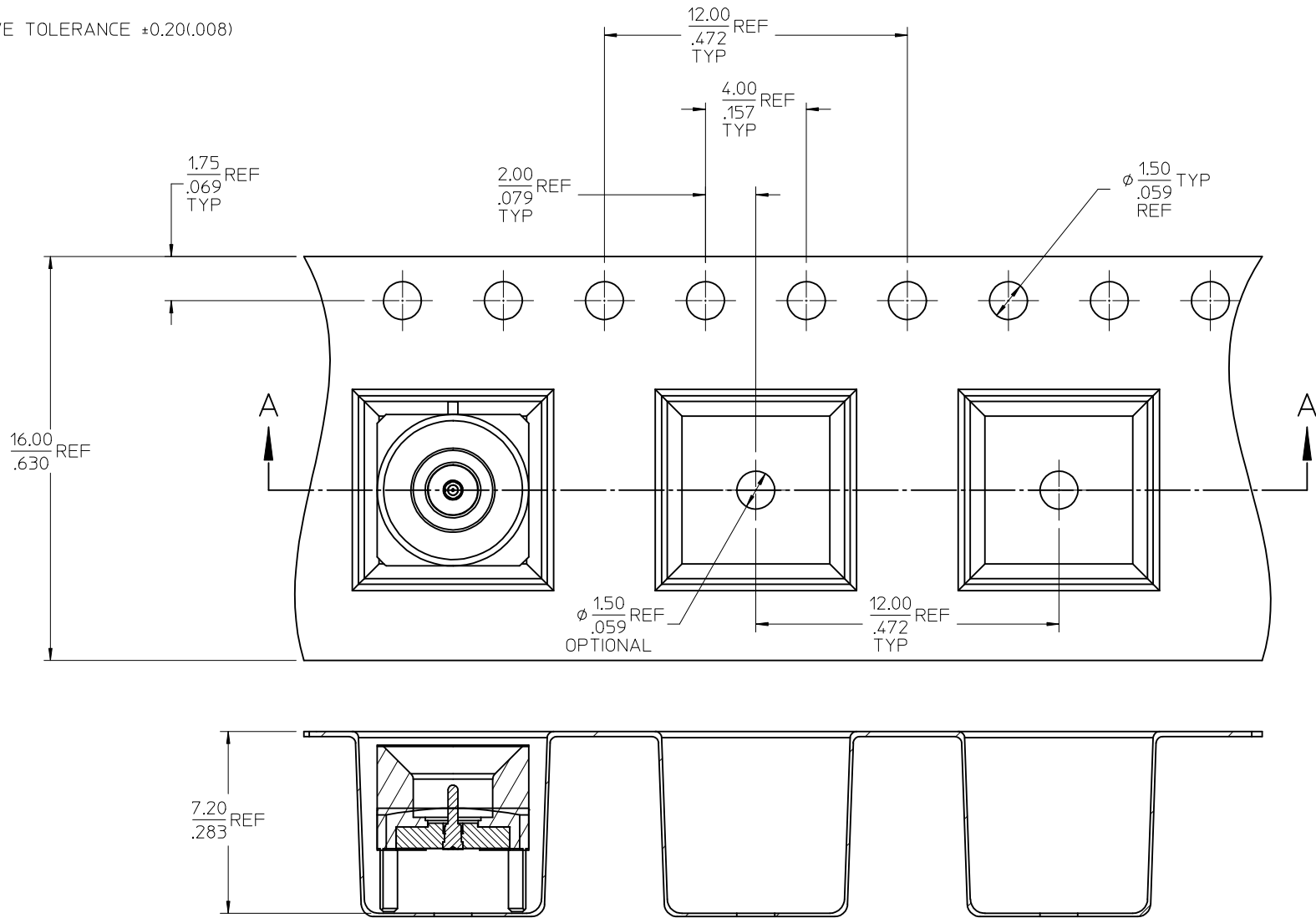
QUALITY SYMBOLS	DESCRIPTION
▽=0	
▽=0	
▽=0	

GENERAL TOLERANCES (UNLESS SPECIFIED)	
	mm INCH
4 PLACES ± --- ± ---	
3 PLACES ± --- ± .010	
2 PLACES ± 0.25 ± ---	
1 PLACE ± --- ± ---	
0 PLACE ± --- ± ---	
ANGULAR ± 2 °	
DRAFT WHERE APPLICABLE MUST REMAIN WITHIN DIMENSIONS	

DIMENSION STYLE MM/IN	
DRAWN BY	DATE
TEF	2001/05/21
CHECKED BY	DATE
SSS	2001/05/21
APPROVED BY	DATE
JWIENER	2010/11/11
MATERIAL NO.	
SEE TABLE	
SIZE	
C	

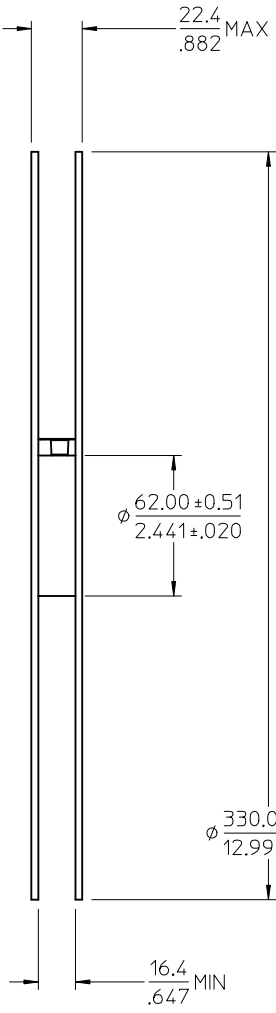
SCALE	DESIGN UNITS METRIC	THIRD ANGLE PROJECTION
TITLE		
SMP PLUG, STRAIGHT PCB SMOOTH BORE SMP-P/PCB EWR-1349		
molex		
DOCUMENT NO.	SD-73415-332	SHEET NO. 1 OF 3
THIS DRAWING CONTAINS INFORMATION THAT IS PROPRIETARY TO MOLEX INCORPORATED AND SHOULD NOT BE USED WITHOUT WRITTEN PERMISSION		

NOTE:  
1. 10 PITCHES CUMULATIVE TOLERANCE ±0.20(.008)

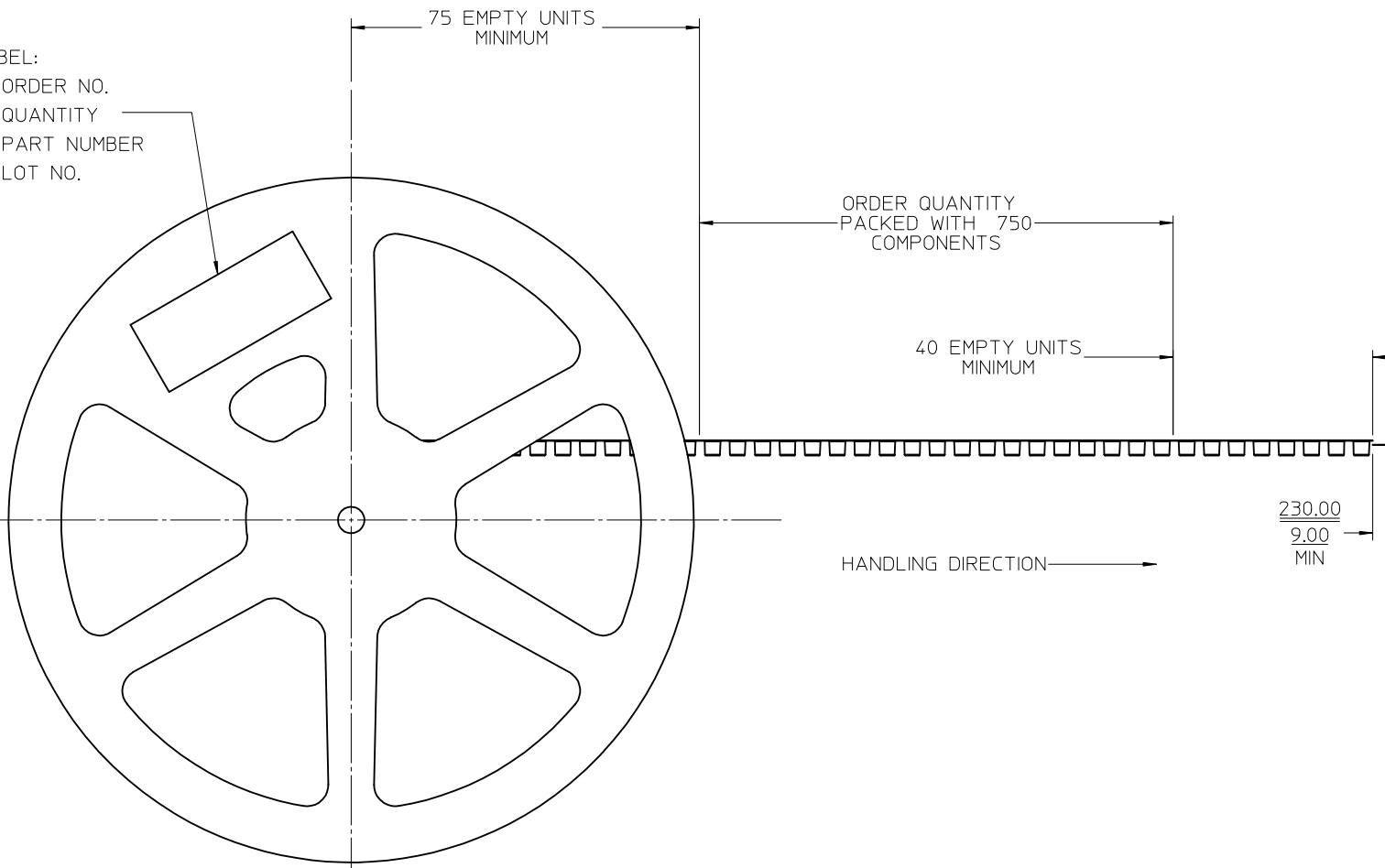


SECTION A-A

CHG: SEE SHEET 1 EC NO: URF2017-0403 DRWN: APRKASHO1 2017/06/01 CHKD: HBB 2017/06/01 APPR: AROBERTSON 2017/06/29	QUALITY SYMBOLS	GENERAL TOLERANCES (UNLESS SPECIFIED)		DIMENSION STYLE	SCALE	DESIGN UNITS	THIRD ANGLE PROJECTION
	▽=0	mm	INCH	MM/IN		METRIC	
	▽=0	4 PLACES ± ---	± ---	DRAWN BY	DATE	TITLE	
	▽=0	3 PLACES ± ---	± .010	CHECKED BY	DATE	SMP PLUG, STRAIGHT PCB SMOOTH BORE SMP-P/PCB EWR-1349	
		2 PLACES ± 0.25	± ---	APPROVED BY	DATE		
		1 PLACE ± ---	± ---	JWIENER	2010/11/11		
		0 PLACE ± ---	± ---	MATERIAL NO.	DOCUMENT NO.		
		ANGULAR ± 2 °		SEE SHEET 1	SD-73415-332		
		DRAFT WHERE APPLICABLE MUST REMAIN WITHIN DIMENSIONS		THIS DRAWING CONTAINS INFORMATION THAT IS PROPRIETARY TO MOLEX INCORPORATED AND SHOULD NOT BE USED WITHOUT WRITTEN PERMISSION			



LABEL:  
 - ORDER NO.  
 - QUANTITY  
 - PART NUMBER  
 - LOT NO.



CHG: SEE SHEET 1 EC NO: URF2017-0403 DRW: APRAKASHO1 2017/06/01 CHK: DBB 2017/06/01 APPR: ROBERTSON 2017/06/29	QUALITY SYMBOLS ▽=0 ▽=0 ▽=0	GENERAL TOLERANCES (UNLESS SPECIFIED) <table border="1"> <tr> <th></th> <th>mm</th> <th>INCH</th> </tr> <tr> <td>4 PLACES</td> <td>± .10</td> <td>± .004</td> </tr> <tr> <td>3 PLACES</td> <td>± .15</td> <td>± .006</td> </tr> <tr> <td>2 PLACES</td> <td>± 0.25</td> <td>± .010</td> </tr> <tr> <td>1 PLACE</td> <td>± .50</td> <td>± .020</td> </tr> <tr> <td>0 PLACE</td> <td>± 1.00</td> <td>± .040</td> </tr> </table>		mm	INCH	4 PLACES	± .10	± .004	3 PLACES	± .15	± .006	2 PLACES	± 0.25	± .010	1 PLACE	± .50	± .020	0 PLACE	± 1.00	± .040	DIMENSION STYLE <b>MM/IN</b> DRAWN BY: TEF DATE: 2001/05/21 CHECKED BY: SSS DATE: 2001/05/21 APPROVED BY: JW IENER DATE: 2010/11/11	SCALE: METRIC DESIGN UNITS: METRIC THIRD ANGLE PROJECTION	TITLE: <b>SMP PLUG, STRAIGHT PCB          SMOOTH BORE          SMP-P/PCB EWR-1349</b> <b>molex</b>
		mm	INCH																				
	4 PLACES	± .10	± .004																				
	3 PLACES	± .15	± .006																				
2 PLACES	± 0.25	± .010																					
1 PLACE	± .50	± .020																					
0 PLACE	± 1.00	± .040																					
MATERIAL NO. <b>SEE SHEET 1</b>	DOCUMENT NO. <b>SD-73415-332</b>	SHEET NO. <b>3 OF 3</b>																					
DRAFT WHERE APPLICABLE MUST REMAIN WITHIN DIMENSIONS	THIS DRAWING CONTAINS INFORMATION THAT IS PROPRIETARY TO MOLEX INCORPORATED AND SHOULD NOT BE USED WITHOUT WRITTEN PERMISSION																						
REV: C7																							

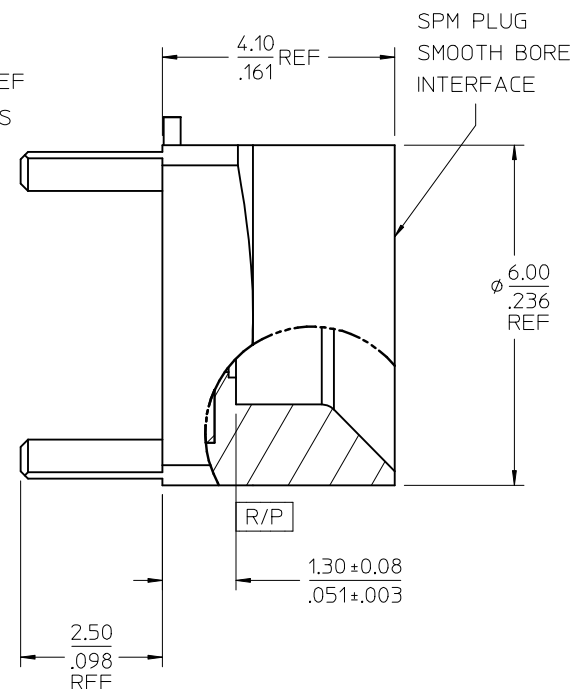
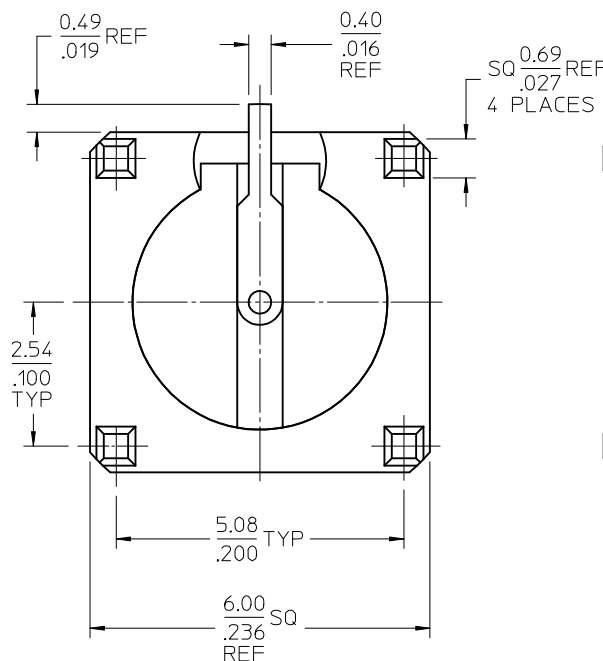
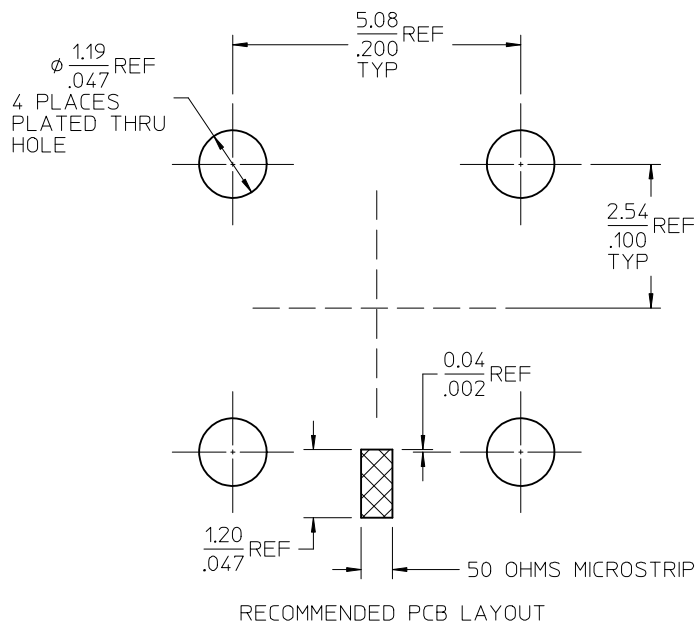
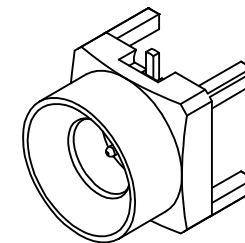
MATERIALS AND FINISHES:

BODY, CONTACT: BRASS  
 PLATED: GOLD (30μ-in MIN)  
 OVER NICKEL (100μ-in MIN)

INSULATOR: PEEK OR LCP

KAPTON: POLYIMIDE  
 COLOR: BLACK

TAPE: SEE SHEET 2  
 REEL: SEE SHEET 3



73415-3322	SINGLE PIECE PER BAG
73415-3321	TAPE & REEL WITH KAPTON TAPE
73415-3320	TAPE & REEL
PART NO.	DESCRIPTION

PS-89675-3320	PRODUCT SPECIFICATION
MIL-STD-348B, FIG. 326.4	INTERFACE SMP SB
SPECIFICATION	DESCRIPTION

CHG: ADD TOLERANCE TO DIM 1.30/.051 IN D2 ZONE. UPD MATERIALS AND FINISHES NOTE. EC NO: URF2017-0403 DRWIN:APRAKASH01 2017/06/01 CHKD:HBB 2017/06/01 APPR:AROBERTSON 2017/06/29

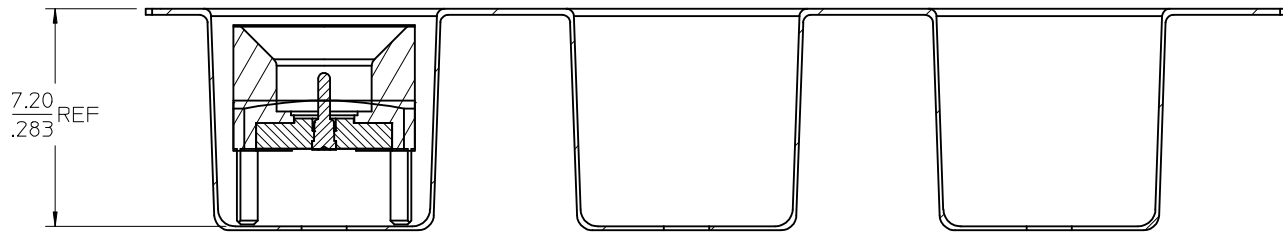
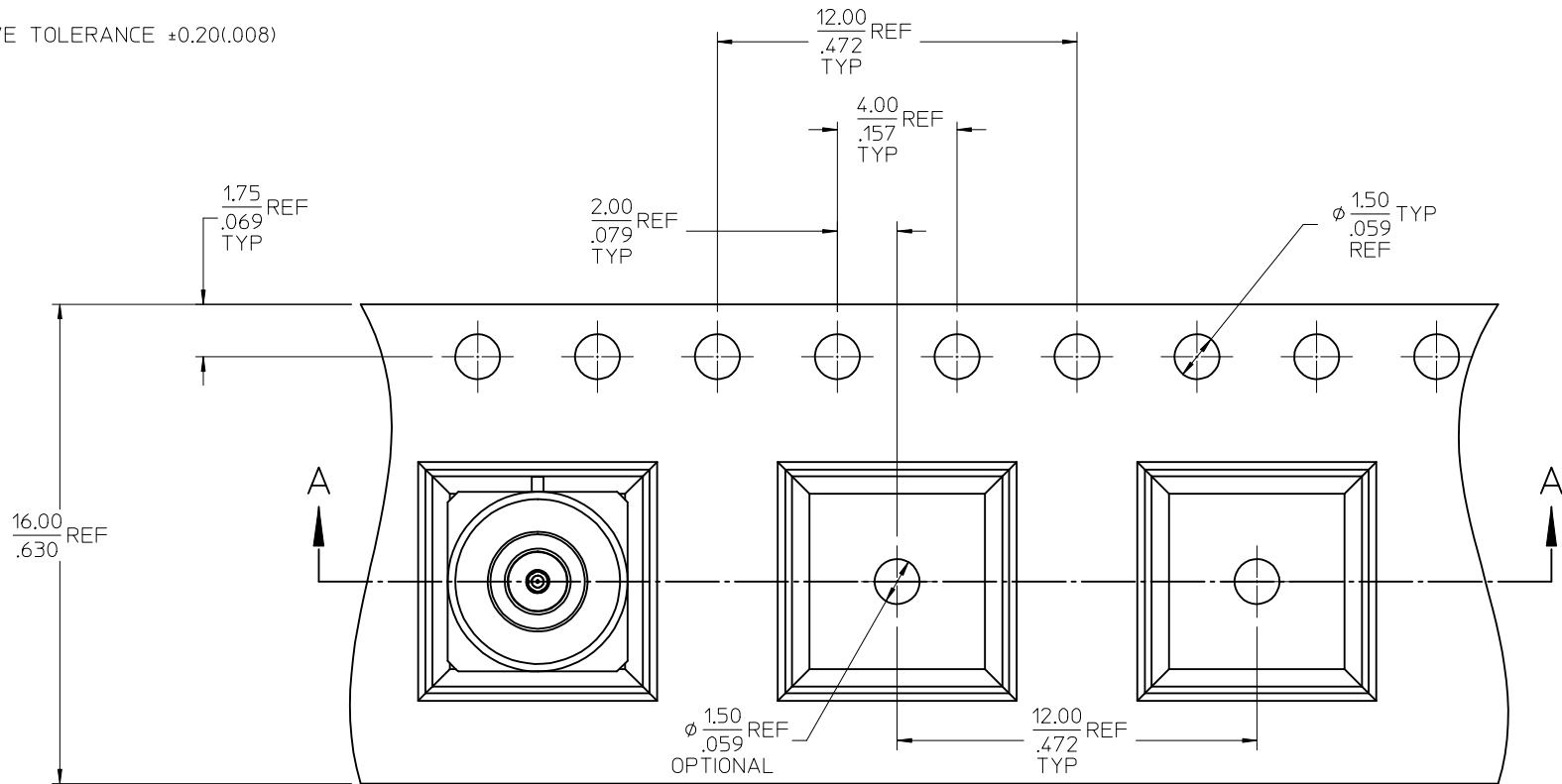
DESCRIPTION

REV: C7

QUALITY SYMBOLS	GENERAL TOLERANCES (UNLESS SPECIFIED)
▽=0	mm INCH
▽=0	4 PLACES ± --- ± ---
▽=0	3 PLACES ± --- ± .010
	2 PLACES ± 0.25 ± ---
	1 PLACE ± --- ± ---
	0 PLACE ± --- ± ---
	ANGULAR ± 2 °
	DRAFT WHERE APPLICABLE MUST REMAIN WITHIN DIMENSIONS

DIMENSION STYLE		SCALE	DESIGN UNITS	THIRD ANGLE PROJECTION
MM/IN			METRIC	
DRAWN BY	DATE	TITLE		
TEF	2001/05/21	SMP PLUG, STRAIGHT PCB SMOOTH BORE SMP-P/PCB EWR-1349		
CHECKED BY	DATE	molex		
SSS	2001/05/21			
APPROVED BY	DATE	DOCUMENT NO.	SHEET NO.	
JWIENER	2010/11/11	SD-73415-332	1 OF 3	
MATERIAL NO.	SIZE	THIS DRAWING CONTAINS INFORMATION THAT IS PROPRIETARY TO MOLEX INCORPORATED AND SHOULD NOT BE USED WITHOUT WRITTEN PERMISSION		
SEE TABLE	C			

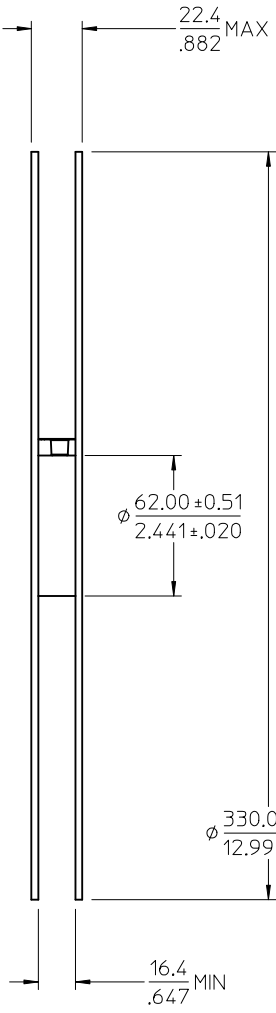
NOTE:  
1. 10 PITCHES CUMULATIVE TOLERANCE ±0.20(.008)



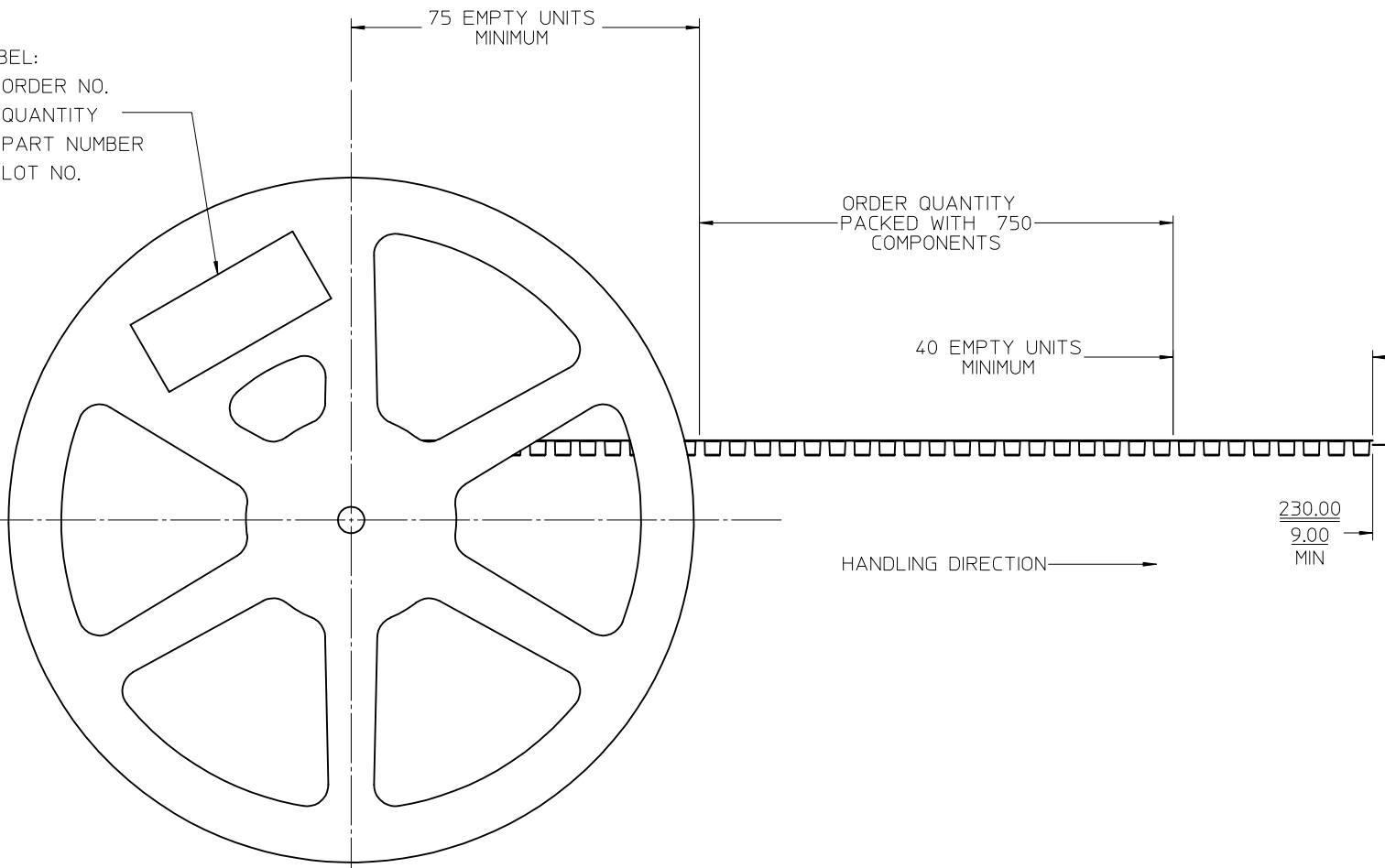
SECTION A-A

CHG: SEE SHEET 1 EC NO: URF2017-0403 DRWN:APRAKASHO1 2017/06/01 CHKD:BBB 2017/06/01 APPR:AROBERTSON 2017/06/29 REV C7	QUALITY SYMBOLS ▽=0 ▽=0 ▽=0	GENERAL TOLERANCES (UNLESS SPECIFIED)		DIMENSION STYLE MM/IN	SCALE	DESIGN UNITS METRIC	THIRD ANGLE PROJECTION								
		4 PLACES ± --- ± ---	3 PLACES ± --- ± .010	2 PLACES ± 0.25 ± ---	1 PLACE ± --- ± ---	0 PLACE ± --- ± ---	ANGULAR ± 2 °	DRAFT WHERE APPLICABLE MUST REMAIN WITHIN DIMENSIONS	DRAWN BY TEF	DATE 2001/05/21	CHECKED BY SSS	DATE 2001/05/21	APPROVED BY JWIENER	DATE 2010/11/11	TITLE SMP PLUG, STRAIGHT PCB SMOOTH BORE SMP-P/PCB EWR-1349

SEE SHEET 1  
THIS DRAWING CONTAINS INFORMATION THAT IS PROPRIETARY TO MOLEX INCORPORATED AND SHOULD NOT BE USED WITHOUT WRITTEN PERMISSION



LABEL:  
 - ORDER NO.  
 - QUANTITY  
 - PART NUMBER  
 - LOT NO.



CHG: SEE SHEET 1 EC NO: URF2017-0403 DRW:APRAKASHO1 2017/06/01 CHKD:888 2017/06/01 APPR:ROBERTSON 2017/06/29	DESCRIPTION REV	QUALITY SYMBOLS ▽=0 ▽=0 ▽=0	GENERAL TOLERANCES (UNLESS SPECIFIED)		DIMENSION STYLE MM/IN		SCALE	DESIGN UNITS METRIC	THIRD ANGLE PROJECTION		
			mm	INCH	DRAWN BY TEF	DATE 2001/05/21	TITLE SMP PLUG, STRAIGHT PCB SMOOTH BORE SMP-P/PCB EWR-1349	molex		DOCUMENT NO. SD-73415-332	SHEET NO. 3 OF 3
C7			4 PLACES ± --- ± ---	3 PLACES ± --- ± .010	2 PLACES ± 0.25 ± ---	1 PLACE ± --- ± ---	0 PLACE ± --- ± ---	APPROVED BY JWIENER	DATE 2010/11/11	THIS DRAWING CONTAINS INFORMATION THAT IS PROPRIETARY TO MOLEX INCORPORATED AND SHOULD NOT BE USED WITHOUT WRITTEN PERMISSION	
DRAFT WHERE APPLICABLE MUST REMAIN WITHIN DIMENSIONS			ANGULAR ± 2 °		SEE SHEET 1						