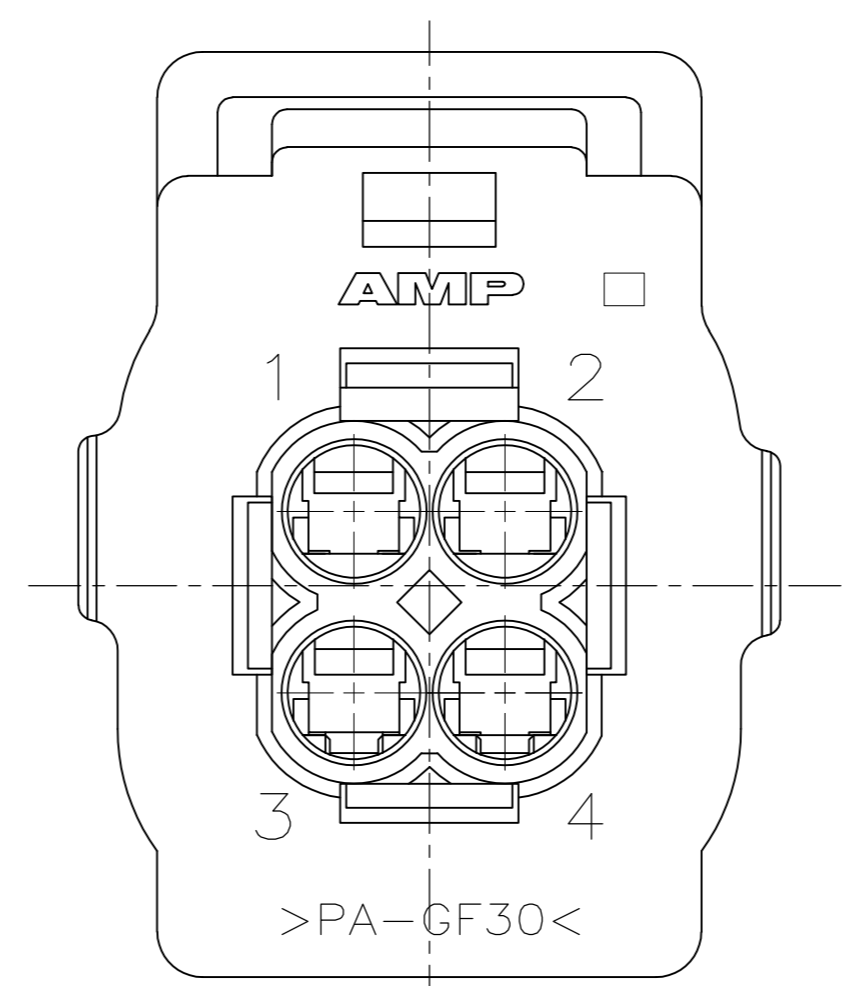
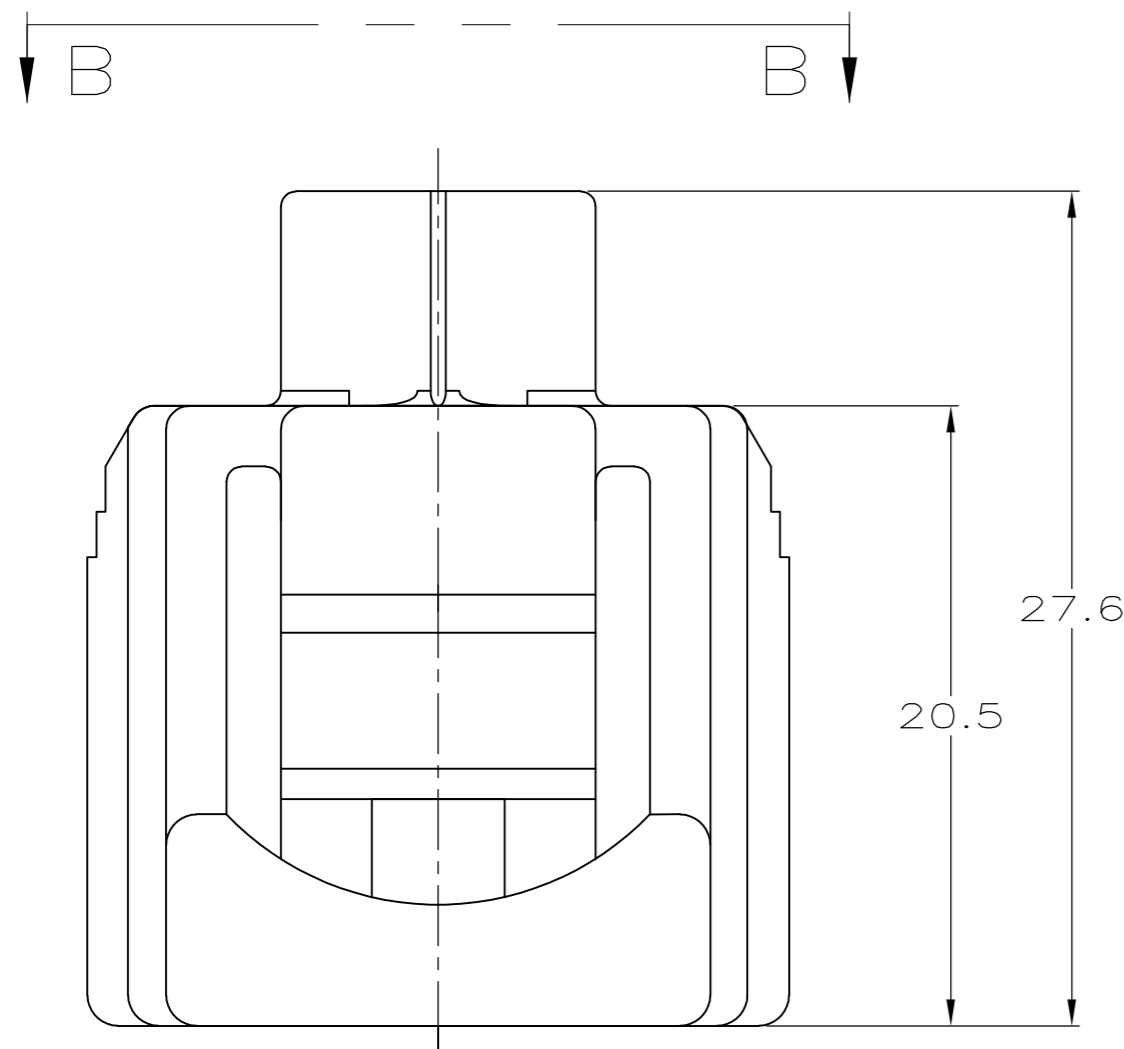
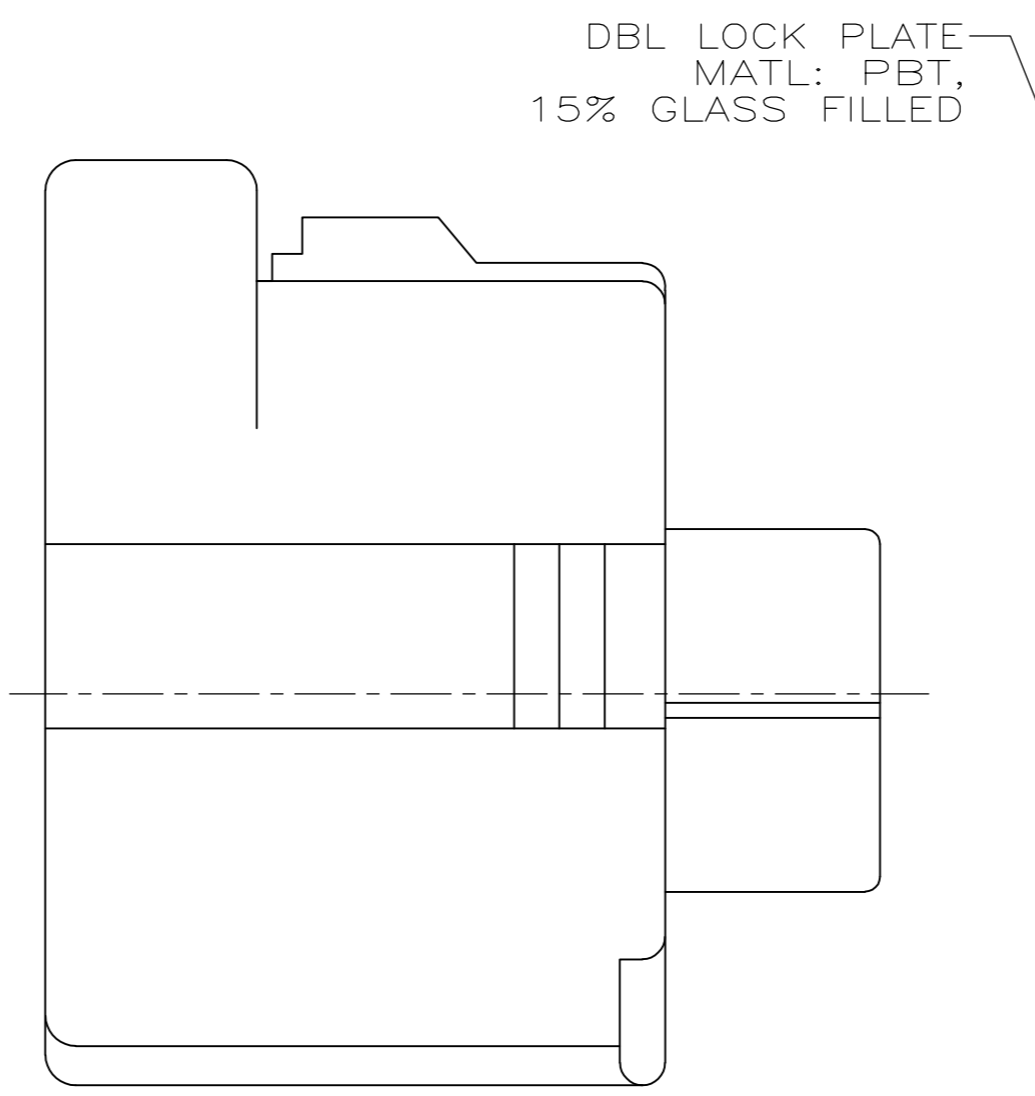
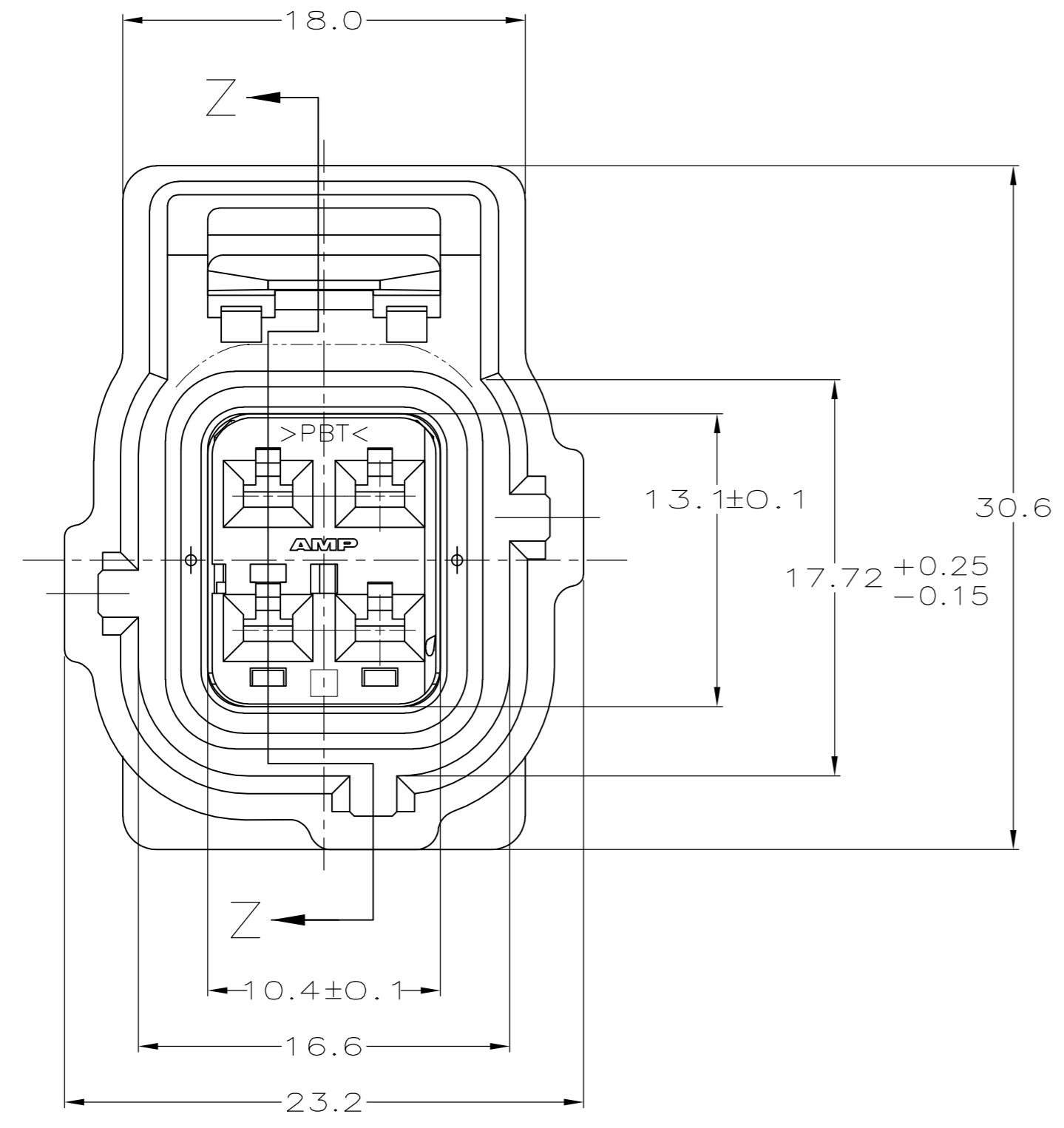


THIS DRAWING IS UNPUBLISHED. RELEASED FOR PUBLICATION  
 © COPYRIGHT BY TYCO ELECTRONICS CORPORATION. ALL INTERNATIONAL RIGHTS RESERVED.

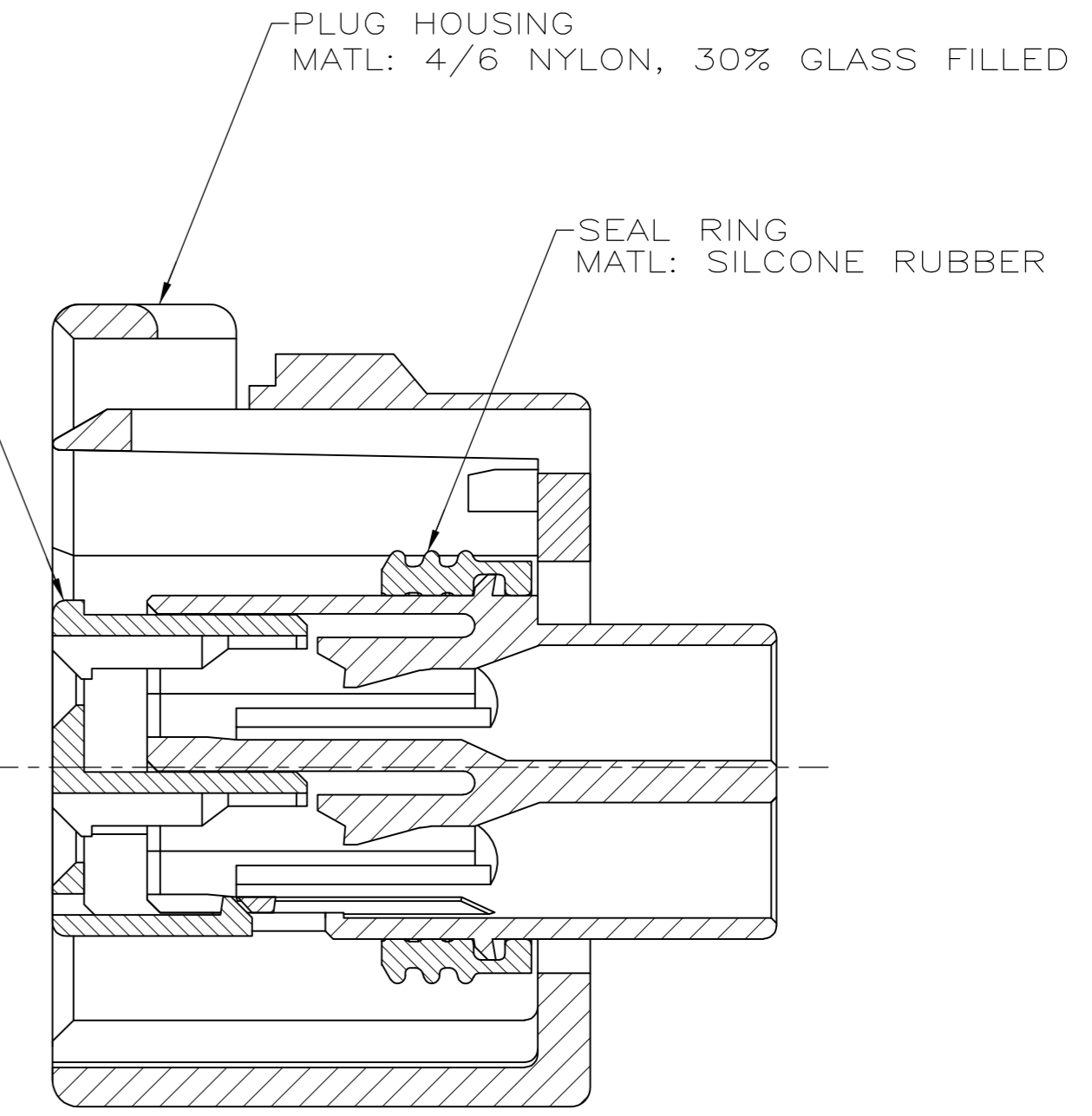
LOC	DIST	REVISIONS			
P	LTR	DESCRIPTION	DATE	DWN	APVD
GE	19	B	REVISED PER ECO-09-008507	09APR2009	DD MB



VIEW B-B



DBL LOCK PLATE  
 MATL: PBT,  
 15% GLASS FILLED



SECTION Z-Z  
 SCALE 4:1

BLACK	184383-1
PLUG COLOR	PART NUMBER

THIS DRAWING IS A CONTROLLED DOCUMENT.		DWN	AJ GRAFF	20MAR01	Tyco Electronics Corporation Harrisburg, PA 17105-3608
DIMENSIONS: mm		CHK	K COBLE	20MAR01	
TOLERANCES UNLESS OTHERWISE SPECIFIED:		APVD	K COBLE	20MAR01	
0 PLC ± - 1 PLC ± 0.3 2 PLC ± 0.15 3 PLC ± - 4 PLC ± - ANGLES ± - FINISH -		PRODUCT SPEC	-	NAME	
MATERIAL	-	APPLICATION SPEC	-	WEIGHT	-
CUSTOMER DRAWING		SIZE	A2	CAGE CODE	00779
		SCALE	4:1	DRAWING NO	C=184383
		SHEET	1 of 1	RESTRICTED TO	-
		REV	B		

184383

# Mouser Electronics

Authorized Distributor

Click to View Pricing, Inventory, Delivery & Lifecycle Information:

[TE Connectivity:](#)

[184383-1](#)