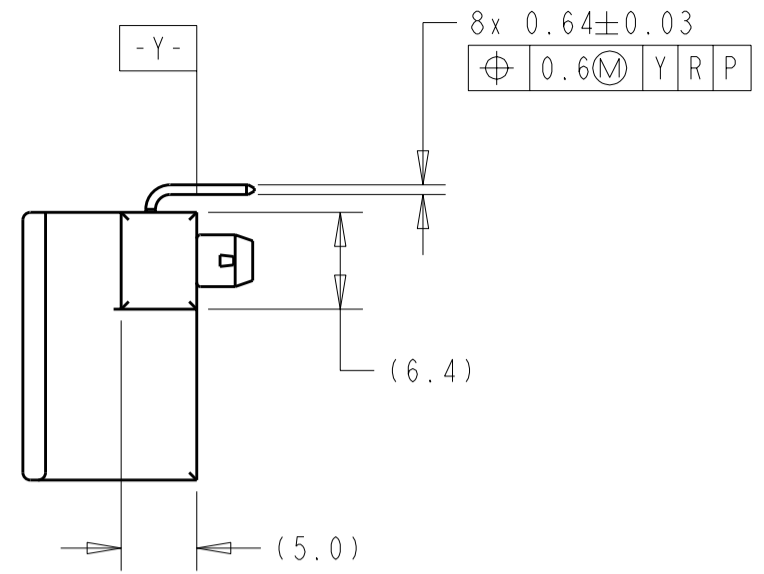
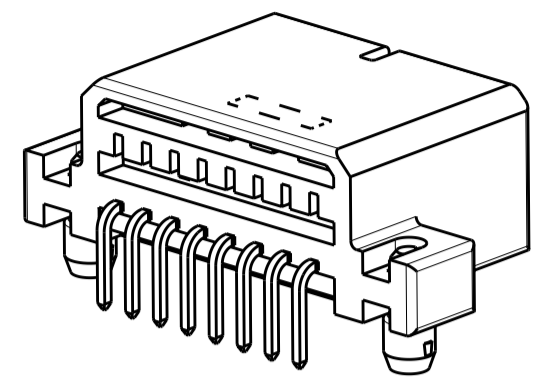
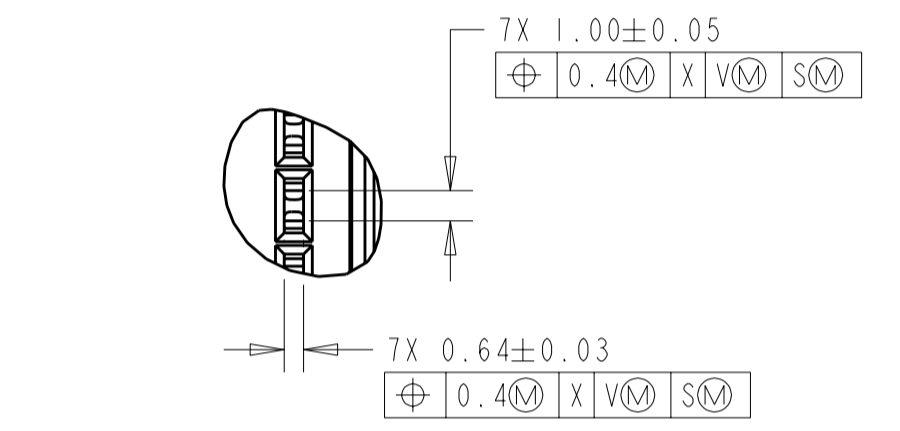
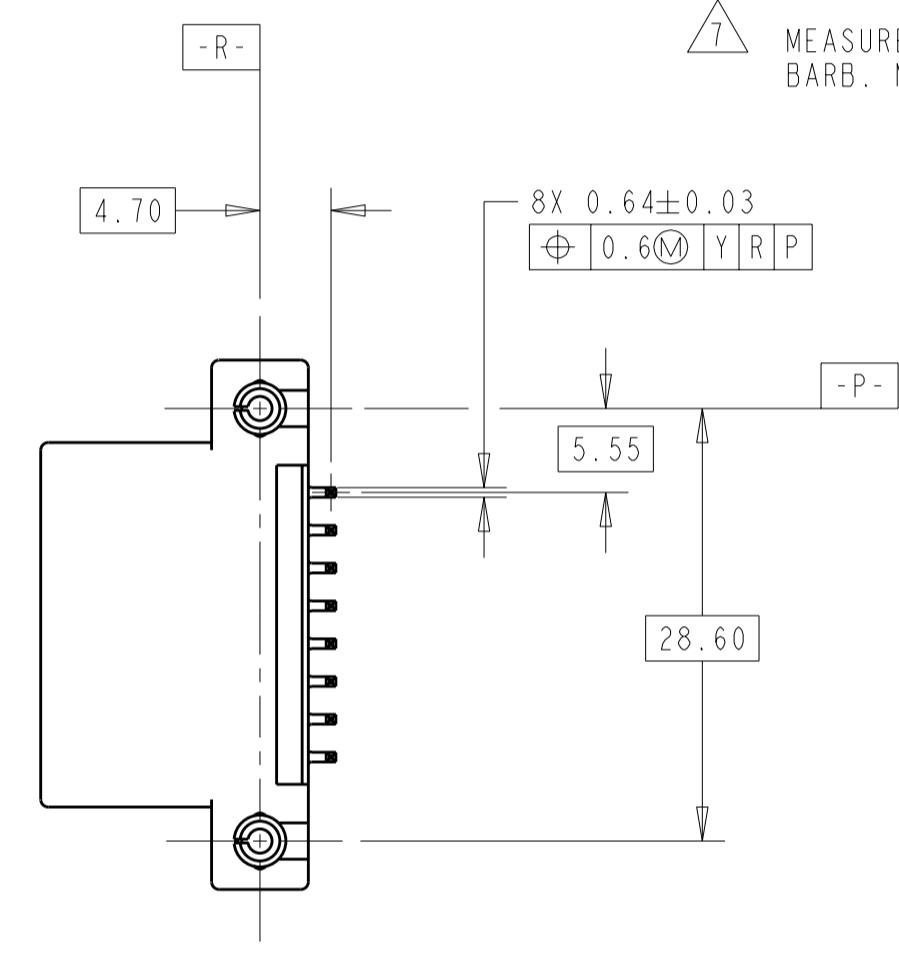
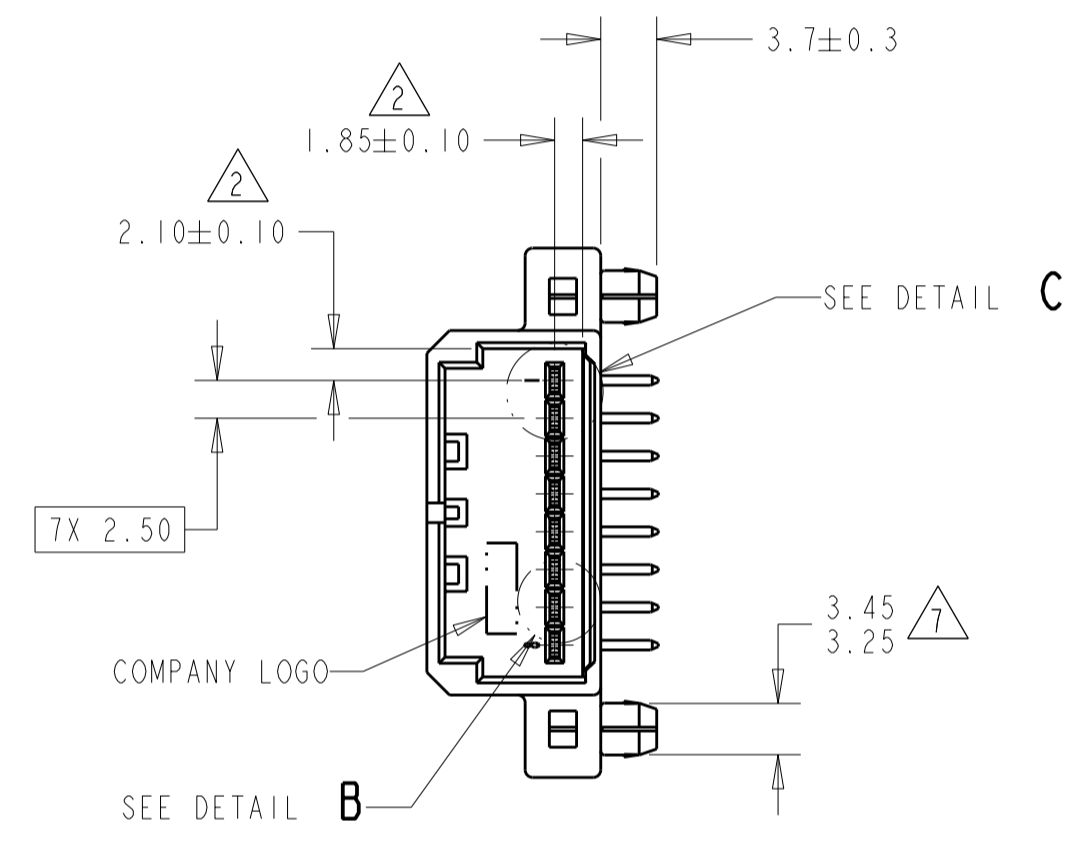
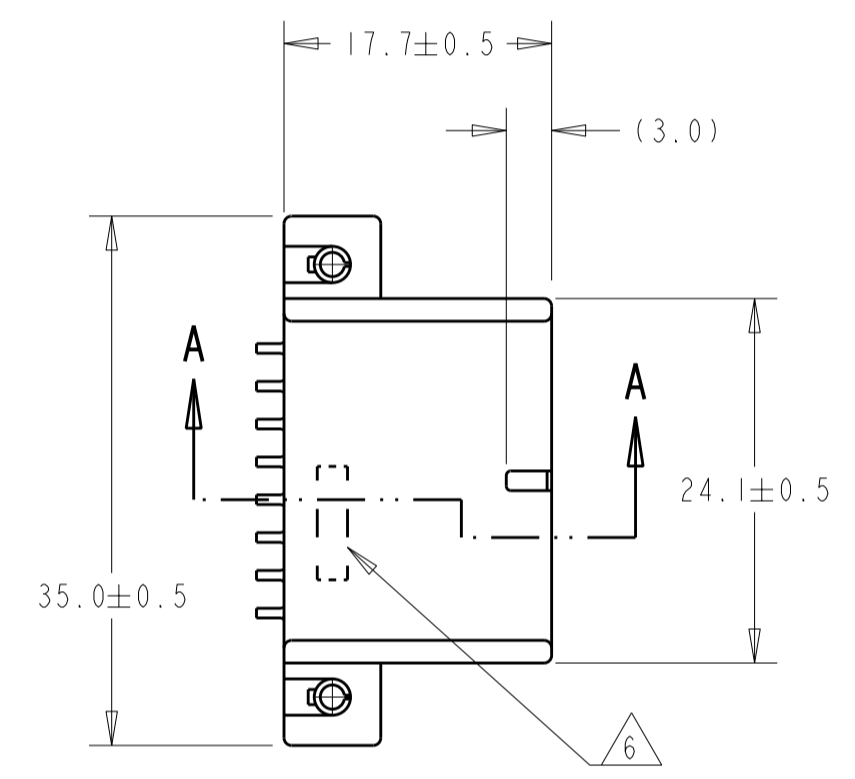


THIS DRAWING IS UNPUBLISHED. RELEASED FOR PUBLICATION  
 © COPYRIGHT 20 BY TYCO ELECTRONICS CORPORATION. ALL RIGHTS RESERVED.

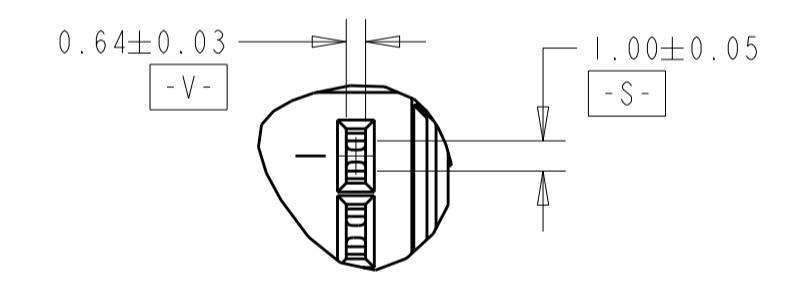
LOC	DIST	REVISIONS				
P	LTR	DESCRIPTION	DATE	DWN	APVD	
FX	00					
A		RELEASED PER EC 0K80-0231-02	26NOV2002	RGV	SSA	
B		REVISED PER EC 0K80-0077-03	14APR2003	AH	SSA	
B1		REVISED PER ECR 06-006932	28APR2006	DL D	SSA	
B2		REV PER ECR-10-008554	21APR2010	VSS	SA	



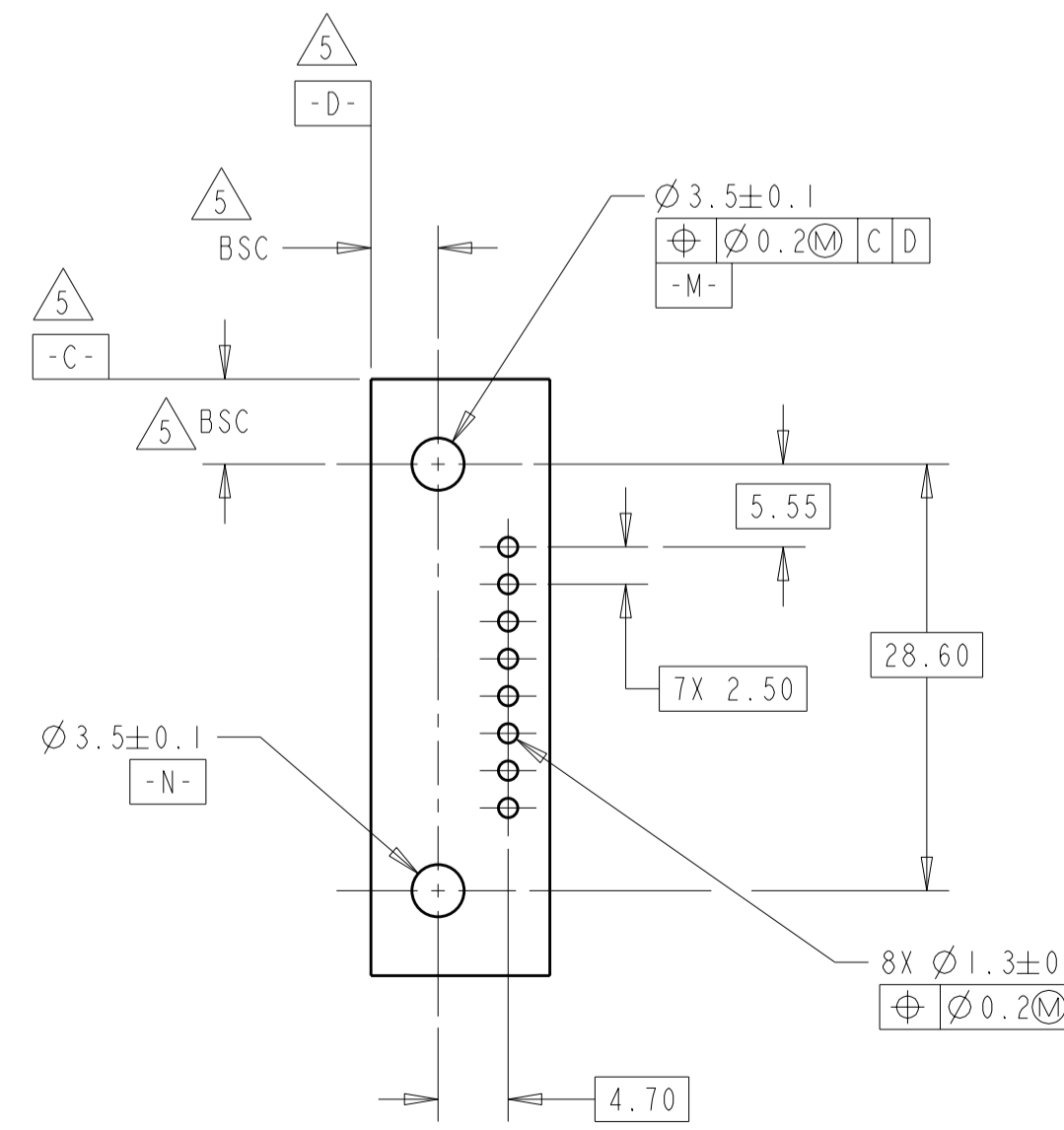
- TAB RETENTION FORCE: 3kg MIN.
- TO BE MEASURED BETWEEN **-X-** AND 2mm FROM **-X-**
- NO CRACKS PERMISSIBLE.
- MATING PLUG PART NUMBER 638971-2.
- DATUMS AND BASIC DIMENSIONS ESTABLISHED BY CUSTOMER.
- DATE CODE.
- MEASUREMENT MADE BETWEEN HOUSING AND BOARDLOCK RETENTION BARB. MEASURE ROTATED 0-45° AROUND CIRCUMFERENCE.



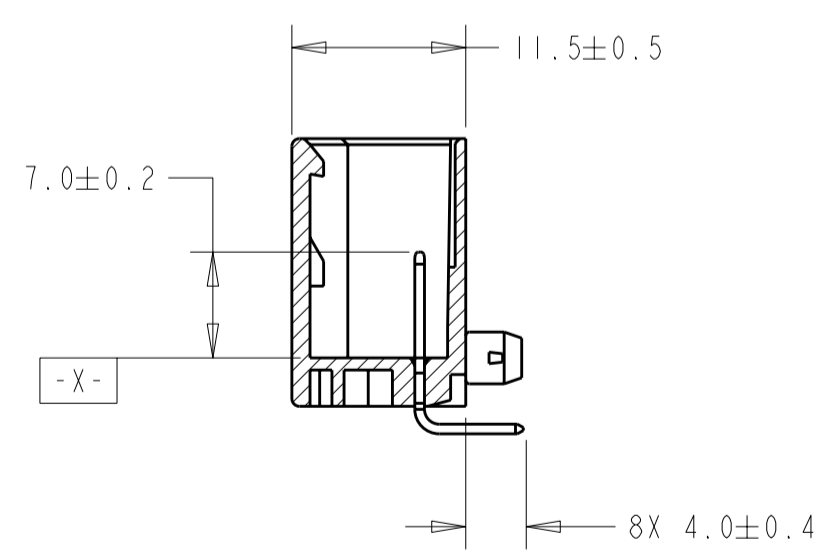
DETAIL B  
SCALE 4:1



DETAIL C  
SCALE 4:1



P.C. BOARD LAYOUT  
(SOLDER SIDE)



SECTION A-A

TIN OVER NICKEL	BRASS	BLACK	PCT	9-638973-2
CONTACT FINISH	CONTACT MATERIAL	COLOR	HOUSING MATERIAL	PART NUMBER

THIS DRAWING IS A CONTROLLED DOCUMENT FOR TYCO ELECTRONICS CORPORATION. IT IS SUBJECT TO CHANGE AND THE CONTROLLING ENGINEERING ORGANIZATION SHOULD BE CONTACTED FOR THE LATEST REVISION.		DWN A. HOLT 08 JAN 02	Tyco Electronics Harrisburg, PA 17105-3608	
DIMENSIONS: mm		CHK S. ASHLEY 08 JAN 02	NAME ASSEMBLY, 8 POSITION CAP, HORIZONTAL TYPE, .040 MULTI-LOCK/CPA, HIGH TEMPERATURE, WITH BOARDLOCKS	
TOLERANCES UNLESS OTHERWISE SPECIFIED: 0 PLC ± 1 PLC ±0.3 2 PLC ±0.15 3 PLC ± 4 PLC ± ANGLES ±° FINISH		APVD S. ASHLEY 08 JAN 02	RESTRICTED TO	
MATERIAL SEE TABLE		PRODUCT SPEC 108-5244	SIZE A2	CAGE CODE 00779
SEE TABLE		APPLICATION SPEC -	DRAWING NO 638973	REV B2
CUSTOMER DRAWING		WEIGHT 3.58g	SCALE 2:1	SHEET 1 OF 1

# Mouser Electronics

Authorized Distributor

Click to View Pricing, Inventory, Delivery & Lifecycle Information:

[TE Connectivity:](#)

[9-638973-2](#)