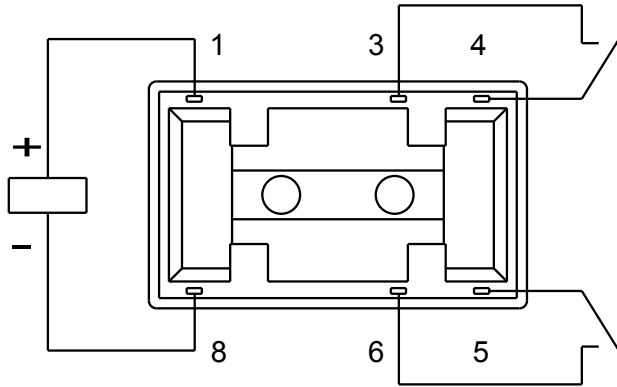
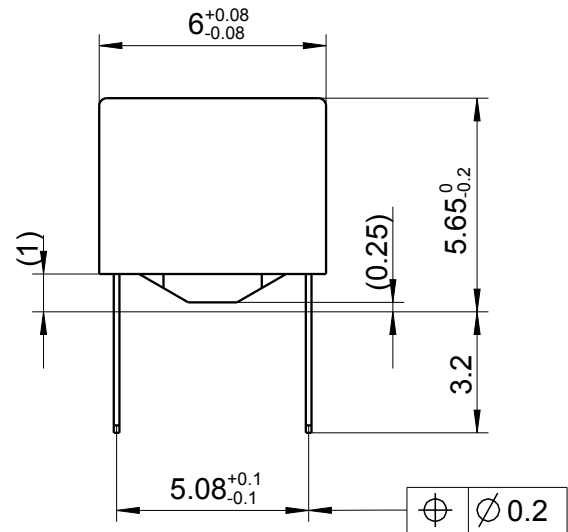
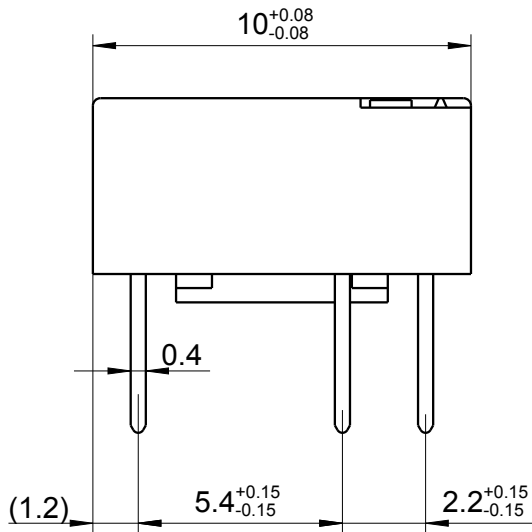


LOC	DIST	REVISIONS					
		P	LTR	DESCRIPTION	DATE	DWN	APVD
HJ	-		A2	REVISED PER ECO-11-005150	25MAR2011	UKo	AK
			A3	REVISED PER ECR-13-014508 (TE-Logo)	16SEP2013	UKo	AK



Relay - bottom view



XX = Relay type
 zz = nominal voltage
 YYWW = Date code

THIS DRAWING IS UNPUBLISHED. ALL RIGHTS RESERVED. © COPYRIGHT 2008

DIMENSIONS: mm	DWN UKo 9193	07AUG2008	MATERIAL	-	FINISH	-		
	CHK HD 9121	07AUG2008	TE Connectivity					
TOLERANCES UNLESS OTHERWISE SPECIFIED: DIN 7168-m	APVD HD 9121	07AUG2008						
0 PLC ± 1 PLC ± 2 PLC ± 3 PLC ± 4 PLC ± ANGLES ±	PRODUCT SPEC	-	IME-Relay THT (2 Form A) Dimensions					
	APPLICATION SPEC	-						
	WEIGHT	-	SIZE	A4	CAGE CODE	00779		
	CUSTOMER DRAWING		DRAWING NO	C-1462043-1		RESTRICTED TO	-	
			SCALE	5:1	SHEET	1 OF 1	REV	A3

Mouser Electronics

Authorized Distributor

Click to View Pricing, Inventory, Delivery & Lifecycle Information:

[TE Connectivity:](#)

[1462043-6](#)