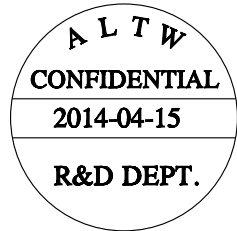
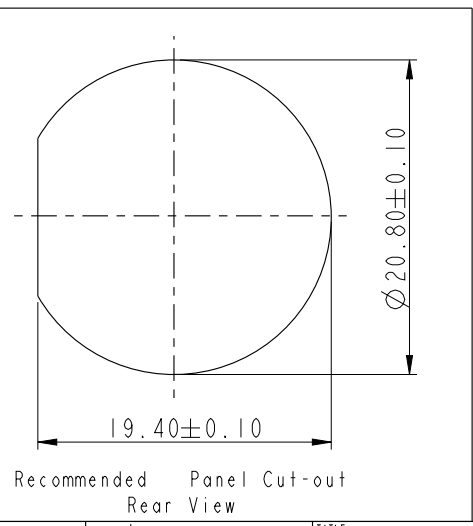
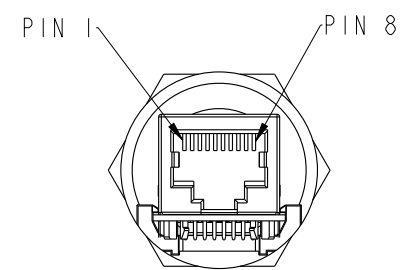
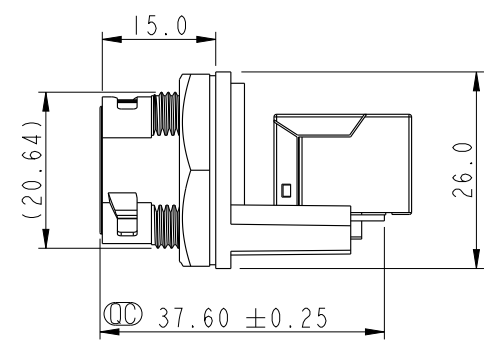
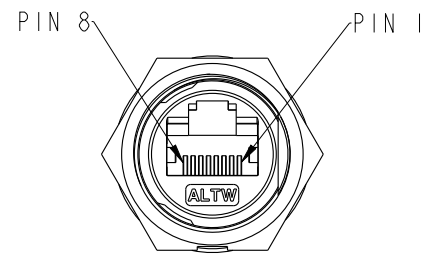
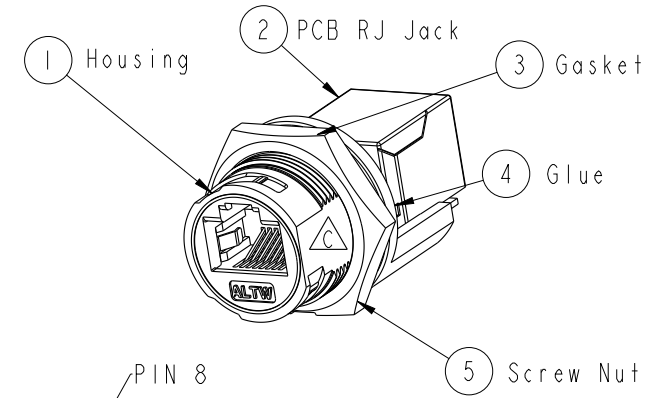
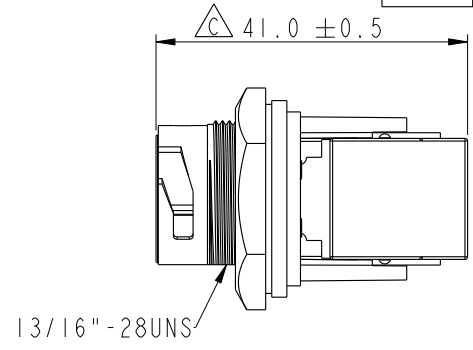


THIS DOCUMENT IS SUBJECT TO CHANGE WITHOUT NOTICE. IT IS CONFIDENTIAL AND A PROPERTY OF AMPHENOL LTW. DISCLOSURE TO THIRD PARTY HAS TO BE AUTHORIZED BY AMPHENOL LTW.

REV.	ECN NO.	DATE	SIGN	DESCRIPTION
B	LE313A0338	2013-10-23	Raison	Modify Jack, Note
C	LEN1440159	2014-04-15	Tom_gu	Change D Cut



- Note:
- * \varnothing Important Dimension
 - * Waterproof Rate : IP67 Unmated
 - * Housing : Nylon+GF, UL 94V-0, BLACK
 - * Screw Nut : Nylon+GF, BLACK
 - * \triangle Gasket : Silicone, UL 94V-0, Gray.
 - * PCB: FR-4
 - * Jack : PBT Polyester UL 94V-0
 - * \triangle Use without Waterproof cap or Dust cap
For Panel Thickness Max: 4.2mm
 - * Use with Waterproof cap or Dust cap
For Panel Thickness Max: 3.0mm
 - * \triangle Screw torsion value range: 8~12kgf-cm

UNIT : mm	
TOLERANCE	
.X	±0.25
.XX	±0.1
.XXX	±0.05
ANGLES	±1°

TITLE RJ45, C SIZE, WATERPROOF			
SCALE 1:1	SIZE A4	SHEET 1 OF 1	
REV. C	WC-REV. B.3	\varnothing : Inspection item	

Amphenol LTW
安費諾亮泰企業股份有限公司

ITEM NO RCP-5SPFFH-TCU7001	DRAWN BY Tom_gu	DATE 2014-04-15
DWG NO RCP-5SPFFH-TCU7001	CHECKED BY Tony	DATE 2014-04-15
CUSTOMER ALTW	APPROVED BY Victor	DATE 2014-04-15

Mouser Electronics

Authorized Distributor

Click to View Pricing, Inventory, Delivery & Lifecycle Information:

[Amphenol:](#)

[RCP-5SPFFH-TCU7001](#)