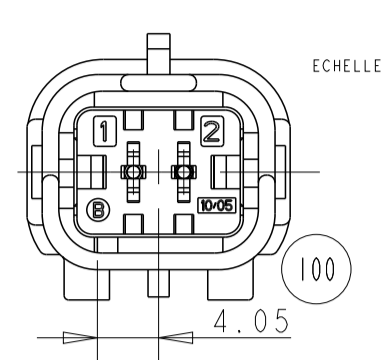
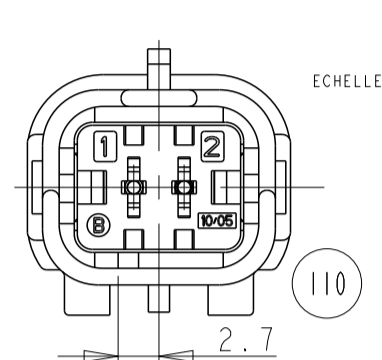
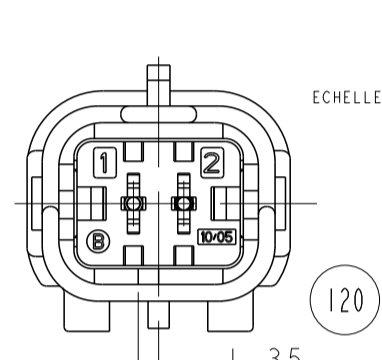
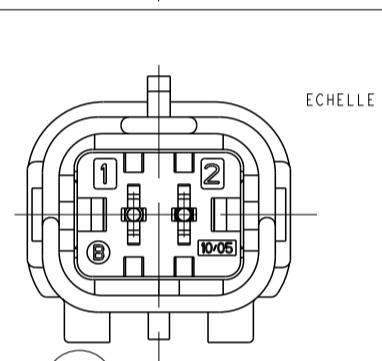
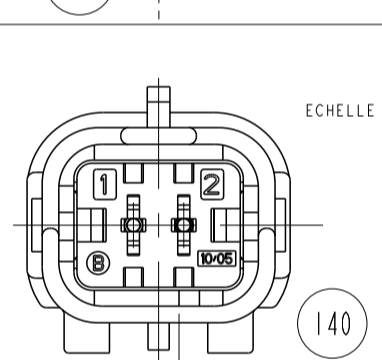
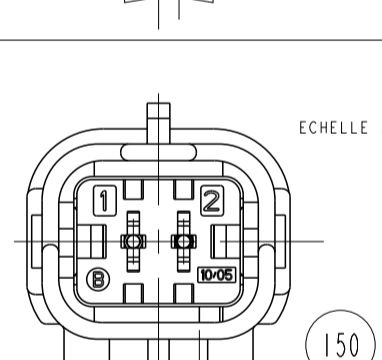
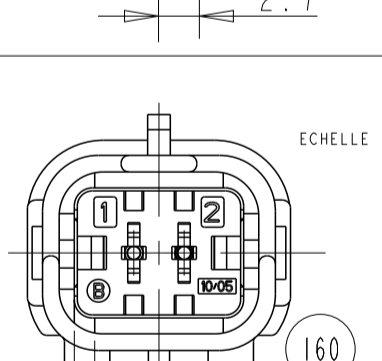
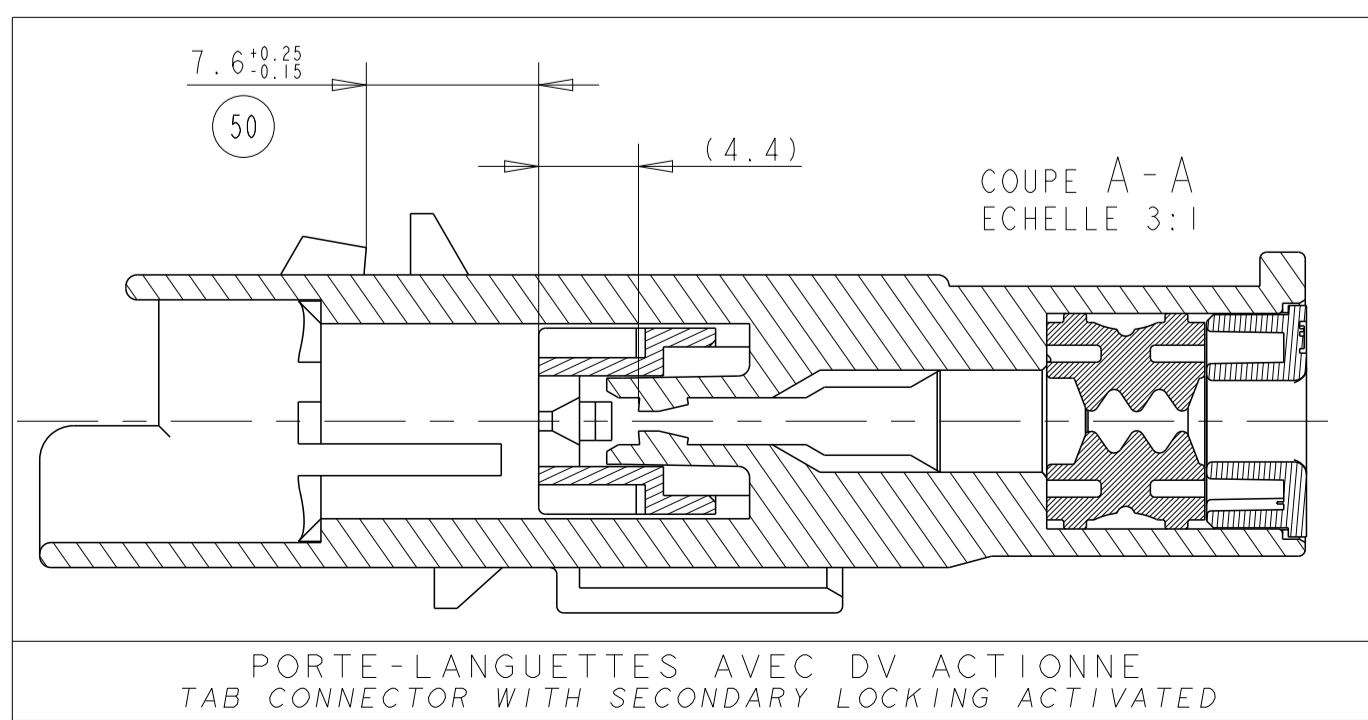
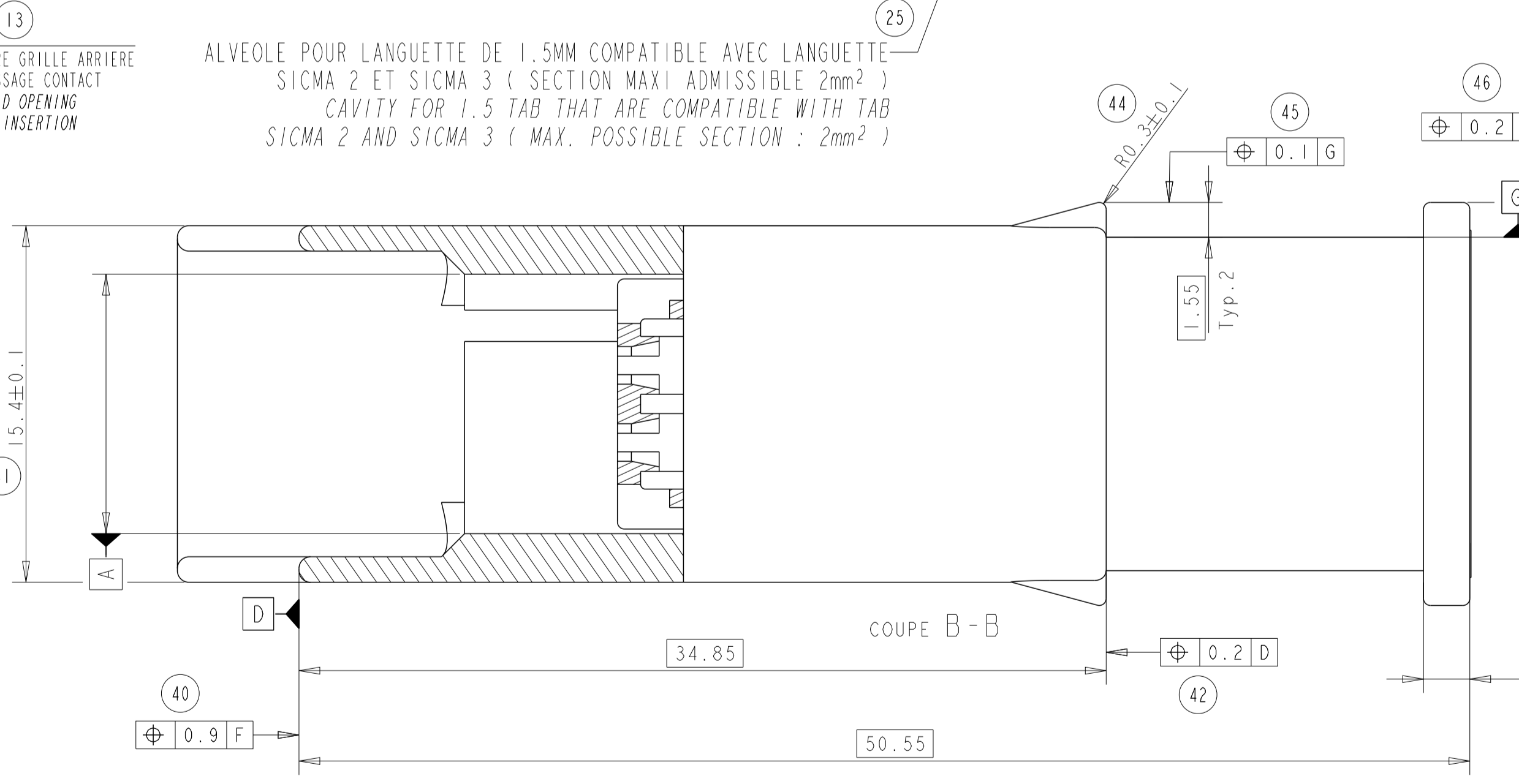
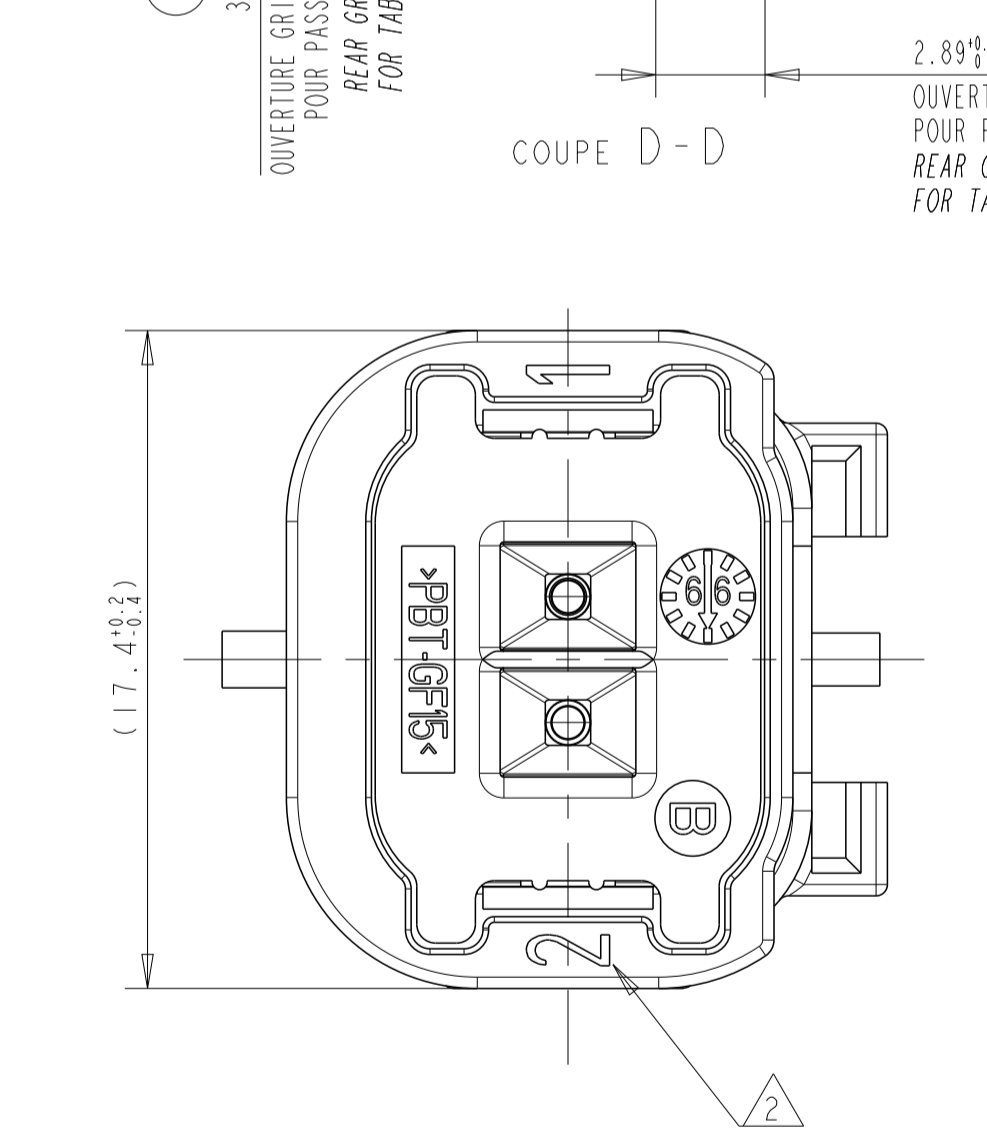
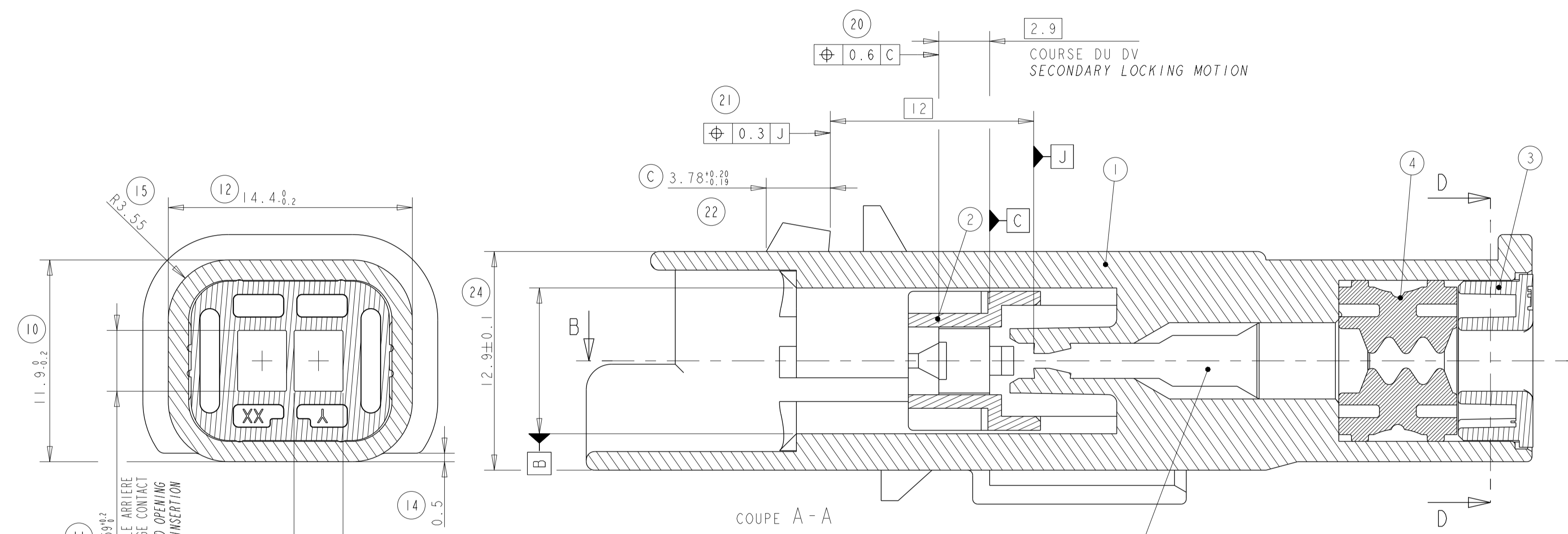
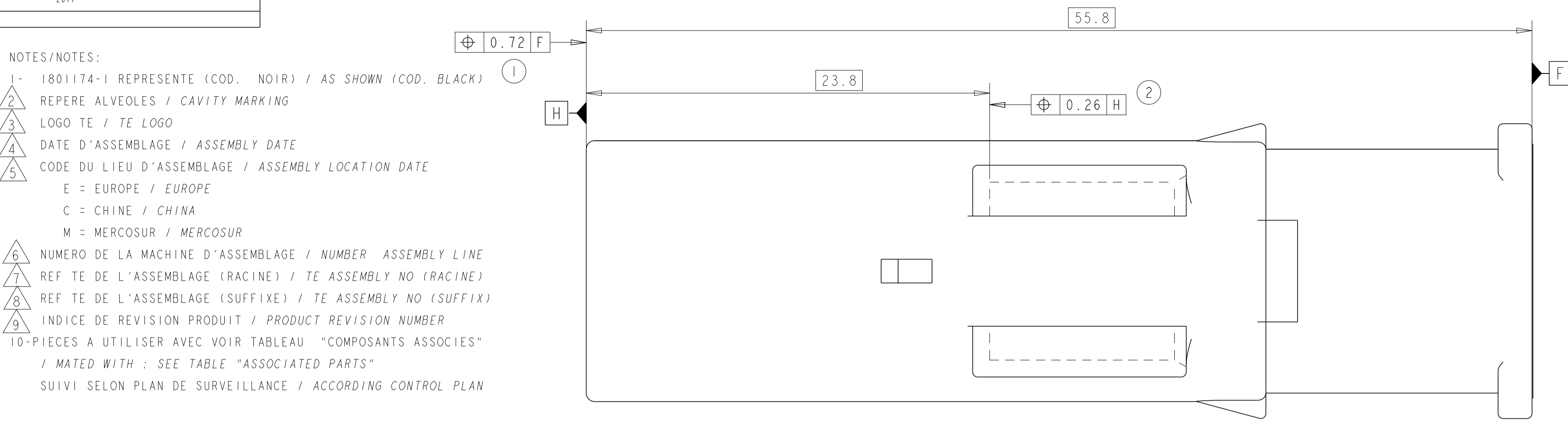


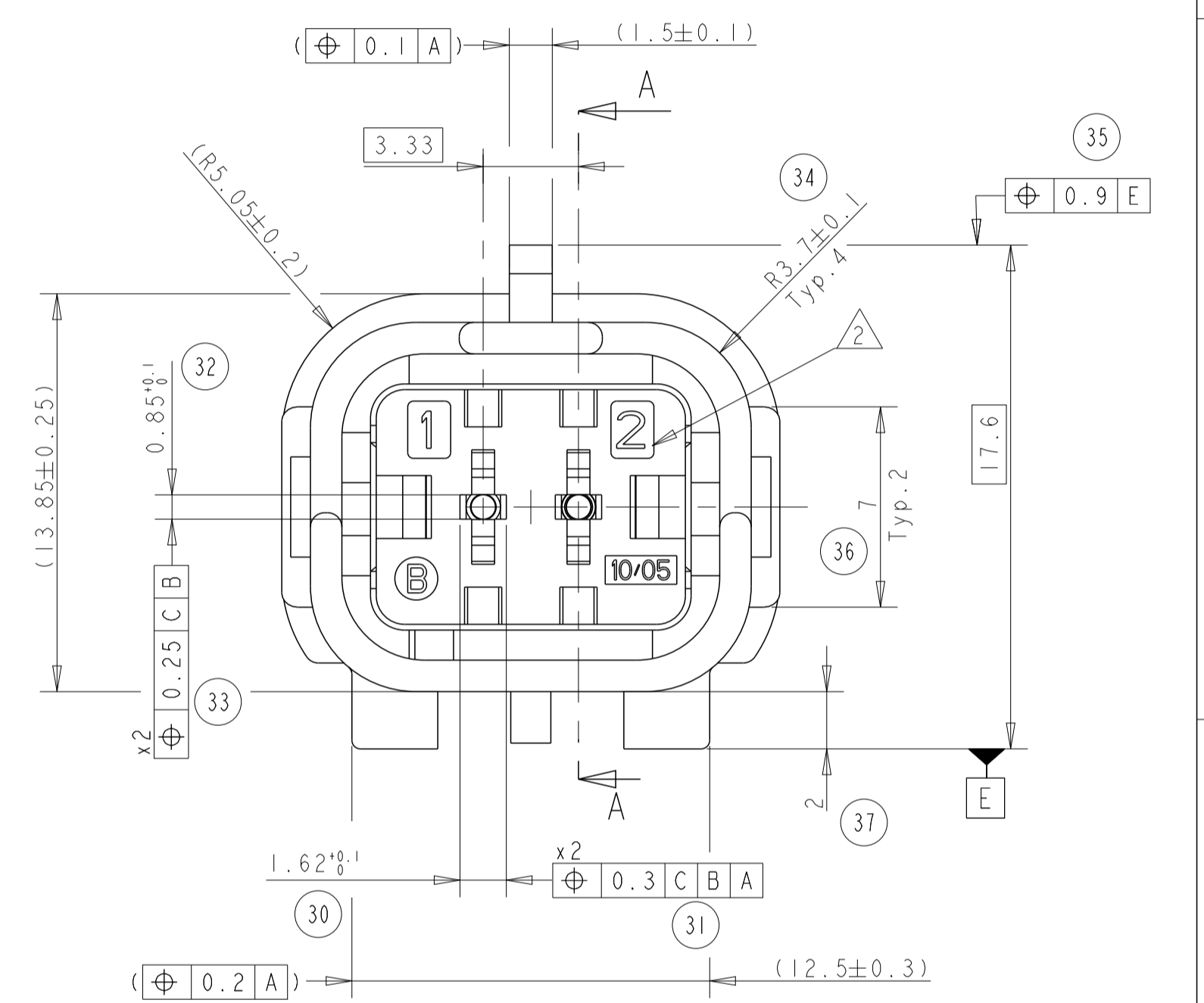
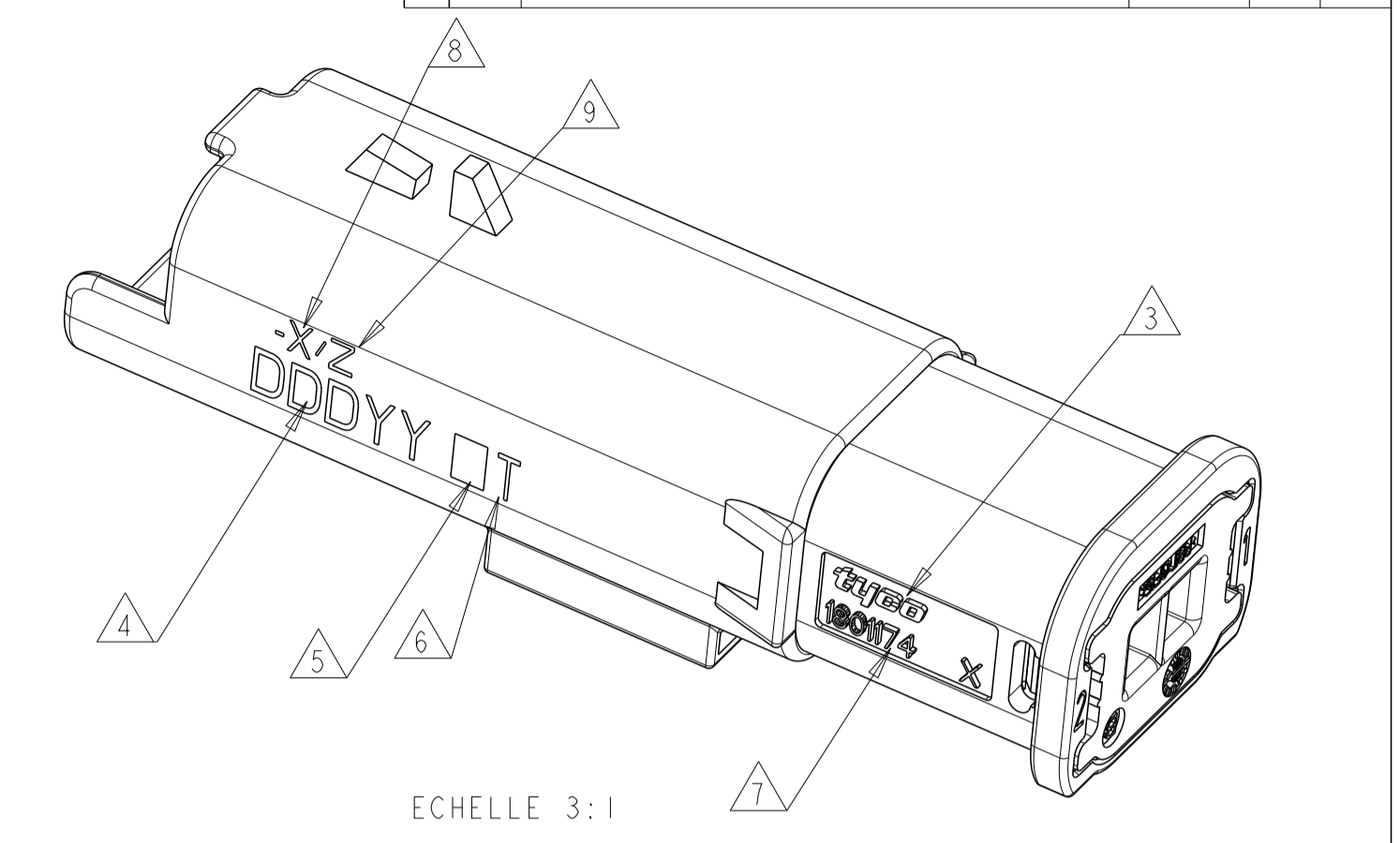
REF. TE TE INO. INDEX DE REVISION PRODUCT REVISION NUMBER	COULEUR COLOR	TOLERANCE POUR DETROMPAGE: ±0.05 KEYING TOLERANCE
1801174-1	NOIR BLACK	
1801174-2	BLEU BLUE	
1801174-3	GRIS GREY	
1801174-4	JAUNE YELLOW	
1801174-5	VERT GREEN	
1801174-6	MARRON BROWN	
1801174-7	BLANC WHITE	

NOTES/NOTES:

- 1801174-1 REPRESENTE (COD. NOIR) / AS SHOWN (COD. BLACK)
- REPERE ALVEOLES / CAVITY MARKING
- LOGO TE / TE LOGO
- DATE D'ASSEMBLAGE / ASSEMBLY DATE
- CODE DU LIEU D'ASSEMBLAGE / ASSEMBLY LOCATION DATE
- E = EUROPE / EUROPE
- C = CHINE / CHINA
- M = MERCOSUR / MERCOSUR
- NUMERO DE LA MACHINE D'ASSEMBLAGE / NUMBER ASSEMBLY LINE
- REF. TE DE L'ASSEMBLAGE (RACINE) / TE ASSEMBLY NO (RACINE)
- REF. TE DE L'ASSEMBLAGE (SUFFIXE) / TE ASSEMBLY NO (SUFFIXE)
- INDICE DE REVISION PRODUIT / PRODUCT REVISION NUMBER
- PIECES A UTILISER AVEC VOIR TABLEAU "COMPOSANTS ASSOCIES" / MATED WITH : SEE TABLE "ASSOCIATED PARTS"
- SUIVI SELON PLAN DE SURVEILLANCE / ACCORDING CONTROL PLAN



LOC	DIST	REV	DATE	APPV
F	00	B	21NOV2011	FJ XR
		C	17MAY2016	FJ XR



SECTION CABLE ADMISSIBLE PAR CONTACT  
ACCEPTABLE CABLE SECTIONS PER CONTACT

La section des câbles utilisés doit être comprise entre 0,5 et 2mm<sup>2</sup>  
(Ø fil min= 1,40mm; Ø fil Maxi= 2,80mm)

The cross-section of the cables used must be between 0,5 and 2mm<sup>2</sup>  
(Ø wire min= 1,40mm; Ø wire Max= 2,80mm)

DESCRIPTION	MATIERE	TE NO
CAPOT FIXE 2 VOIES - SORTIE GAUCHE/DROITE FIXED COVER 2 WAYS - LEFT/RIGHT EXIT	POUR GAINNE ANNELEE DE 6mm FOR CORRUGATED TUBE OF 6mm	1801466-1
CAPOT FIXE 2 VOIES - SORTIE HAUT/BAS FIXED COVER 2 WAYS - UP/DOWN EXIT	POUR GAINNE ANNELEE DE 6mm FOR CORRUGATED TUBE OF 6mm	1801466-2
CAPOT FIXE 2 VOIES - SORTIE AXIALE FIXED COVER 2 WAYS - EXIT IN LINE	POUR GAINNE ANNELEE DE 6mm FOR CORRUGATED TUBE OF 6mm	1801155-5
CAPOT ROTATIF 90 DEG. 2 VOIES ROTATIVE COVER 90 DEG. 2 WAYS	POUR GAINNE ANNELEE DE 6mm FOR CORRUGATED TUBE OF 6mm	1801356-1
PORTE-CLIP 2 VOIES SPRING LOCK 2 WAYS RECEPTACLE CONNECTOR SPRING LOCK	POUR GAINNE ANNELEE DE 6mm FOR CORRUGATED TUBE OF 6mm	1801176-X
PORTE-CLIP 2 VOIES HP 2 WAYS RECEPTACLE CONNECTOR HP	POUR GAINNE ANNELEE DE 6mm FOR CORRUGATED TUBE OF 6mm	X-1801175-X

COULEUR	MATIERE	DESCRIPTION	REP. ITEM
VERT GREEN	SILICONE LUBRIFIE A 5% ; DURETE 30 SHORE A LUBRIFICATED SILICON TO 5% ; HARNESS 30 SH. A	JOINT GROMMET GROMMET SEAL	4
NOIR BLACK	PBT-GF15 (MATIERE: HB) (HB MATERIAL)	GRILLE ARRIERE REAR GRID	3
JAUNE YELLOW	PBT-GF15 (MATIERE: HB) (HB MATERIAL)	DOUBLE VERROUILLAGE SECONDARY LOCKING	2
VOIR TABLEAU DES REF. SEE TABLE OF PART NO.	PBT-GF15 (MATIERE: HB) (HB MATERIAL)	PORTE-LANGUETTES CODAGE (VOIR TABLEAU DES REF.) TAB HOUSING CODING (SEE TABLE OF PART NO.)	1

THIS DRAWING IS A CONTROLLED DOCUMENT. DWG: F. JODON 02JUN2009. CHK: X. ROULLARD 04JUN2009. APVD: X. ROULLARD 04JUN2009.

DIMENSIONS: mm. TOLERANCES UNLESS OTHERWISE SPECIFIED: 0 PLC ±, 1 PLC ±0.2, 2 PLC ±, 3 PLC ±, 4 PLC ±, ANGLES ±2°.

MATERIAL: SEE TABLE. FINISH: SEE TABLE.

TE Connectivity  
2 WAYS TAB CONNECTOR HP  
PORTE-LANGUETTES 2 Voies HP

SIZE: A1. CAGE CODE: ME0-1801174-PSA. DRAWING NO: 108-15378. WEIGHT: 7,4g. RESTRICTED TO: CUSTOMER DRAWING.

# Mouser Electronics

Authorized Distributor

Click to View Pricing, Inventory, Delivery & Lifecycle Information:

[TE Connectivity:](#)

[1801174-2](#)