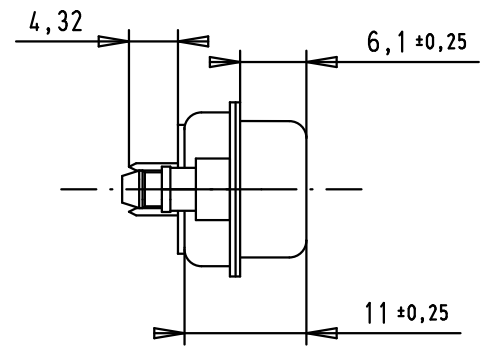
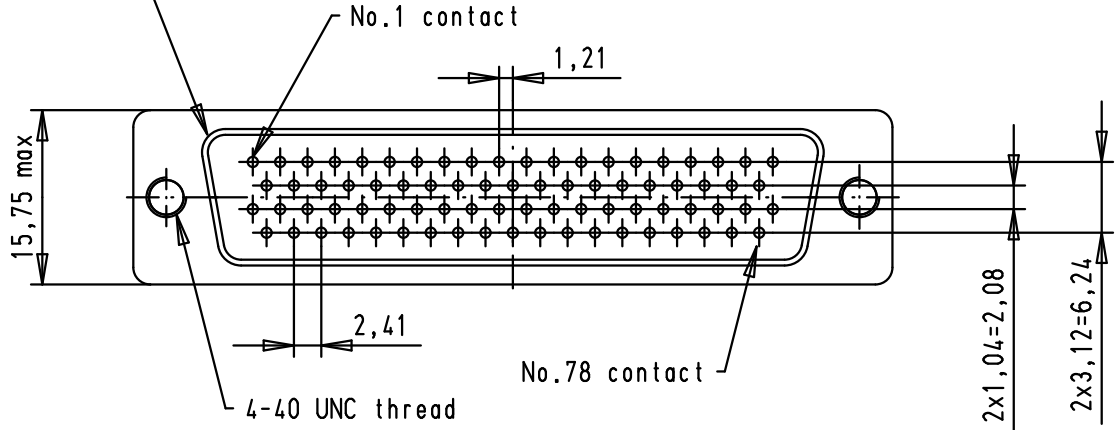
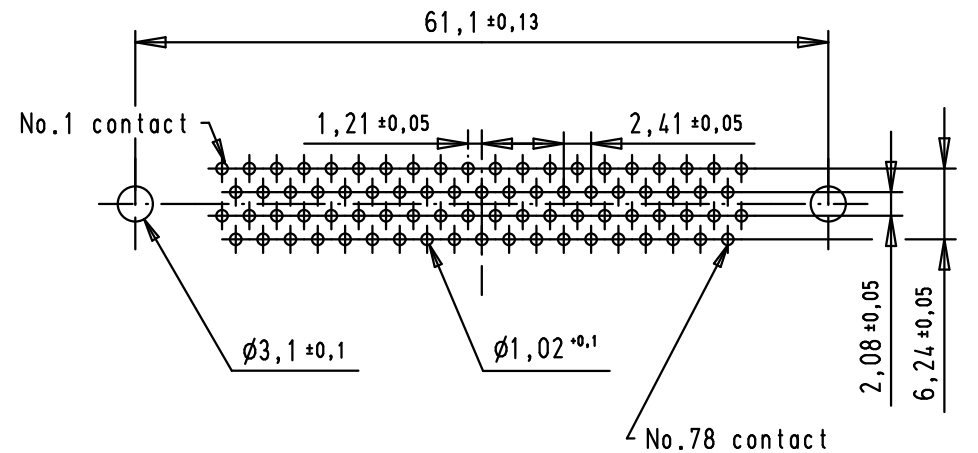
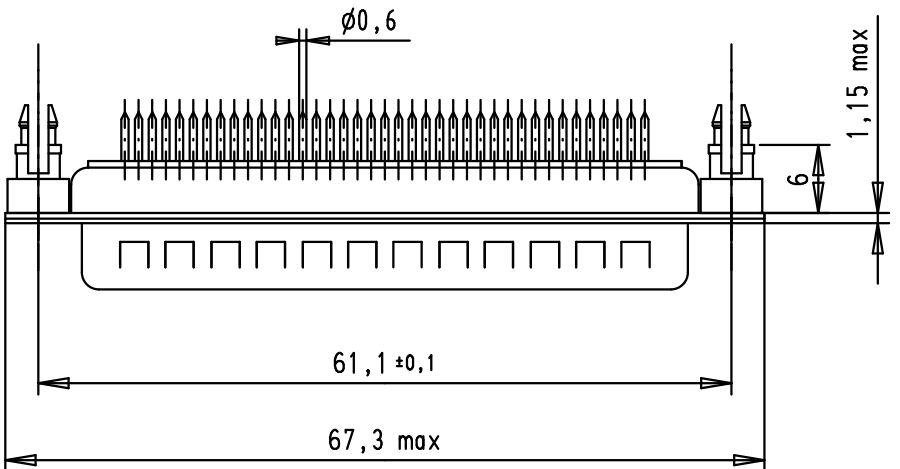


5 4 3 2 1

Mating face according to MIL-C-24308 / DIN 40 652 / CECC 75301-802




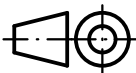
Printed board layout, component side
PCB thickness 1,6mm



09565615712	0.76 μm Au
09565617712	3
Part number	Performance level

36182	13/10/10	BH
33789	20/07/06	PK
33088	05/09/05	JMDR
32735	18/03/05	AL
32326	03/01/05	TR
31874	05/03/04	A.C.
31503	03/06/03	S.H.
Mod.	Dat.	Name

	Dat.	Name
Detail.	03/06/03	S.H.
Insp.		
Stand.		
		
HARTING EURL F-95972 Paris		

 All Dim. in mm Orig. Size DIN A 4	Dsub, 78 poles, male, straight solder pins, board locks, shell with dimples	Maßstab/ Scale 1.5:1
		Blatt/ Page 1 / 1
Sub.	TB 09 56 561 x712	

Mouser Electronics

Authorized Distributor

Click to View Pricing, Inventory, Delivery & Lifecycle Information:

[HARTING:](#)

[09565615712](#) [09565617712](#)