

# MICRO SWITCH

A DIVISION OF MINNEAPOLIS-HONEYWELL REGULATOR COMPANY  
FREEPORT, ILLINOIS

FED. MFR. CODE 91929

# ACTUATOR-SWITCH

CATALOG LISTING

## JX-46

JX-46

M

DRAWING NUMBER

X26

X33

ISSUE

33

REPLACES

RELEASE NO. SR 9213

CHECK

REVISIONS

A CO15829

MBF

17 APRIL 61

B CO22579

OMW

28 APR 67

C CO22579

MBF

19 APR 68

D CO79303

DLT

8 MAR 95

E CO82929

DLT

13 MAY 96

CHECK

29 AUG 60

MBF

29 AUG 60

MBF

29 AUG 60

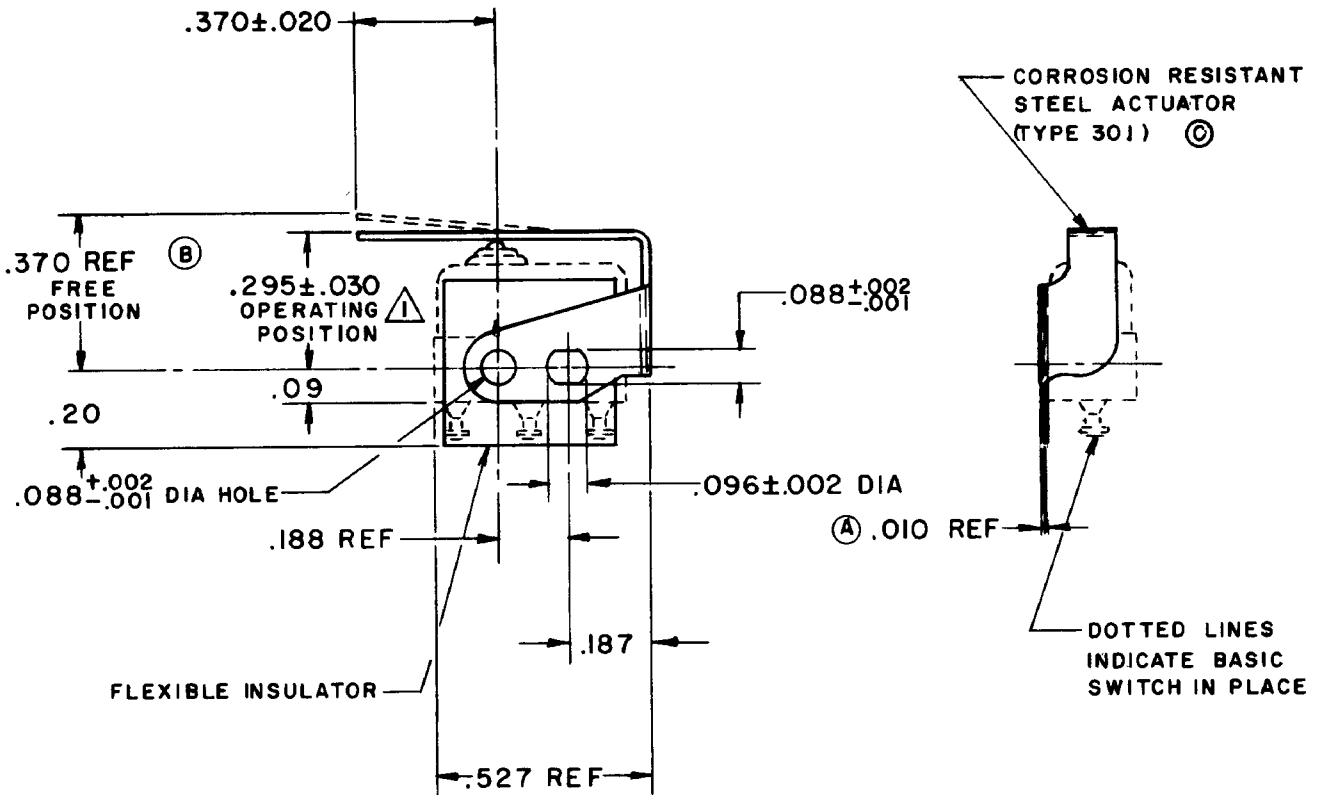
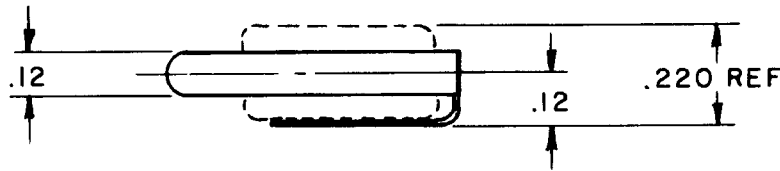
MBF

29 AUG 60

MBF

29 AUG 60

MBF



NOTE -  
 ⚠️ SLIGHT ROTATION BETWEEN BASIC AND ACTUATOR MAY BE NECESSARY TO OBTAIN OPERATING POSITION, BASED ON USING NO. 2-56 MOUNTING SCREWS

THIS DRAWING COVERS A PROPRIETARY ITEM AND IS THE PROPERTY OF MICRO SWITCH, A DIVISION OF MINNEAPOLIS-HONEYWELL REGULATOR CO. THIS DRAWING IS NOT TO BE COPIED OR USED WITHOUT THE APPROVAL OF MICRO SWITCH.

**CHARACTERISTICS WITH ISX1-T BASIC SWITCH INSTALLED**

OPERATING FORCE	6 OZ MAX
RELEASE FORCE	1 OZ MIN
DIFFERENTIAL TRAVEL	.025 MAX
OVERTRAVEL	.015 MIN

**ELECTRICAL DATA**

CONTACT ARRANGEMENT	BREAK DISTANCE
---------------------	----------------

SCALE 2 TO 1

DO NOT SCALE PRINT

UNLESS OTHERWISE SPECIFIED  
 DIMENSIONS ARE IN INCHES

**TOLERANCES ARE:**

ONE PLACE	(.0)	±.030
TWO PLACE	(.00)	±.015
THREE PLACE	(.000)	±.005
ANGLES		±

WEIGHT

# Mouser Electronics

Authorized Distributor

Click to View Pricing, Inventory, Delivery & Lifecycle Information:

[Honeywell:](#)

[JX-46](#)