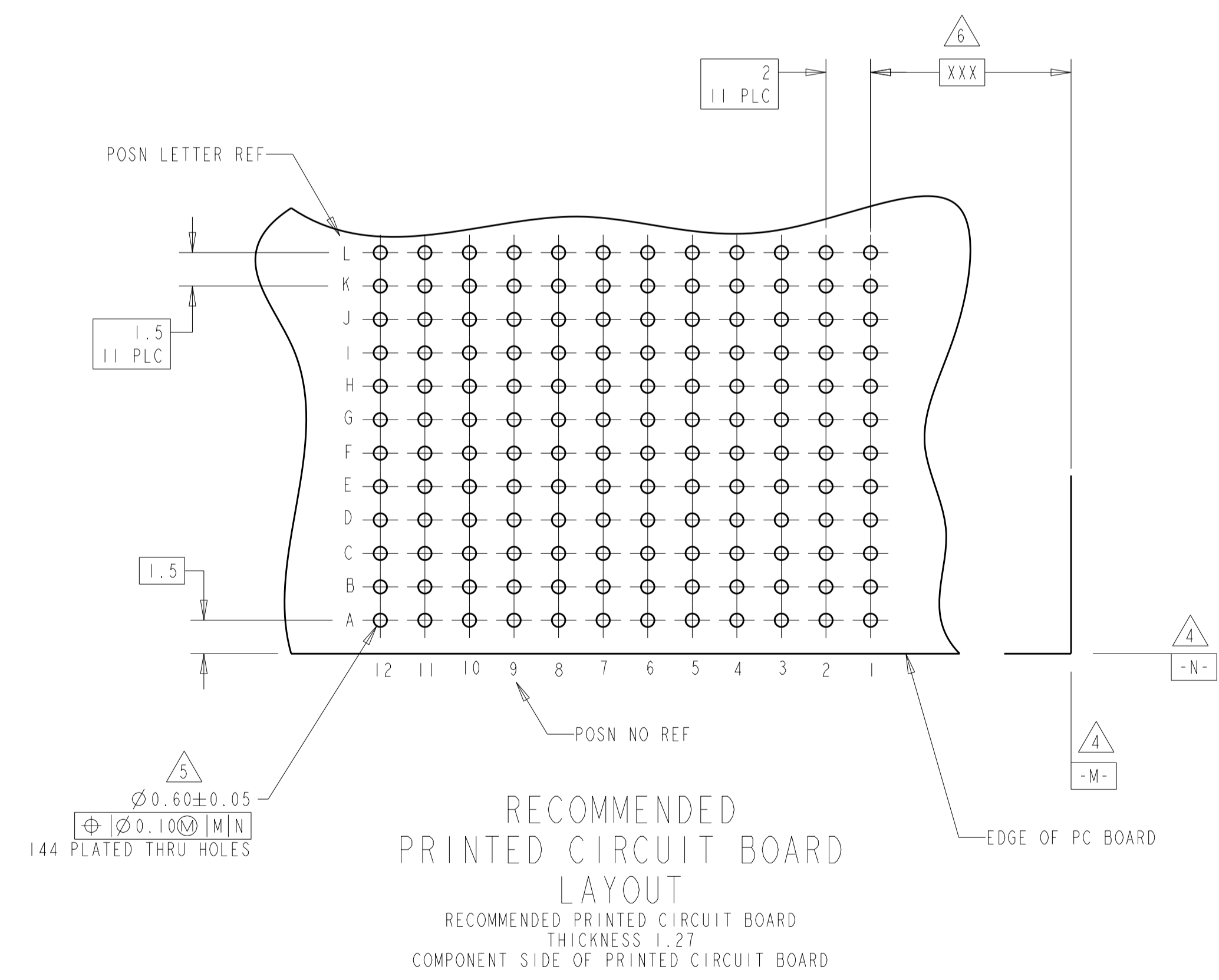
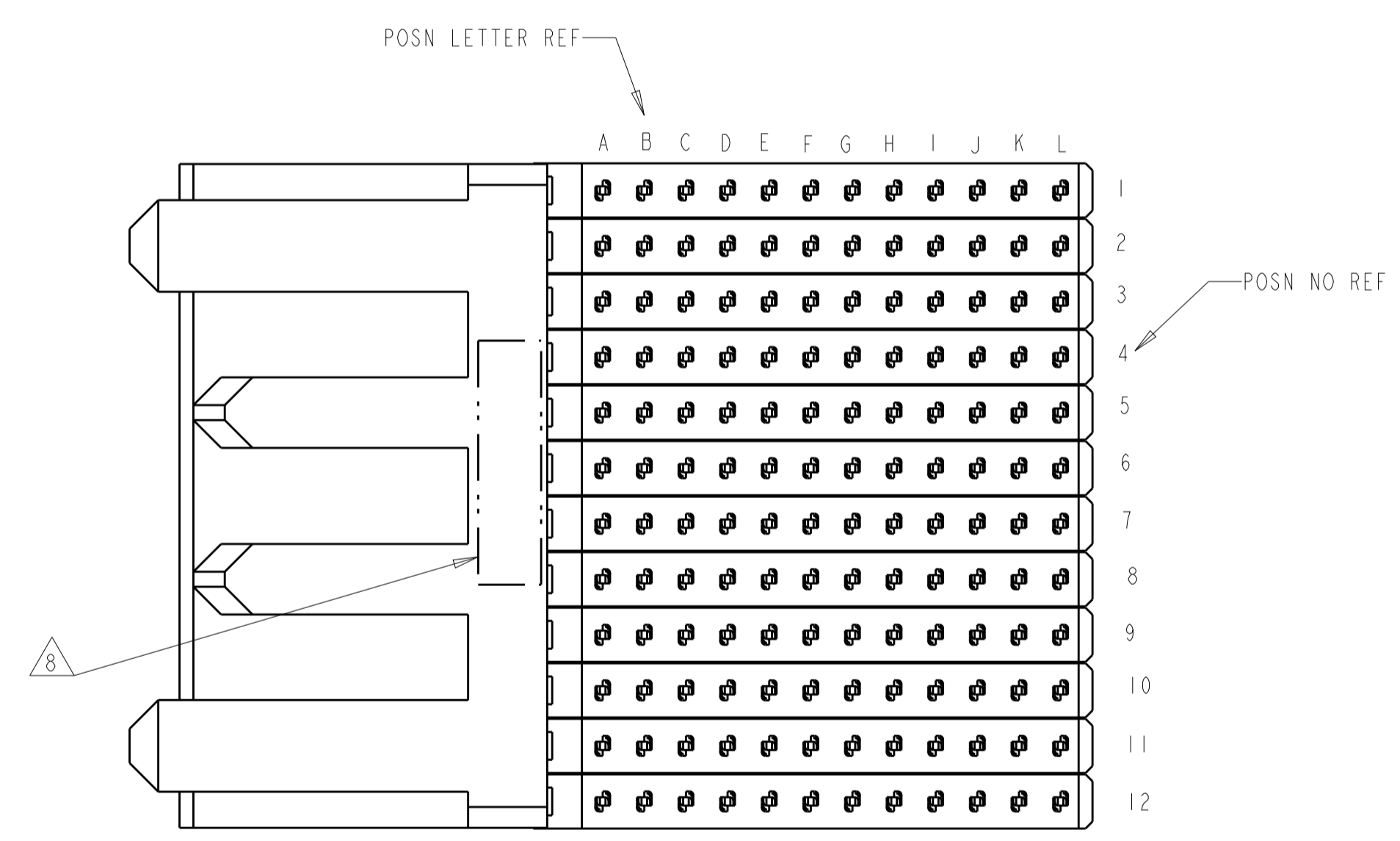
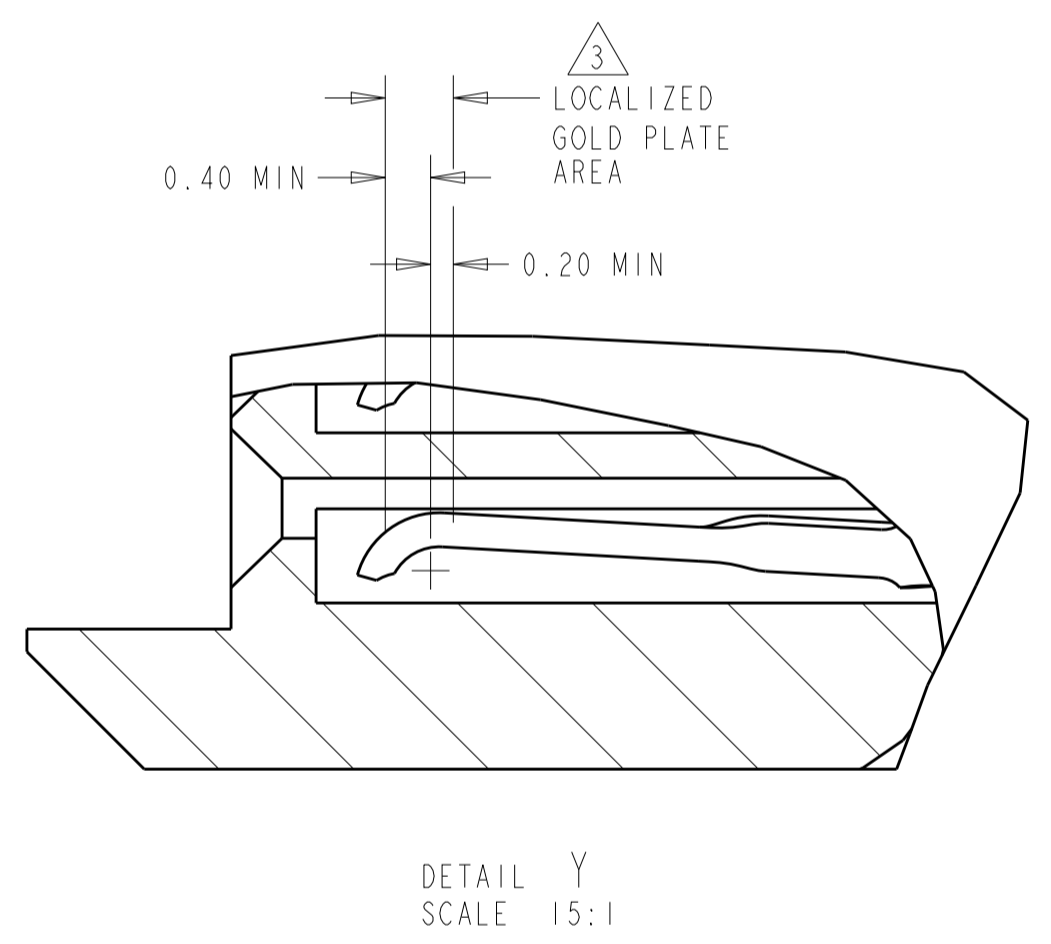
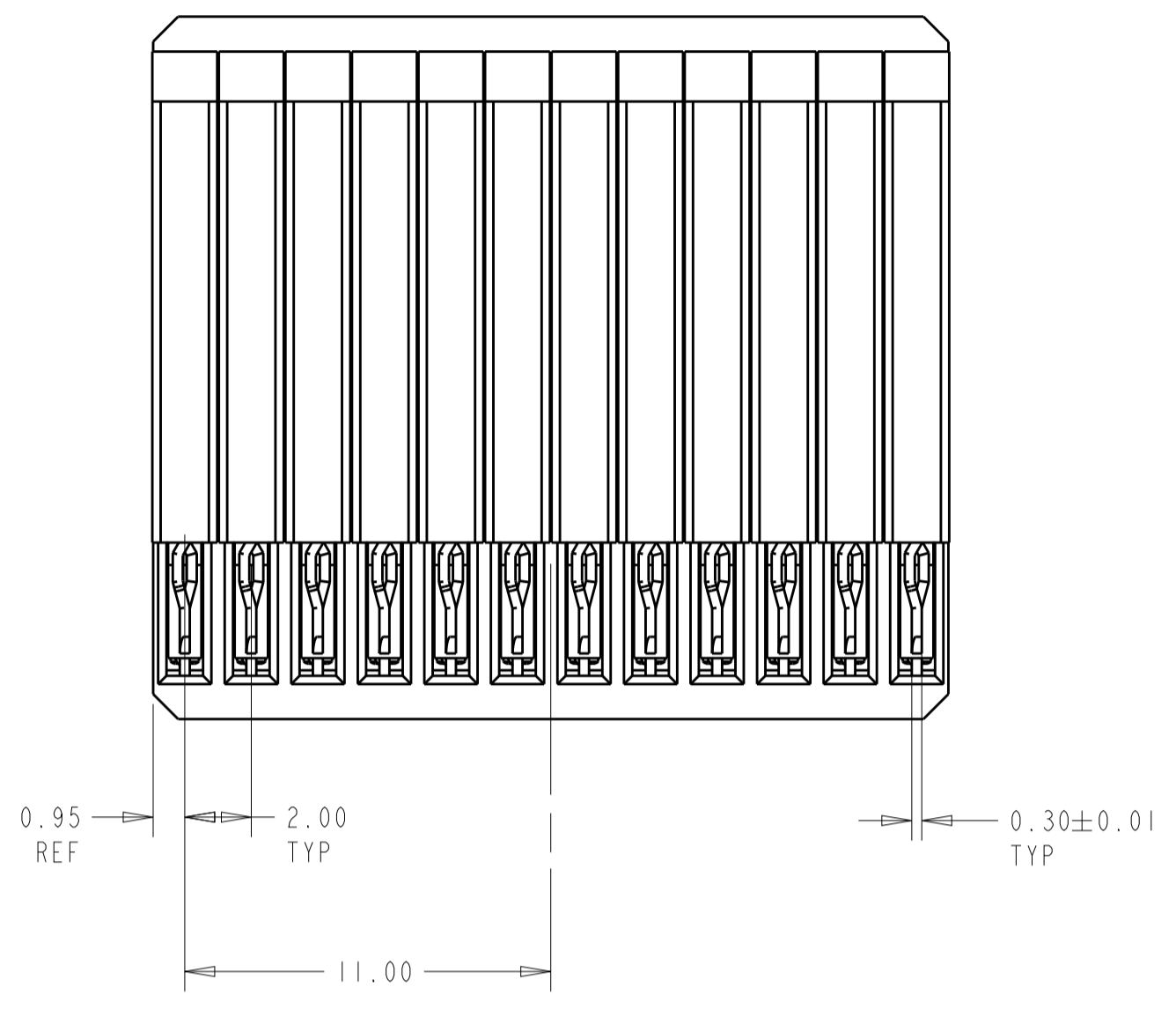
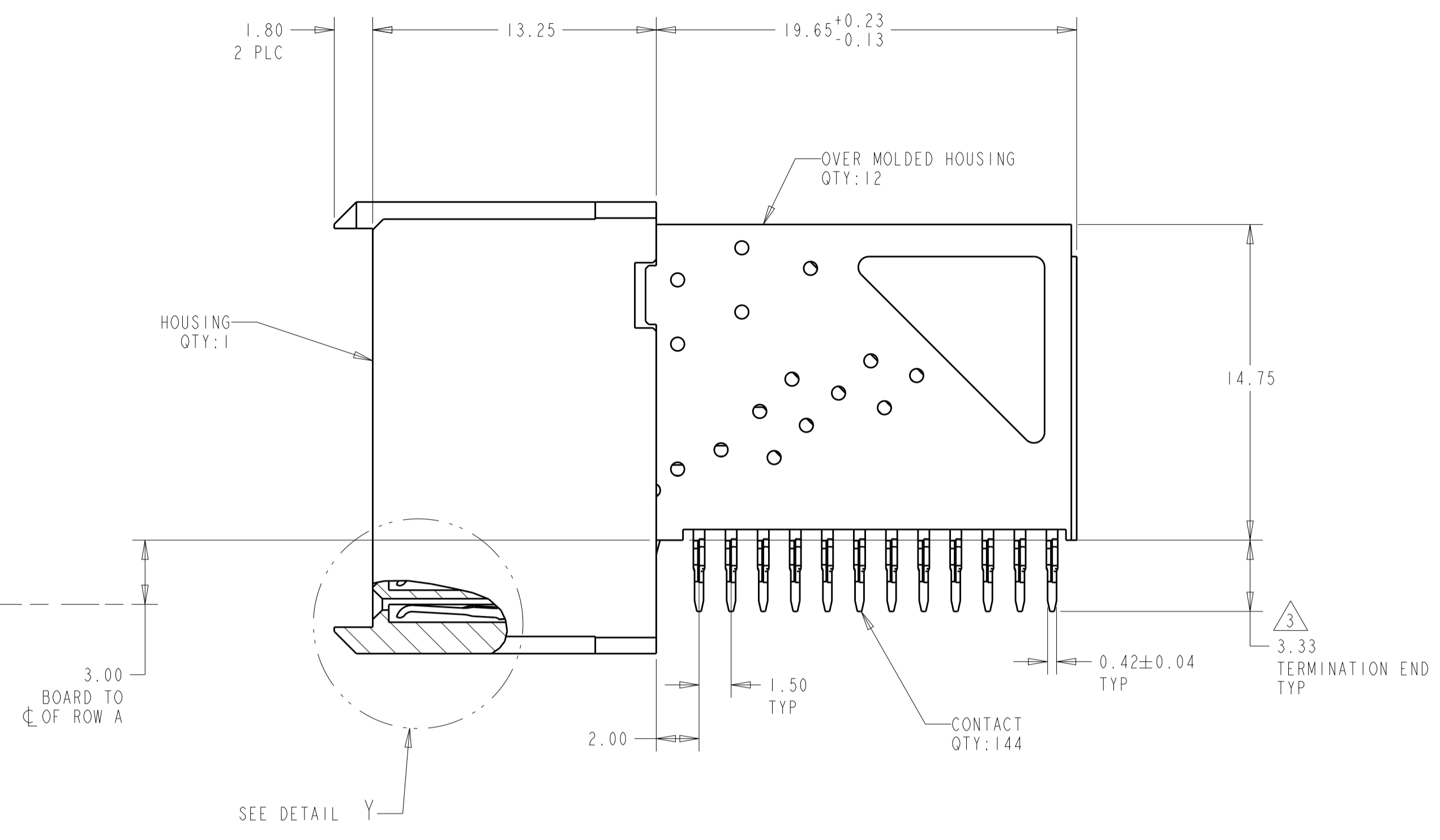
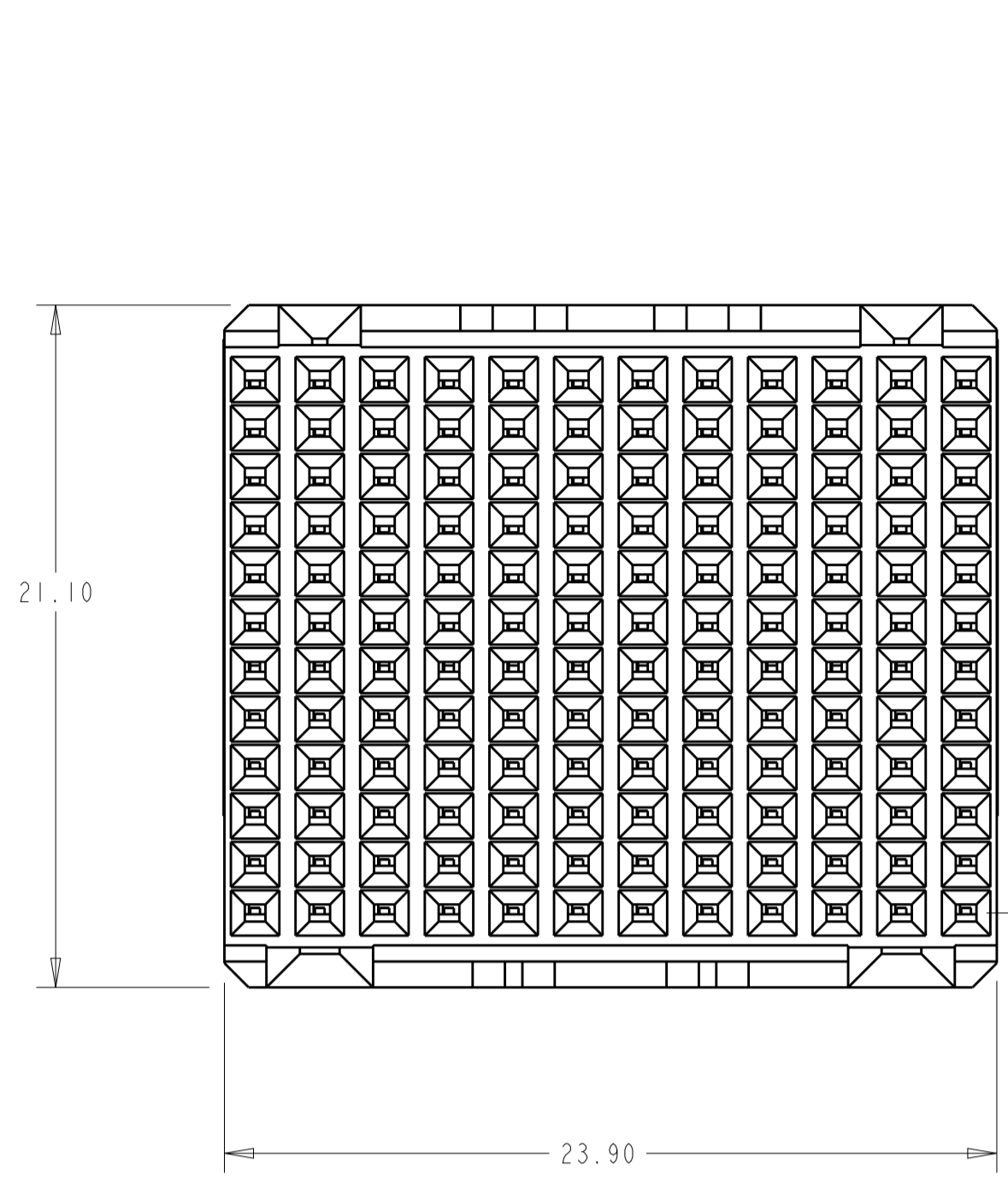


REVISIONS				
P.	LTM	DESCRIPTION	DATE	APPROV
B		REV PER ECO-13-017819	04JUL2014	SY FY



- 1 GLASS FILLED POLYESTER, BLACK
- 2 PHOSPHOR BRONZE
- 3 CONFORMS TO ALL TESTING ACCORDING TO IEC 61076-4-101 PERFORMANCE LEVEL 2.
- 4 DATUMS ESTABLISHED BY CUSTOMER.
- 5 DRILLED HOLE DIAMETER 0.700±0.025
COPPER THK 0.025-0.05
TIN THICKNESS 0.004-0.01
- 6 DIMENSION ESTABLISHED BY CUSTOMER.
- 7 GENERAL PLATING SPECIFICATION: UNDERPLATING (ENTIRE CONTACT): 1.27µm MIN NICKEL AND ACTION PIN: 0.5µm MIN TIN.
FOR PLATING OF MATING SURFACES SEE APPLICABLE SPECIFICATION REFERENCE FOR EACH DASH NUMBER.
- 8 DATE CODE AND PART NUMBER MARK IN APPROPRIATE OR OPPOSITE AREA

RECOMMENDED PRINTED CIRCUIT BOARD LAYOUT
RECOMMENDED PRINTED CIRCUIT BOARD THICKNESS 1.27
COMPONENT SIDE OF PRINTED CIRCUIT BOARD

5120637-1
PART NUMBER

THIS DRAWING IS A CONTROLLED DOCUMENT.		DWN: B. CARBO 01JUN2005	TE Connectivity
DIMENSIONS: mm		CHK: G. SKIPPER 01JUN2005	
TOLERANCES UNLESS OTHERWISE SPECIFIED:		APVD: G. SKIPPER 01JUN2005	NAME: RECEPTACLE ASSEMBLY, 144 POSITION, 12 ROW, Z-PACK HM
0 PLC ± 1 PLC ±0.13 2 PLC ± 3 PLC ± 4 PLC ± ANGLES ±		PRODUCT SPEC	
MATERIAL: HOUSING 1		APPLICATION SPEC	SIZE: A1 CAGE CODE: 00779 DRAWING NO: 5120637
CONTACTS: 2		WEIGHT	
CONTACTS: 3		CUSTOMER DRAWING	RESTRICTED TO: -
CONTACTS: 4		SCALE: 5:1	SHEET: 1 OF 1

Mouser Electronics

Authorized Distributor

Click to View Pricing, Inventory, Delivery & Lifecycle Information:

[TE Connectivity:](#)

[5120637-1](#)