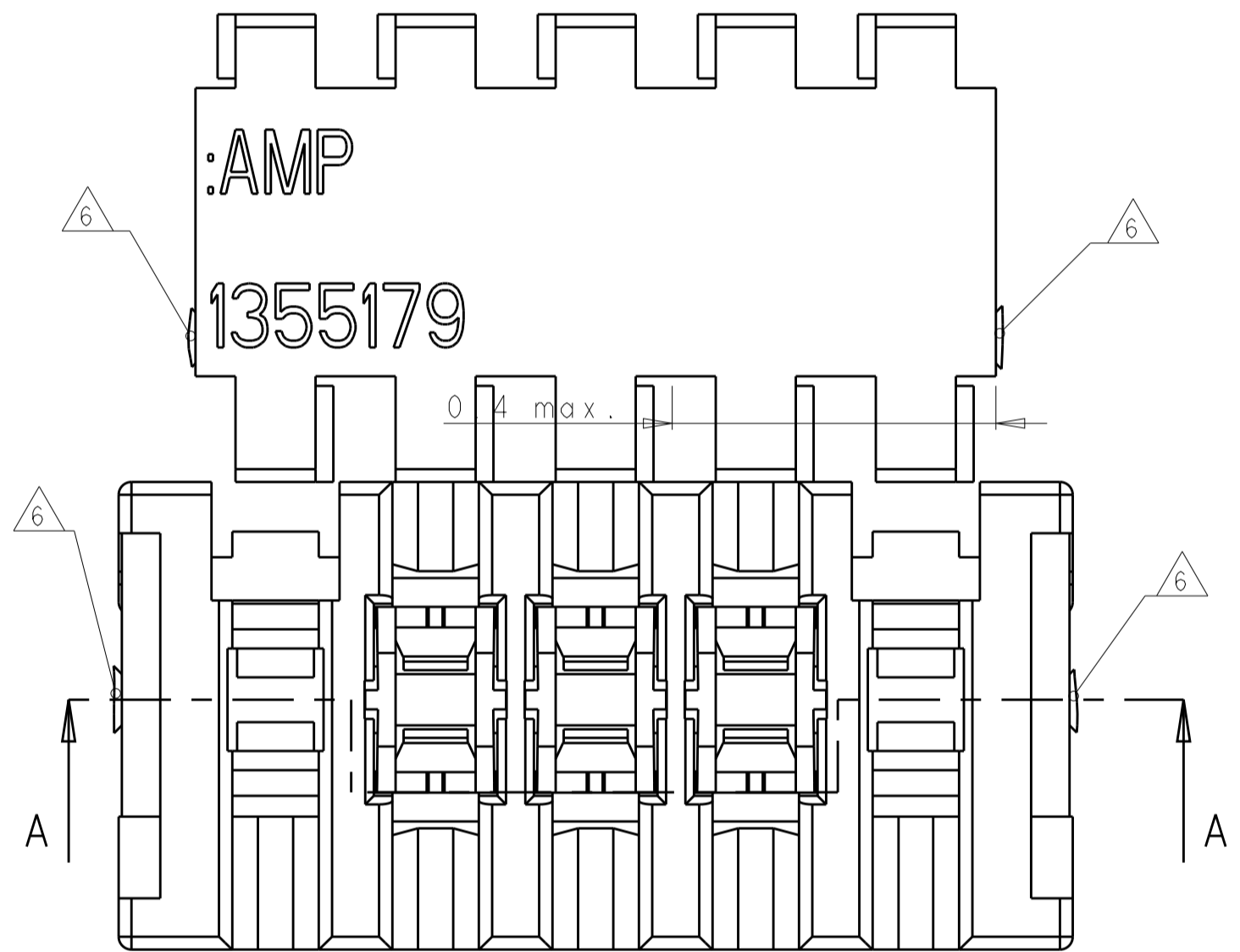
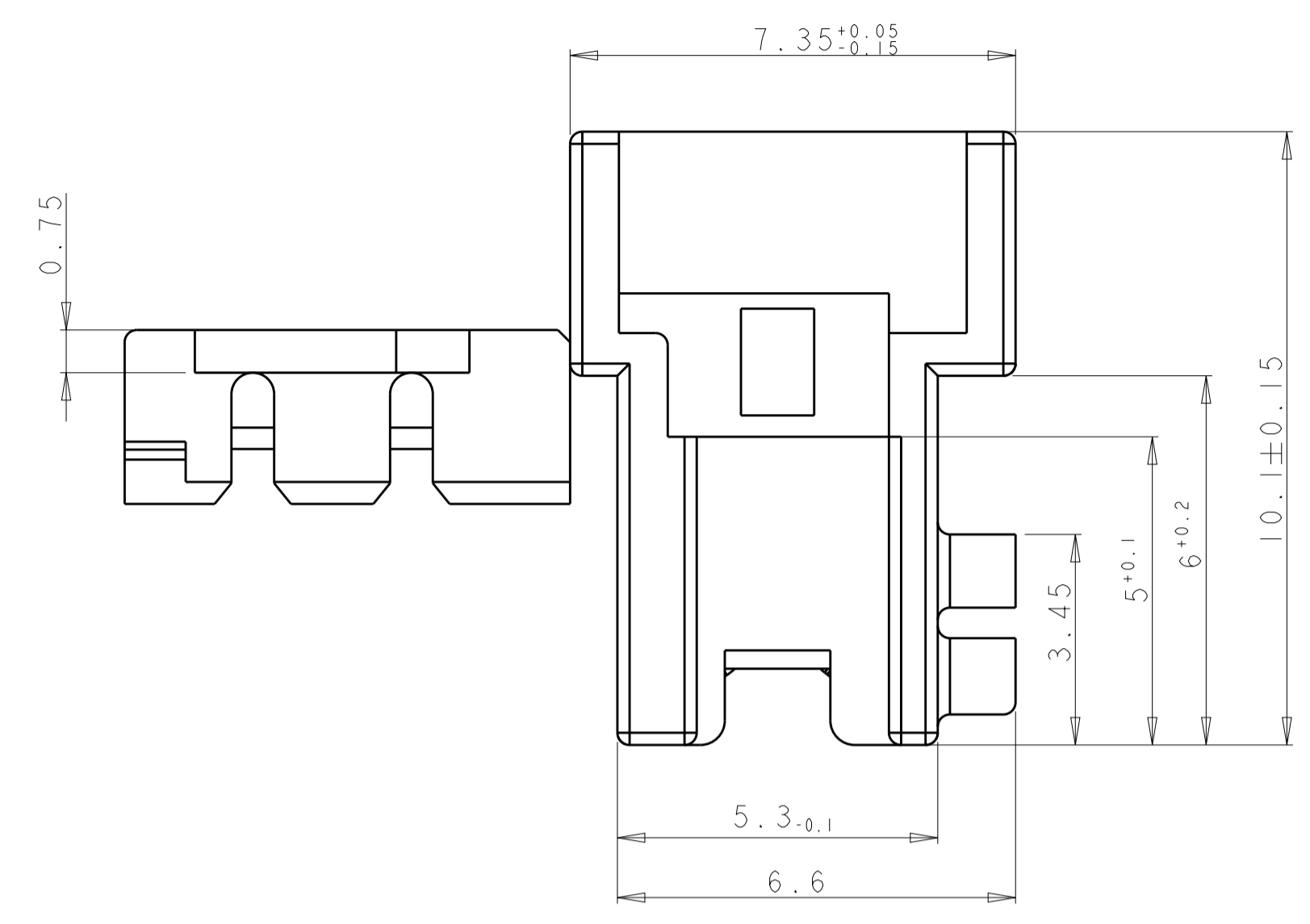
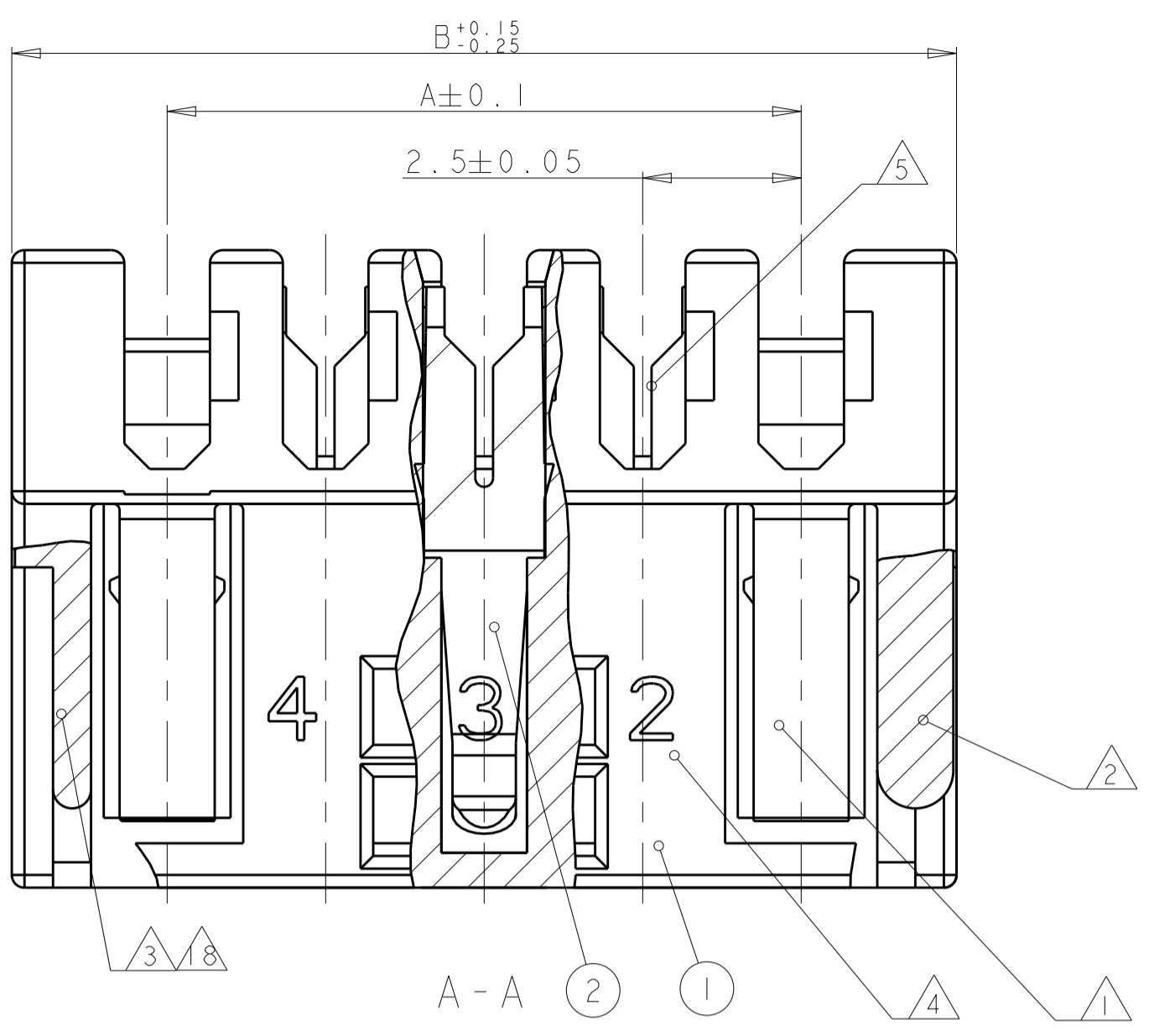


REVISIONS				
P.	LTM	DESCRIPTION	DATE	DWN APVD
C4		REVISED PER ECO009-027197	02FEB2010	KK HMR
C5		ECR-16-005727	20APR2016	KD RR
C6		ECR-16-017578	15DEC2016	KD RR



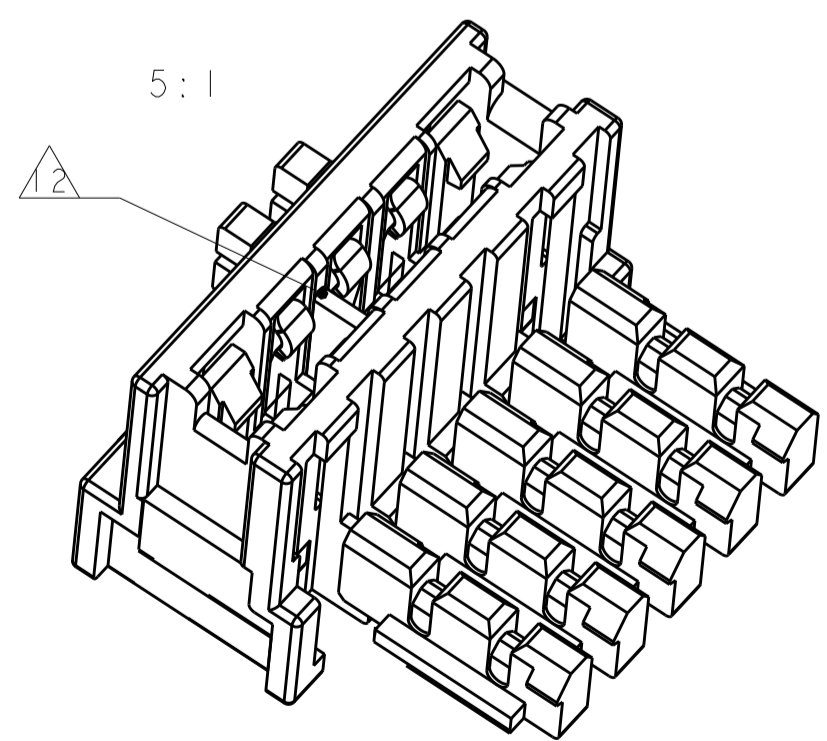
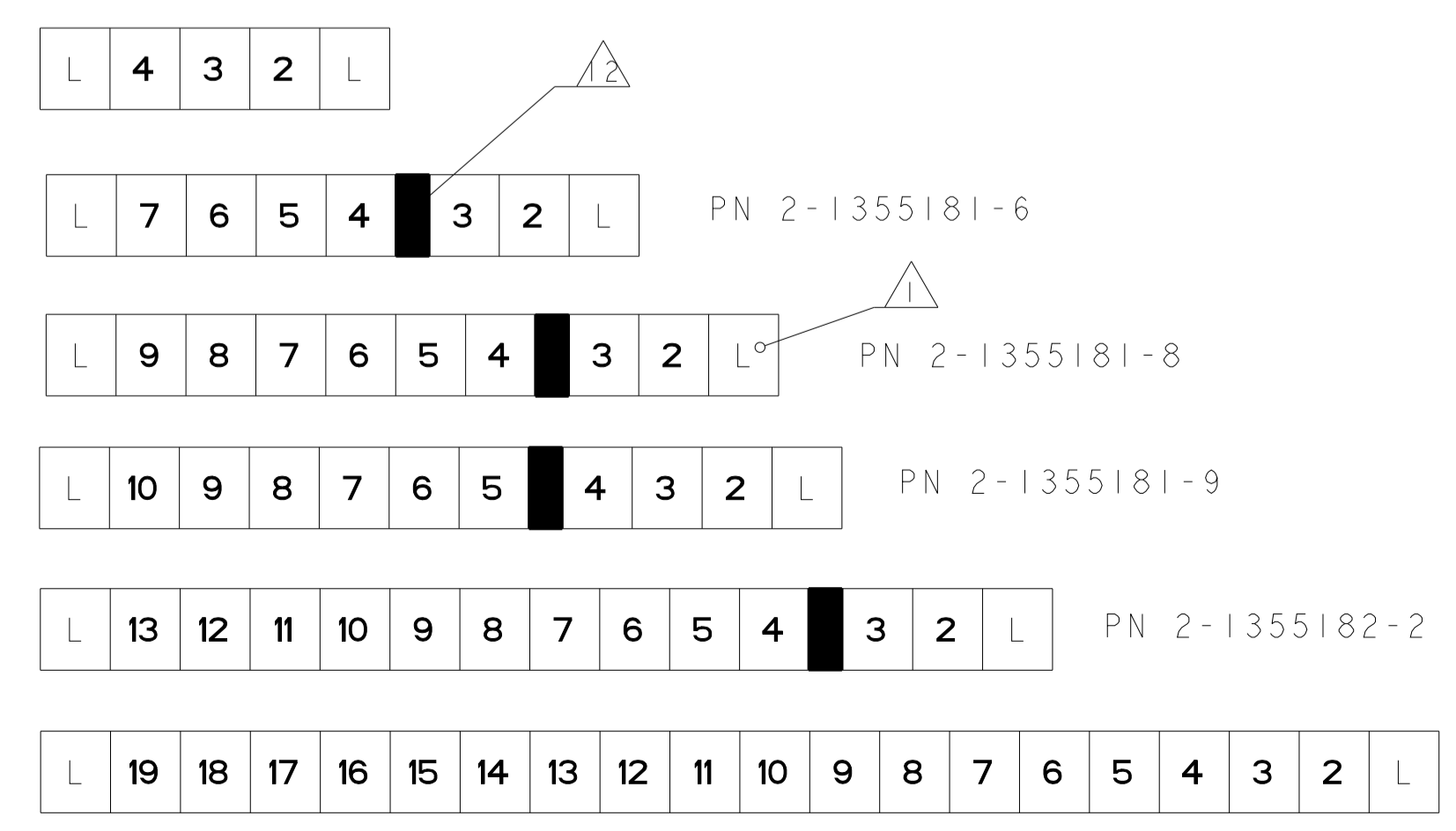
- 8 ONLY FOR 3-1355181-2, REMOVED THE POLARIZATION RIB ON LAST CAVITY
- 7 PRELIMINARY - NOT RELEASED FOR PRODUCTION
- 6 OBSOLETE PARTS: OBSOLETE CIS STREAMLINING PER D.RENAUD/D.SINISI
- 5 DIMENSION OF THE PADS ON BOTH SIDES OF THE SLOT (NOTE 13), MIRRORED
Leiterbahnbemassung beidseitig vom Schlitz (Note 13), spiegelbildlich
- 14 DIMENSION IN BRACKET ONLY USED WITH AMP DUOPLUG 2.5 mm FEMALE CONNECTOR.
Masse in Klammer nur geeignet fuer AMP DUOPLUG 2.5 mm Federleisten.
- 3 SLOT FOR ADDITIONAL KEYING RIB
Schlitz fuer zusaetzliche Kodierrippe
- 2 ADDITIONAL KEYING RIB BETWEEN CAVITY NO.
Zusaetzliche Kodierrippe zwischen Kammer Nr.
- 1 REDUCTION OF PAD WIDTH OF ALL PADS AS SHOWN IS POSSIBLE.
Verjuengung aller Leiterbahnen wie dargestellt moeglich.
- 0 INCLUSIVE COPPER CLADDING:
Inklusive Kupferkaschierung:
- 9 PCB PREFERABLY CHAMFERED.
Leiterplatte vorzugsweise angefast.
- 8 SLOT FOR KEYING RIB.
Schlitz fuer Kodierrippe.
- 7 SLOT FOR POLARIZATION RIB.
Schlitz fuer Polarisierungsrippe.
- 6 CUTTING AREA FROM PRODUCING PROCESS.
Schnittbereich durch Herstellungsprozess.
- 5 SLOT ACCEPT STRANDED WIRE 7x0.25mm=0.35mm².
SEE APPLICATION SPECIFICATION 114-18049.
Schlitz geeignet fuer Leitungen 7x0.25mm=0.35mm².
Siehe Verarbeitungsanweisung 114-18049.
- 4 CAVITY NO.
Kammer Nr.
- 3 POLARIZATION RIB
Polarisierungsrippe
- 2 KEYING RIB
Kodierrippe
- 1 LOCKING LATCH BEFORE FIRST AND AFTER LAST CAVITY. BY TWO POSITION CONNECTOR AT CAVITY NO. 2.
Rasthaken vor erster und nach letzter Kammer. Bei dem 2 poligen Stecker bei Kammer Nr. 2.

LOCKING AND KEYING PLAN
Rasthaken und Kodierschema

SPECIAL VERSION 2 POSN.
Sondervariante 2 pol.

PN 1-355181-2

Variante
3 pol. - 18 pol.



	POS.	DIM A	DIM B	KEYING	PN
	Polzahl	Mass A	Mass B	Kodierung	Bestell-Nr.
OBSOLETE	18	47.5	52.4	-	1-1355182-8
OBSOLETE	17	45	49.9	-	1-1355182-7
	16	42.5	47.4	-	1-1355182-6
OBSOLETE	15	40	44.9	-	1-1355182-5
	14	37.5	42.4	-	1-1355182-4
OBSOLETE	13	35	39.9	-	1-1355182-3
	12	32.5	37.4	3+4	2-1355182-2
				-	1-1355182-2
OBSOLETE	11	30	34.9	-	1-1355182-1
	10	27.5	32.4	-	1-1355181-0
OBSOLETE	9	25	29.9	4+5	2-1355181-9
				-	1-1355181-9
	8	22.5	27.4	3+4	2-1355181-8
				-	1-1355181-8
	7	20	24.9	-	1-1355181-7
	6	17.5	22.4	3+4	2-1355181-6
				-	1-1355181-6
	5	15	19.9	-	1-1355181-5
	4	12.5	17.4	-	1-1355181-4
	3	10	14.9	-	1-1355181-3
	2	5	9.9	-	3-1355181-2
				-	1-1355181-2

SEE TABLE Siehe Tabelle	2	CONTACT/Kontakt	CuSn	TINNED/vorverzinnt
PN Bestell-Nr.	1	HOUSING/Federleistegehäuse	PBT	NATUR
				FINISH/Oberflaeche COLOR/Farbe

DIMENSIONS: mm		TOLERANCES UNLESS OTHERWISE SPECIFIED:	
0 PLC	±0.2	1 PLC	±0.2
2 PLC	±0.2	3 PLC	±0.2
4 PLC	±0.2	ANGLES	±0.2

THIS DRAWING IS A CONTROLLED DOCUMENT.	DWN Reber	16MRZ99
	CHK Schnaubelt	06JUL99
	APVD	
PRODUCT SPEC	NAME AMP DUOPLUG 2.5 TM WITH PCB LOCKING DEVICE DGB 11	
APPLICATION SPEC	SIZE 114-18049-1	
WEIGHT	RESTRICTED TO	
CUSTOMER DRAWING	SCALE 10:1	SHEET 1 OF 2

Mouser Electronics

Authorized Distributor

Click to View Pricing, Inventory, Delivery & Lifecycle Information:

[TE Connectivity:](#)

[1-1355181-4](#)