

100Base-TX Single Port Surface Mount Magnetics with PoE* Option and 1:1 Turns Ratios



*Power over Ethernet



- RoHS peak reflow temperature rating: 245°C
- Meets IEEE 802.3 specification
- Compact footprint for use in the most space-restrictive applications

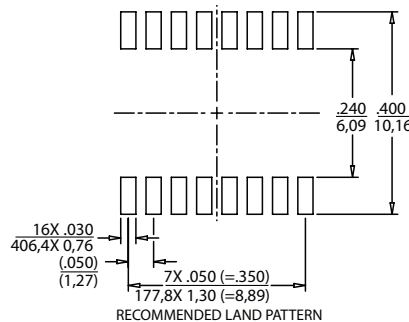
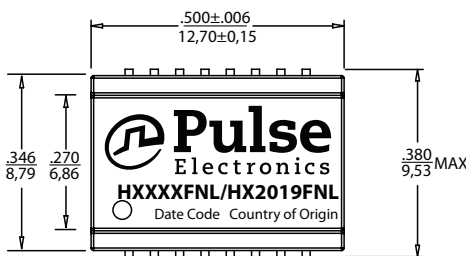
Electrical Specifications @ 25°C - Operating Temperature 0°C to 70°C

Part Number ²	Turns Ratio		Insertion Loss 100 kHz-100 MHz (dB MAX)	Return Loss (dB TYP)			Differential to Common Mode Rejection (dB TYP)			Crosstalk (dB TYP)			Hipot (Vrms MIN)
	TX	RX		30 MHz	60 MHz	80 MHz	30 MHz	50 MHz	100 MHz	30 MHz	60 MHz	100 MHz	
H1102FNL ^{3a, 4}	1:1	1:1	-1.1	-20	-14	-11.5	-42	-37	-33	-45	-40	-35	1500
HX1188FNL ^{1, 3a, 4}	1:1	1:1	-1.0	-20	-14	-12	-42	-37	-32	-45	-40	-35	1500
HX1198FNL ^{1, 3a, 4}	1:1	1:1	-1.0	-20	-14	-12	-42	-37	-32	-45	-40	-35	1500
H1197FNL ^{3a, 4}	1:1	1:1	-1.2	-16	-14	-12	-42	-37	-33	-45	-40	-35	1500
H1260FNL ^{3a, 4}	1:1	1:1	-1.1	-16	-14	-12	-43	-37	-33	-35	-40	-35	1500
HX1260FNL ^{1, 3a, 4}	1:1	1:1	-1.1	-16	-14	-12	-43	-37	-33	-45	-40	-35	1500
H2019FNL ^{3a, 5}	1:1	1:1	-1.2	-16	-14	-12	-43	-37	-33	-45	-40	-35	1500
HX2019FNL ^{1, 3a, 5}	1:1	1:1	-1.4	-16	-14.4	-12	-43	-37	-33	-45	-40	-35	1500

1. Operating temperature -40°C to +85°C
2. For Tape & Reel packaging, add a "T" suffix at the end of the part number when ordering, e.g. H1102FNLT.
3. MSL = Moisture Sensitivity Level a=1 b=2 c=3 d=4
4. Suitable for Aut-MDIX applications
5. PoE (IEEE 802.3af/ANSI X3.263 compliant)

Mechanical

H1102FNL, HX1188FNL, HX1198NL, H1197FNL, H1260FNL, HX1260FNL, H2019FNL, HX2019FNL



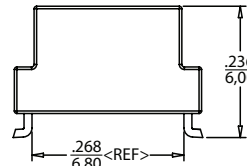
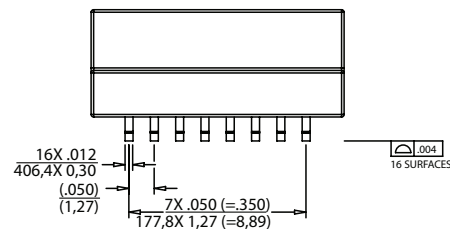
Dimensions: Inches
mm

Unless otherwise specified, all tolerances are in inches. Tolerances are:

DECIMALS
.XX ±0.1
.XXX ±.005

ANGLES
±1°

Weight0.9 grams
Tube40/tube
Tape & Reel600/reel



USA 858 674 8100

Germany 49 7032 7806 0

Singapore 65 6287 8998

Shanghai 86 21 62787060

China 86 755 33966678

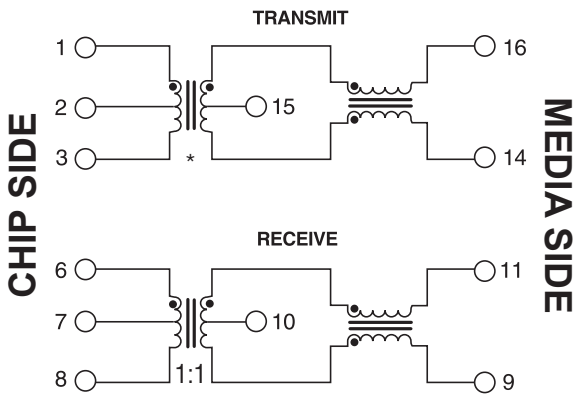
Taiwan 886 3 4356768

100Base-TX Single Port Surface Mount Magnetics with PoE* Option and 1:1 Turns Ratios

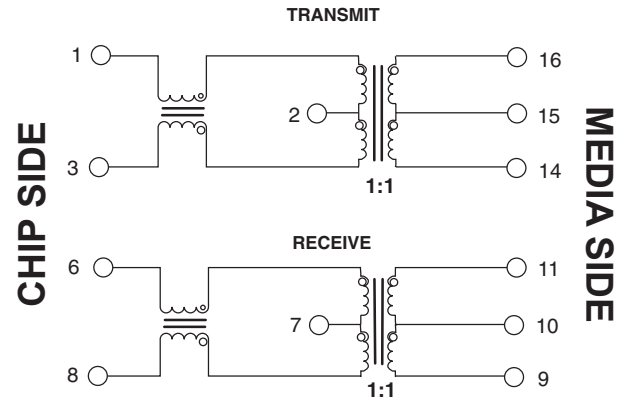
*Power over Ethernet

Schematics

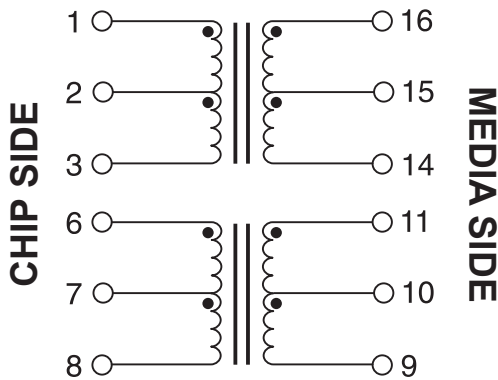
H1102FNL, HX1188FNL H1260FNL, HX1260FNL



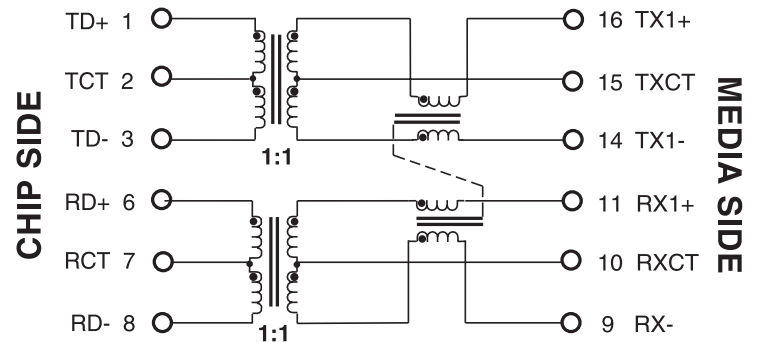
HX1198FNL



H1197FNL



H2019FNL, HX2019FNL

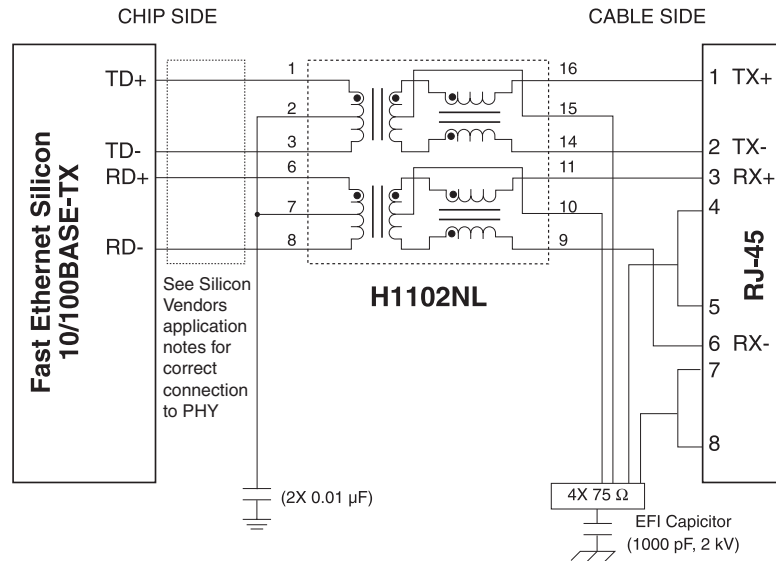


100Base-TX Single Port Surface Mount Magnetics with PoE* Option and 1:1 Turns Ratios

*Power over Ethernet

Typical Application Circuit

H1102FNL



For More Information

Pulse Worldwide Headquarters
12220 World Trade Drive
San Diego, CA
92128
U.S.A.

Tel: 858 674 8100

Pulse Europe
Einsteinstrasse 1
D-71083 Herrenberg
Germany

Tel: 49 7032 7806

Pulse China Headquarters
B402, Shenzhen Academy of
Aerospace Technology Bldg.
10th Kejian Road
High-Tech Zone
Nanshan District
Shenzhen, PR China
518057

Pulse North China
Room 2704/2705
Super Ocean Finance
Ctr.
2067 Yan An Road
West
Shanghai 200336
China

Pulse South Asia
135 Joo Seng Road
#03-02
PM Industrial Bldg.
Singapore 368363

Tel: 65 6287 8998
Fax: 65 6287 8998

Pulse North Asia
3F, No. 198
Zhongyuan Road
Zhongli City
Taoyuan County 320
Taiwan R. O. C.
Tel: 886 3 4356768
Fax: 886 3 4356823
(Pulse)

Performance warranty of products offered on this data sheet is limited to the parameters specified. Data is subject to change without notice. Other brand and product names mentioned herein may be trademarks or registered trademarks of their respective owners. © Copyright, 2013. Pulse Electronics, Inc. All rights reserved.

Mouser Electronics

Authorized Distributor

Click to View Pricing, Inventory, Delivery & Lifecycle Information:

Pulse:

[HX2019FNL](#) [HX1188FNL](#) [HX1198FNL](#) [HX1260FNL](#) [H1260FNL](#) [H1197FNL](#) [H2019FNL](#) [H1102FNL](#)