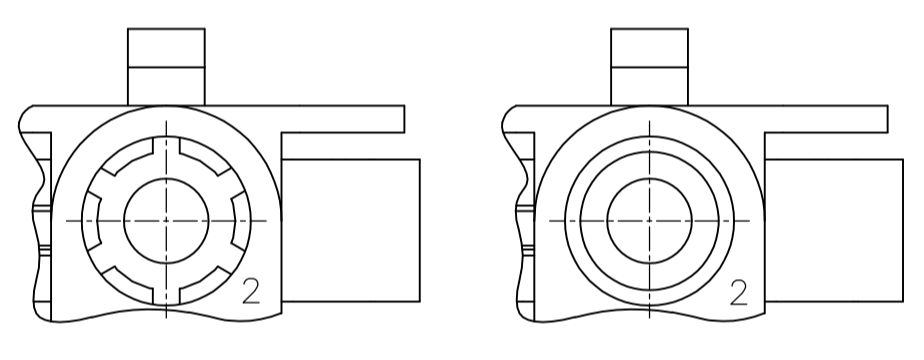
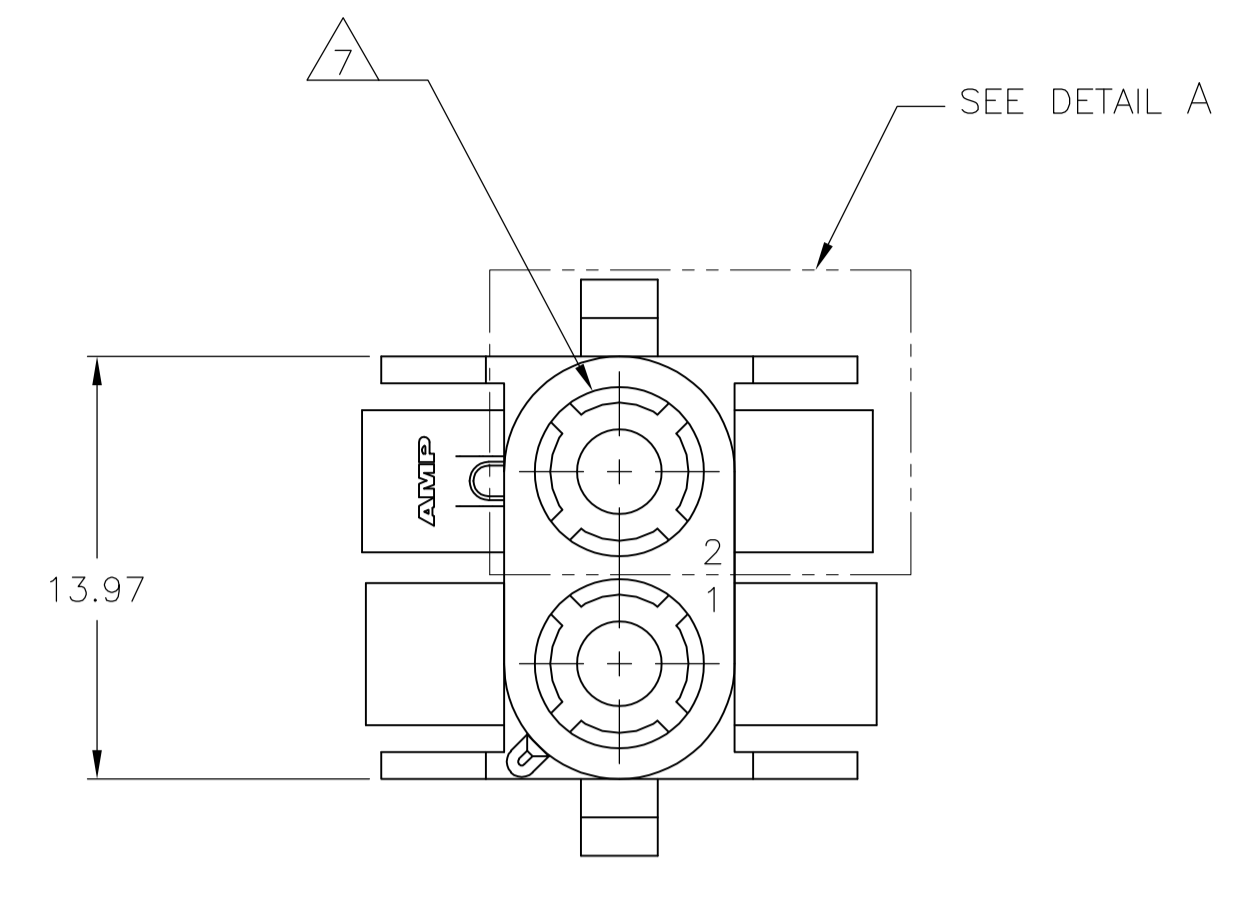
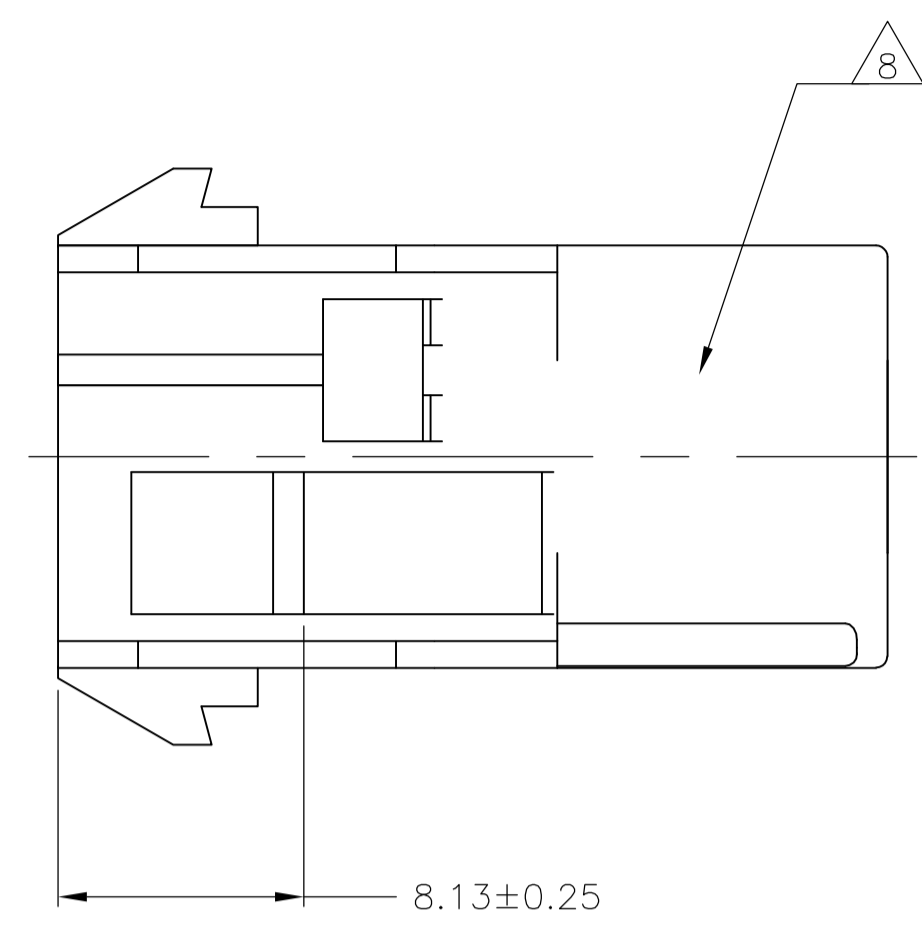
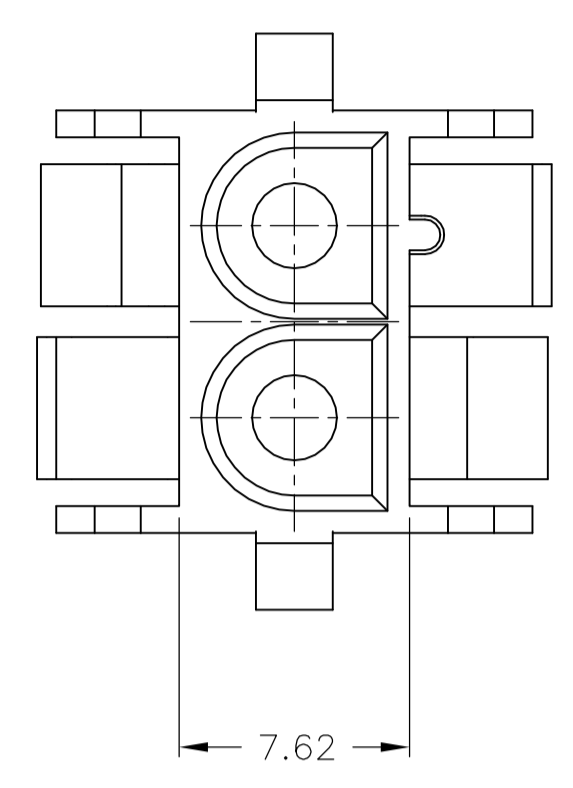
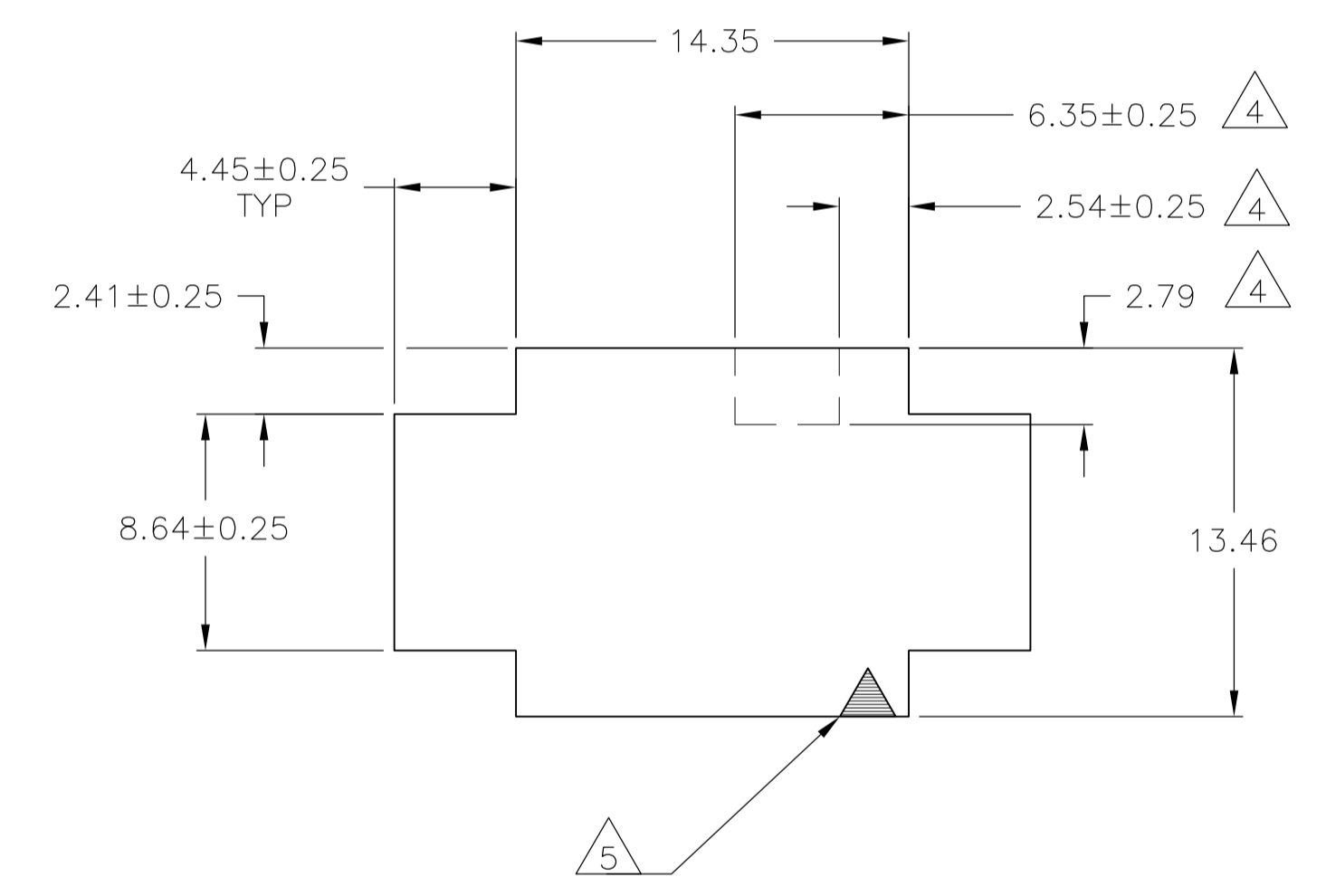
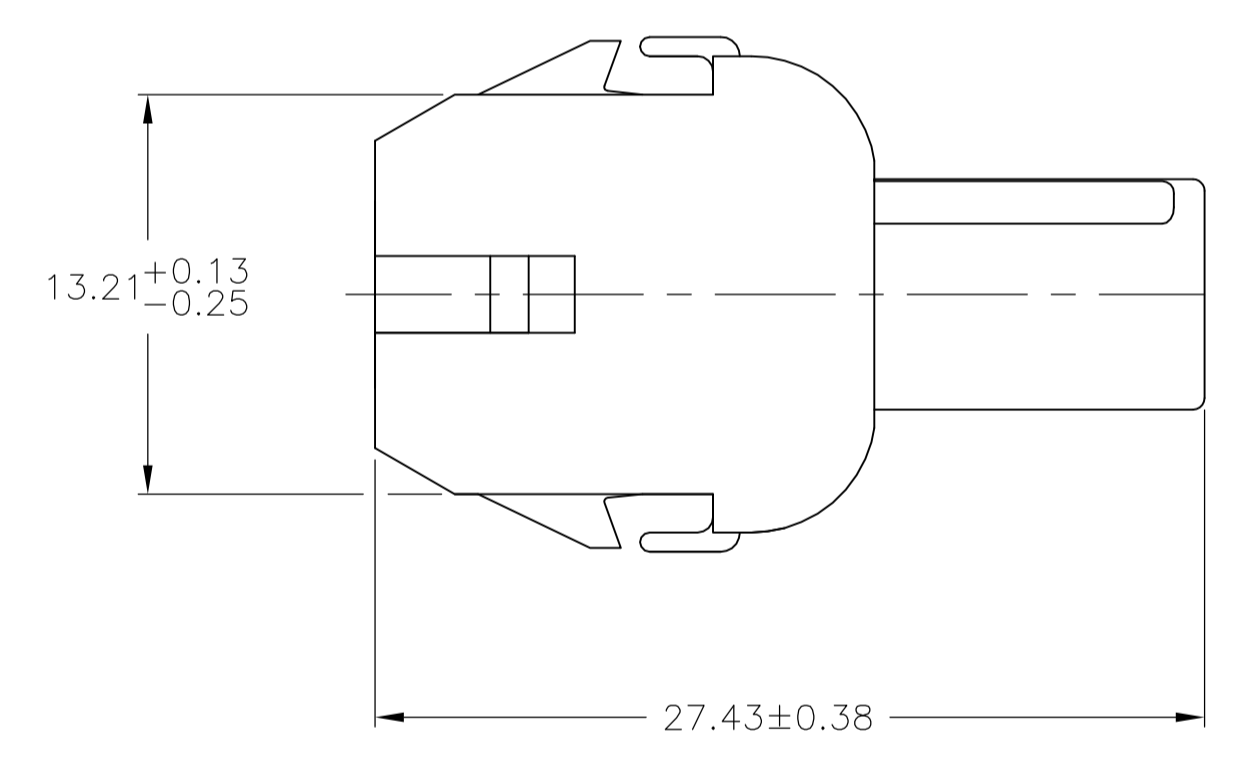


REVISIONS				
P	LTR	DESCRIPTION	DATE	OWN
A4		REVISED PER ECO-17-011927	22AUG2017	RS KR

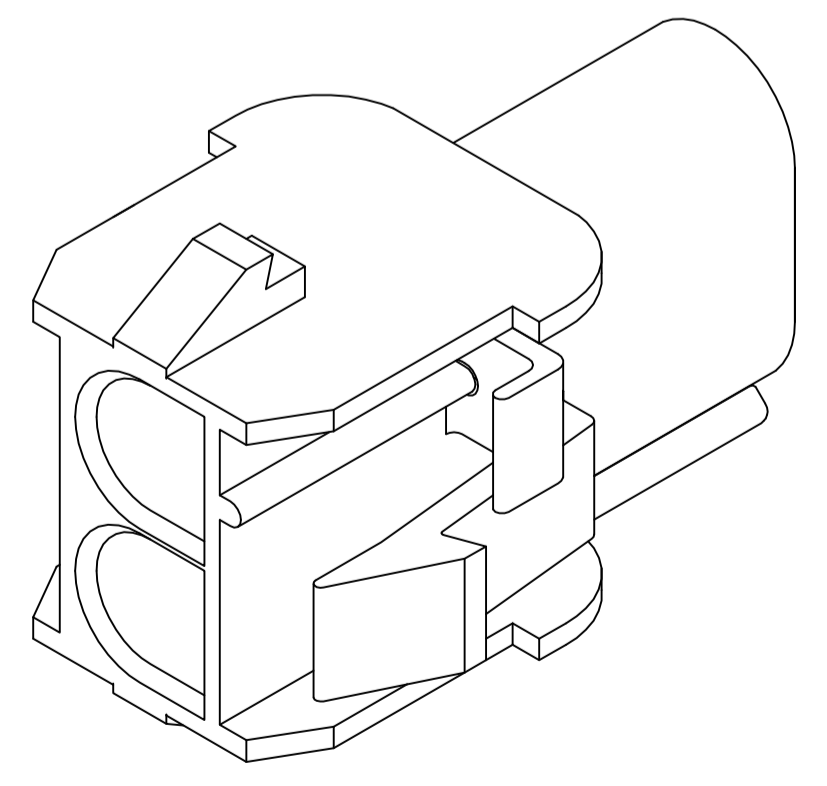
- 1 MATES WITH APPROPRIATE UNIVERSAL MATE-N-LOK™ PLUG.
- 2 RECOMMENDED PANEL THICKNESS 0.76 - 2.29.
- 3 PANEL MUST BE PUNCHED SO THAT THE HOUSING ENTERS THE PANEL IN THE SAME DIRECTION AS THE PUNCH.
- 4 OPTIONAL FOR KEYING HOUSING IN PANEL.
- 5 CIRCUIT NUMBER 1 LOCATION.
- 6 DIMENSIONS SHOWN REPRESENT PRODUCT IN DRY, AS MOLDED CONDITION ADDITIONAL 2% GROWTH DUE TO SUBSEQUENT MOISTURE ABSORPTION MAY OCCUR AND SHOULD BE ACCOUNTED FOR.
- 7 FOUR RIBS EQUALLY SPACED, NO SPECIFIC ORIENTATION. NO RIBS OR SIX RIBS EQUALLY SPACED, NO SPECIFIC ORIENTATION, OPTIONAL.
- 8 UNDERWRITERS RECOGNIZED COMPONENT LOGO AND CSA CERTIFICATION LOGO TO BE LOCATED ONCE EACH ON SIDE OF HOUSING.
- 9 MAX. OPERATING TEMPERATURE 125°C.
- 10 SPECIAL PACKAGING.
- 11 PHOSPHOR BRONZE CONTACTS SHOULD ALWAYS BE USED WITH THIS HOUSING.



DETAIL A
OPTIONAL CONSTRUCTIONS



RECOMMENDED PANEL CUT-OUT



3 DIMENSIONAL MODEL
NTS

MM	IN	MM	IN
4.45	.175	27.43	1.080
2.79	.110	14.35	.565
2.54	.100	13.97	.550
2.41	.095	13.46	.530
2.29	.090	13.21	.520
0.76	.030	8.64	.340
0.38	.015	8.13	.320
0.25	.010	7.62	.300
0.13	.005	6.35	.250
MM	IN	MM	IN

CONVERSION TABLE

BLACK	8-794815-1
BLACK	794815-1
COLOR	PART NO.

THIS DRAWING IS A CONTROLLED DOCUMENT.

DIMENSIONS: mm [INCHES]	TOLERANCES UNLESS OTHERWISE SPECIFIED: 0. PLC ± - 1. PLC ± - 2. PLC ± 0.13 3. PLC ± - 4. PLC ± - ANGLES ± 1°	DIN K. WHITAKER 15MAY01 CHK S. RIDGILL 15MAY01 APVD S. RIDGILL 15MAY01	NAME CAP, 2 CIRCUIT, UNIVERSAL MATE-N-LOK™ TM
MATERIAL NYLON, UL 94V-2, HIGH TEMP.	FINISH -	SIZE A1	SCALE 4:1
CUSTOMER DRAWING		WEIGHT 0	SHEET 1 OF 1

STE TE Connectivity