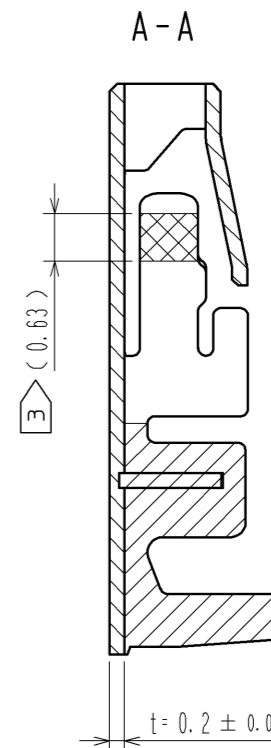
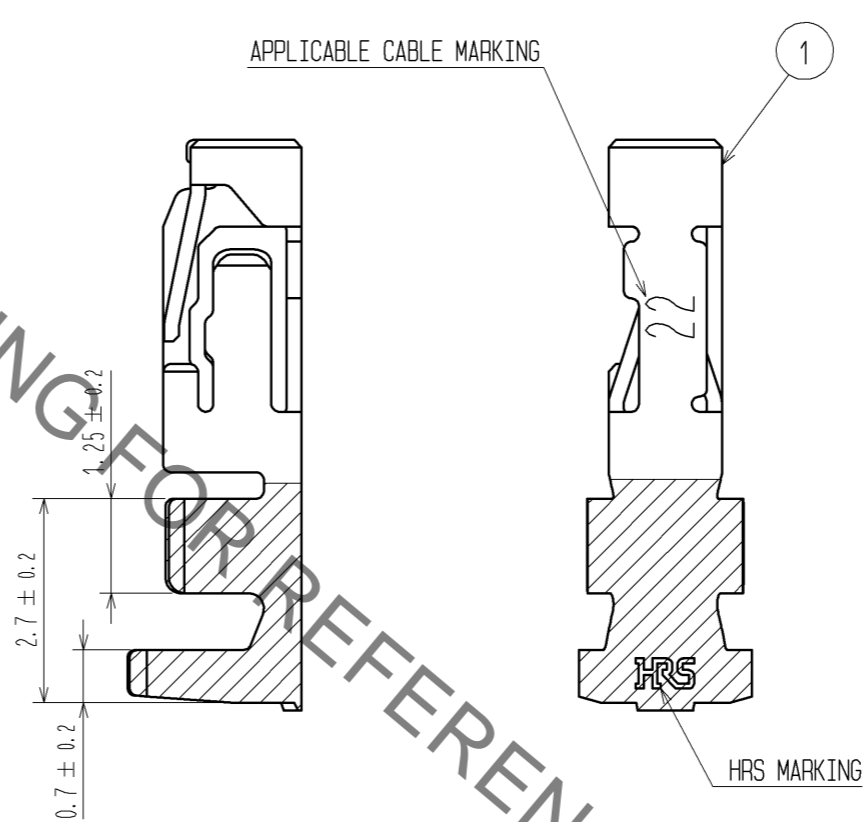
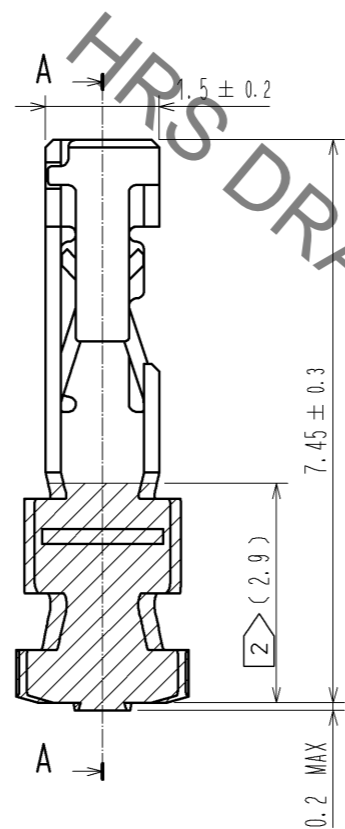
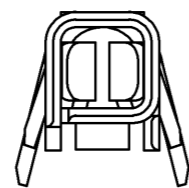
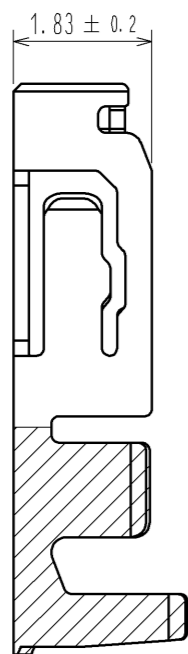


Sep.1.2020 Copyright 2020 HIROSE ELECTRIC CO., LTD. All Rights Reserved.
 In case of consideration for using Automotive equipment / device which demand high reliability, kindly contact our sales window correspondents.

- NOTE 1. 1PACK:100 CONTACTS
 2 TIN PLATING AREA.
 3 GOLD PLATING AREA.
 4. THE DIMENSIONS IN PARENTHESIS ARE FOR REFERENCE.



NO.	MATERIAL	FINISH . REMARKS	NO.	MATERIAL	FINISH . REMARKS
1	PHOSPHOR BRONZE				CONTACT AREA : GOLD PLATING 0.2μm MIN BARREL AREA : TIN PLATING 1μm MIN OTHERS : NICKEL PLATING 0.5μm MIN

UNITS	SCALE	COUNT	DESCRIPTION OF REVISIONS	DESIGNED	CHECKED	DATE
mm	10:1	△				
HIROSE ELECTRIC CO., LTD.		APPROVED : KI. AKIYAMA	12.07.21	DRAWING NO. EDC3-345106-00		
		CHECED : MN. KENJO	12.07.21	PART NO. DF62-22SCA		
		DESIGNED : TO. HORII	12.07.20	CODE NO. CL544-0526-2-00		
		DRAWN : TO. HORII	12.07.20	<div style="text-align: right;"> 1/1 </div>		