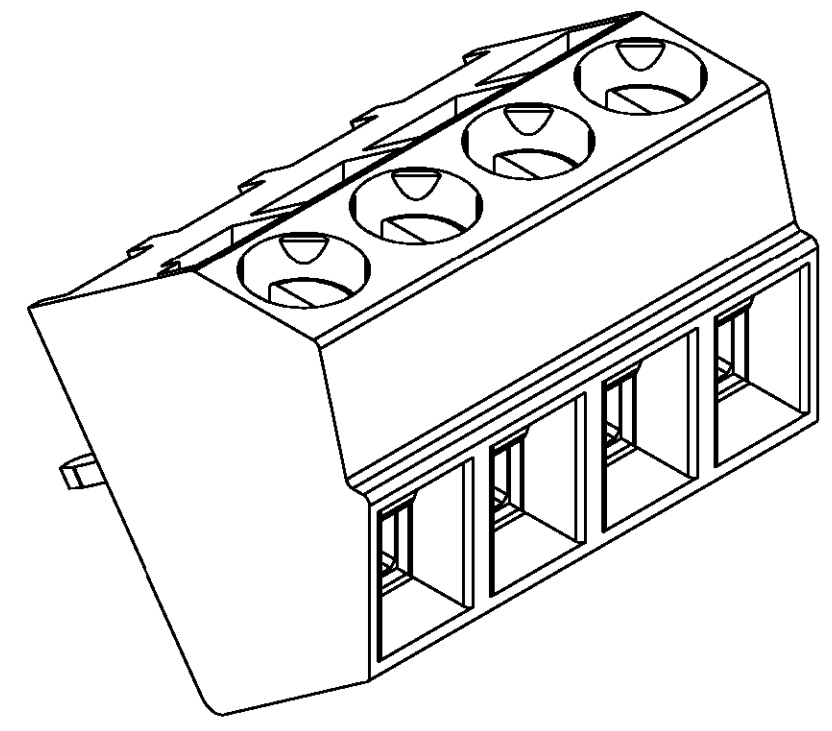
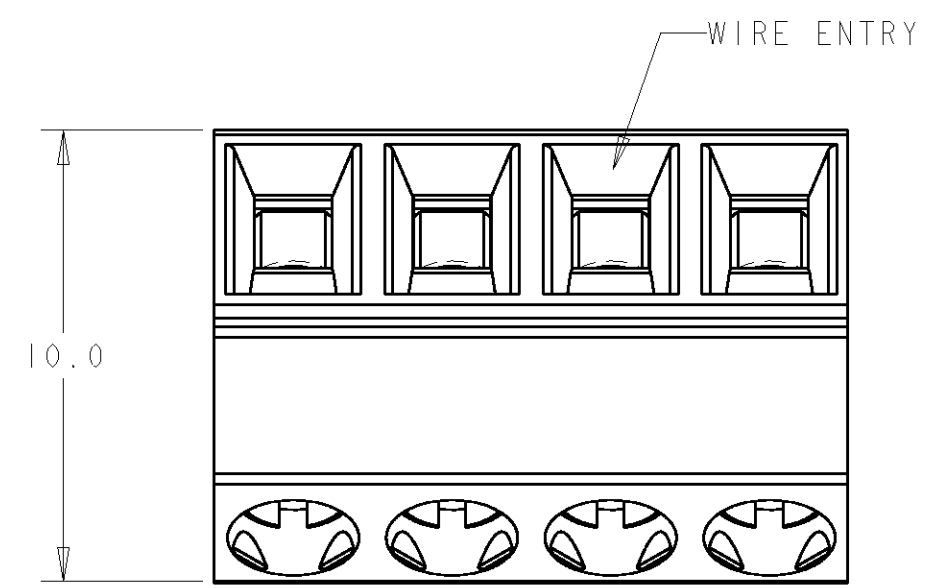


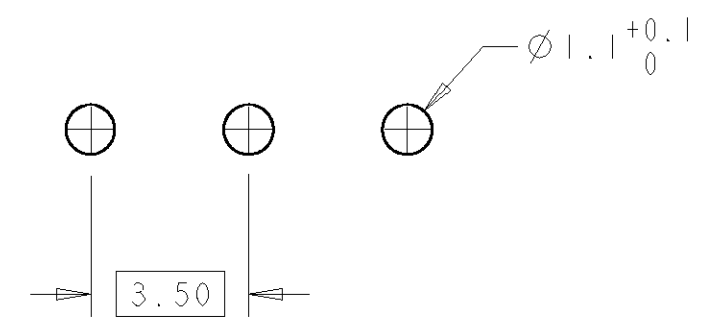
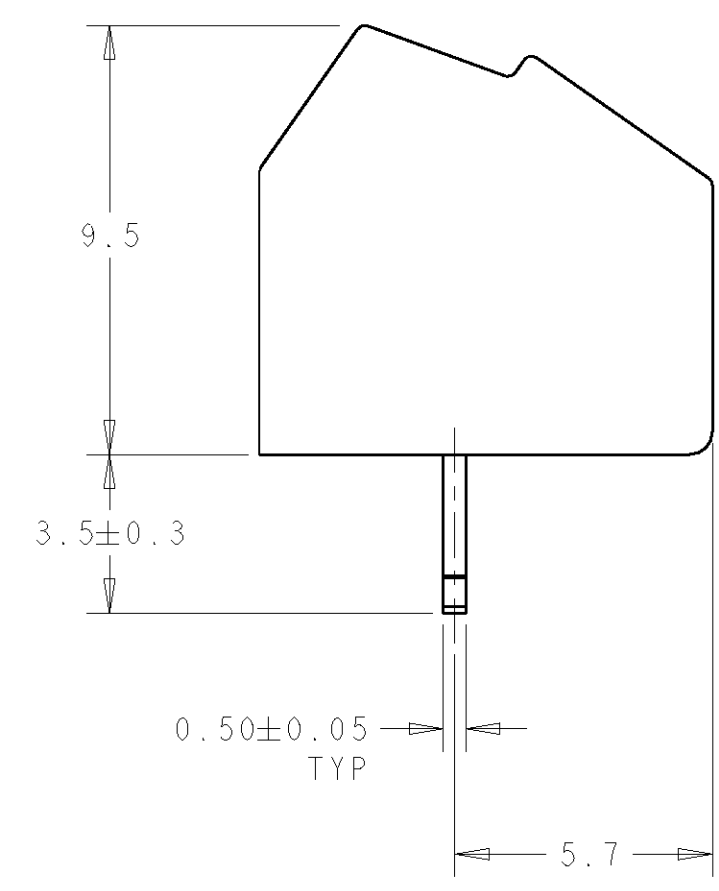
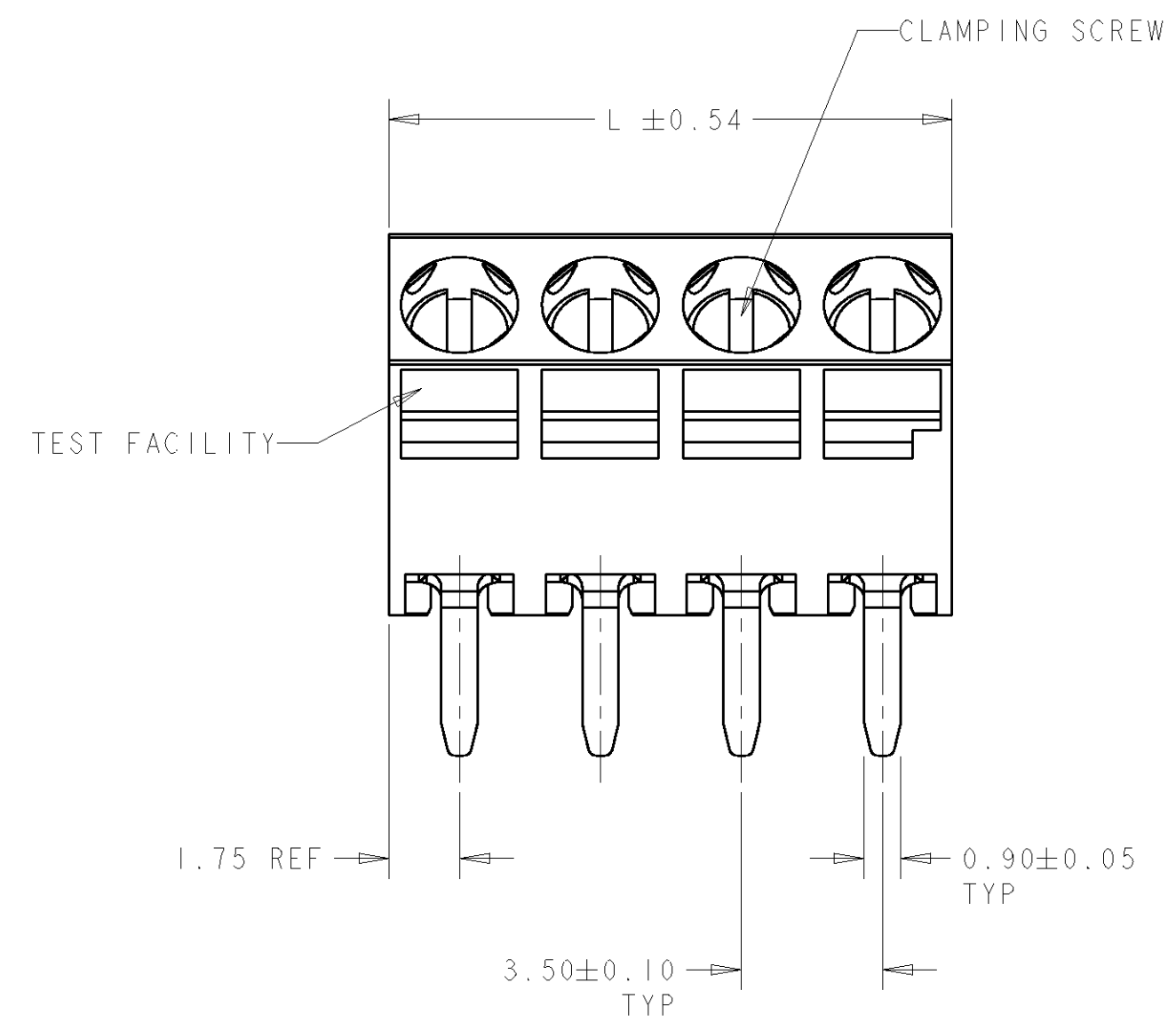
THIS DRAWING IS UNPUBLISHED. RELEASED FOR PUBLICATION 20  
 © COPYRIGHT 20 BY TYCO ELECTRONICS CORPORATION. ALL RIGHTS RESERVED.

LOC	DIST	REVISIONS					
FT	0	P	LTR	DESCRIPTION	DATE	DWN	APVD
		O		RELEASED	21APR2003	SW	CR
		A		REVISED EC 0G3B-0652-04	13AUG2004	SW	CR



1. MATERIALS AND FINISH:  
 HOUSING: PA 6-6, UL 94 VO-RATED, COLOR: GREEN.  
 TERMINAL: COPPER ALLOY, TIN PLATED.  
 CLAMP: COPPER ALLOY, NICKEL PLATED.  
 CLAMPING SCREW: COPPER ALLOY, NICKEL PLATED.
2. WIRE SIZE RANGE: 16-30 AWG.
3. CURRENT RATING: 12A, 300V  
 OPERATING TEMPERATURE: -40°C TO +110°C
4. SUITABLE FOR 2.4mm MAX PC BOARD THICKNESS.

1546556-4 AS SHOWN



RECOMMENDED PC BOARD LAYOUT

63.00	18	1-1546556-8
59.50	17	1-1546556-7
56.00	16	1-1546556-6
52.50	15	1-1546556-5
49.00	14	1-1546556-4
45.50	13	1-1546556-3
42.00	12	1-1546556-2
38.50	11	1-1546556-1
35.00	10	1-1546556-0
31.50	9	1546556-9
28.00	8	1546556-8
24.50	7	1546556-7
21.00	6	1546556-6
17.50	5	1546556-5
14.00	4	1546556-4
10.50	3	1546556-3
7.00	2	1546556-2
L	NO OF POSN	PART NUMBER

THIS DRAWING IS A CONTROLLED DOCUMENT FOR TYCO ELECTRONICS CORPORATION. IT IS SUBJECT TO CHANGE AND THE CONTROLLING ENGINEERING ORGANIZATION SHOULD BE CONTACTED FOR THE LATEST REVISION.		DWN S. WELDON 21APR2003	Tyco Electronics Harrisburg, PA 17105-3608	
DIMENSIONS: mm		CHK C. RICHARD 21APR2003	NAME TERMINAL BLOCK, ANGLED ENTRY, 55 DEGREE, STACKABLE, 3.5mm PITCH	
TOLERANCES UNLESS OTHERWISE SPECIFIED: 0 PLC ± 1 PLC ±0.2 2 PLC ±0.25 3 PLC ±0.000 4 PLC ±0.000 ANGLES ± FINISH		APVD C. RICHARD 21APR2003		
MATERIAL		PRODUCT SPEC -	SIZE A2	CAGE CODE 00779
DRAWING NO 1546556		APPLICATION SPEC -	DRAWING NO 1546556	RESTRICTED TO -
CUSTOMER DRAWING		WEIGHT -	SCALE 6:1	SHEET 1 OF 1
		REV A		

# Mouser Electronics

Authorized Distributor

Click to View Pricing, Inventory, Delivery & Lifecycle Information:

[TE Connectivity:](#)

[1546556-3](#)