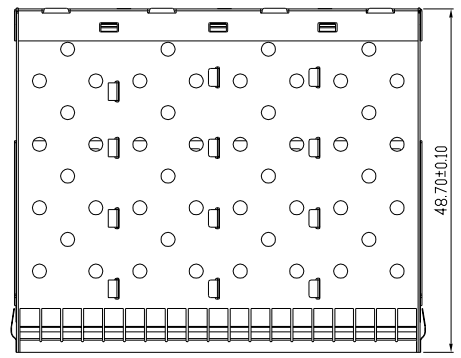


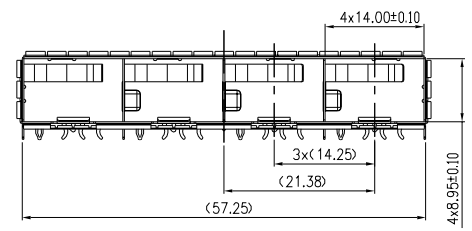
1 2 3 4

Product Number	Compliant Pin	Packaging
10122388-101LF	12 Places	Tray

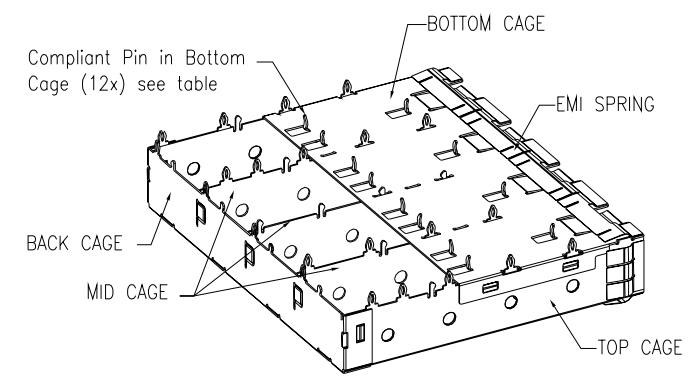
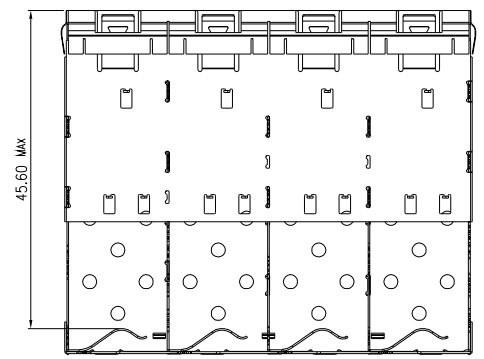
A



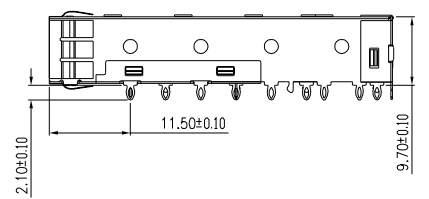
B



C



3D VIEW
SCALE 1:1



NOTES:

- | | | | |
|----------------|------|----------------------------|------------|
| 1, DESCRIPTION | Q'ty | MATERIAL | PLATING |
| TOP CAGE | 1PCS | NICKEL SILVER ALLOY T=0.25 | NO PLATING |
| BOTTOM CAGE | 1PCS | NICKEL SILVER ALLOY T=0.25 | NO PLATING |
| MID CAGE | 3PCS | NICKEL SILVER ALLOY T=0.25 | NO PLATING |
| BACK CAGE | 1PCS | NICKEL SILVER ALLOY T=0.25 | NO PLATING |
| EMI SPRING | N/A | COPPER ALLOY T=0.08 | Ni PLATED |
- 2, PRODUCT SPECIFICATION: GS-12-1165
 3, APPLICATION SPECIFICATION: GS-20-0384
 4, PACKAGE PER GS-14-2344 AND GS-14-920



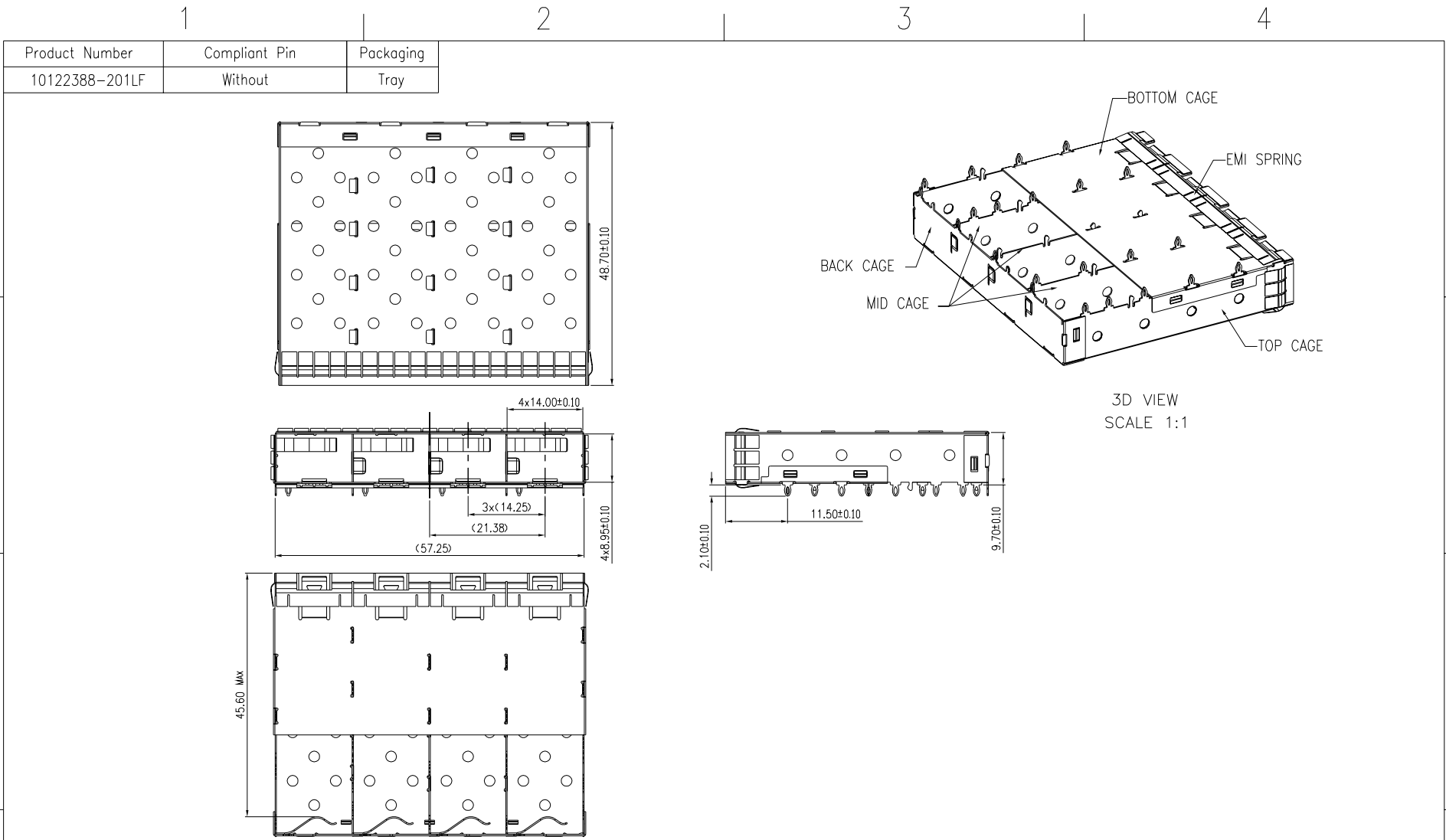
Copyright FCI.

D

spec ref	RELEASE	dr	Art Lin	2014-01-09	projection	size	scale
tolerance std	TOLERANCES UNLESS OTHERWISE SPECIFIED	eng	Zhen Luo	2014-01-09		A4	1:1
ISO406		chr	Collins Lu	2014-01-10		ecn no	
ISO1101		appr	JEFFREY QIN	2014-01-10	product family	SFP+	rel level
surface			title SFP+ 1X4 CAGE EMI SPRING TYPE PRESS FIT	www.fci.com	cat. no.	dwg no 10122388	rev C
ISO1302							
	angular	0°	±0.5°				
				Product-Customer Drw		sheet 1 of 5	

Proj/E File - REV C - 2009-06-09

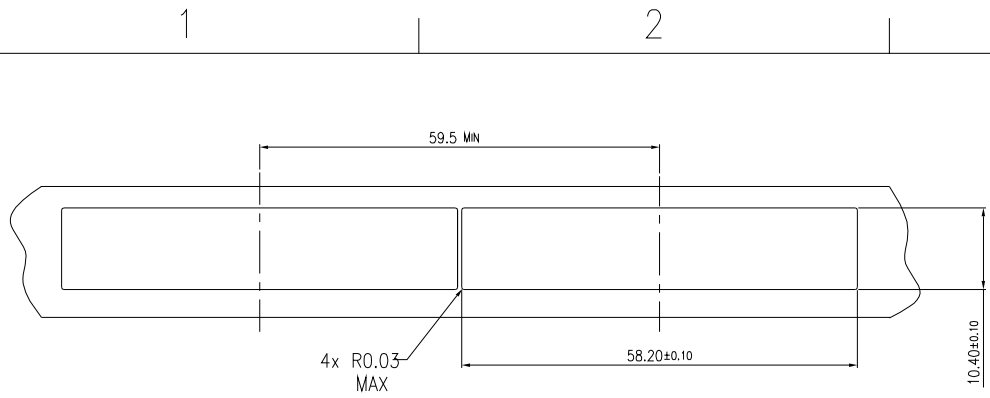
1 2 3 4



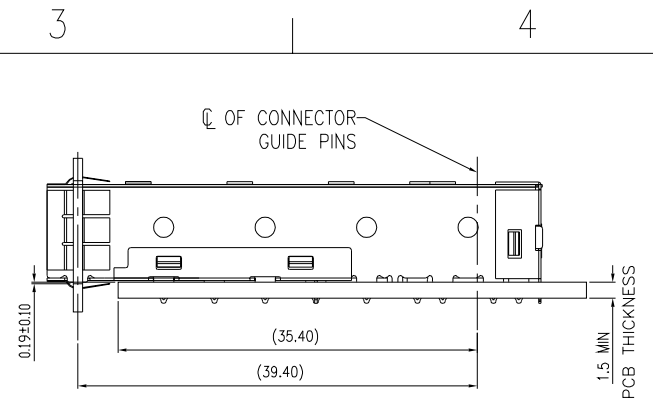
Copyright FCI.

spec ref	RELEASE			dr	Art Lin	2014-01-09	projection 	size	scale		
tolerance std	TOLERANCES UNLESS OTHERWISE SPECIFIED			eng	Zhen Luo	2014-01-09		MM	A4	1:1	
ISO406				chr	Collins Lu	2014-01-10	← MM →	ecn no			
ISO1101				apppr		JEFFREY QIN		2014-01-10	product family	SFP+	rel level
surface ISO1302	linear	0.X	±0.25		title	SFP+ 1X4 CAGE EMI SPRING TYPE PRESS FIT		dwg no	10122388		rev C
		0.XX	±0.20								
0.XXX	±0.15										
	angular	0°	±0.5°	www.fci.com	cat. no.	-	Product-Customer Drw	sheet 2 of 5			

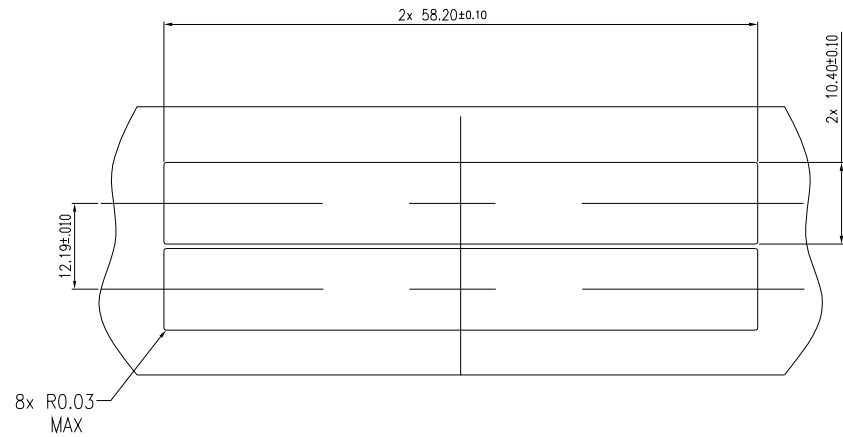
Proj/E File - REV C - 2009-06-09



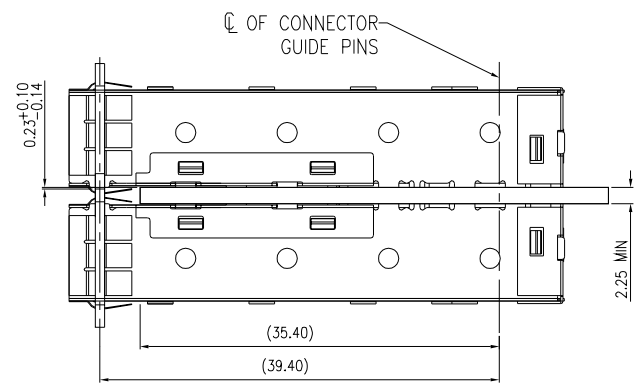
RECOMMENDED BEZEL CUT-OUT SINGLE SIDED APPLICATIONS



MOUNTED ON PC BOARD SHOWN THRU RECOMMENDED BEZEL



RECOMMENDED BEZEL CUT-OUT BELLY TO BELLY APPLICATIONS



MOUNTED BELLY TO BELLY ON PC BOARD SHOWN THRU RECOMMENDED BEZEL

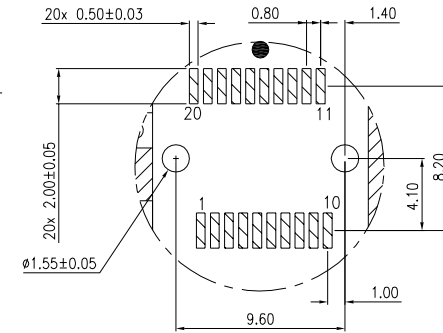
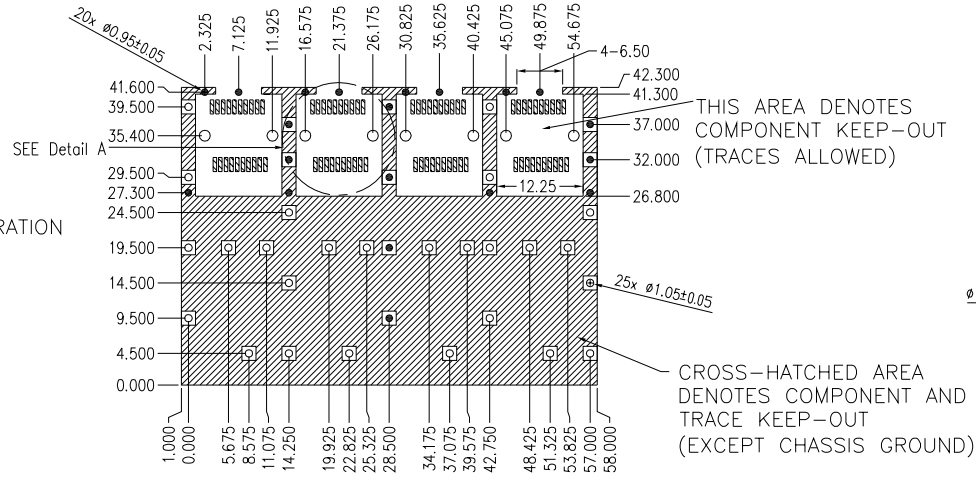


Copyright FCI.

spec ref	RELEASE	dr	Art Lin	2014-01-09	projection 	MM ←→	size	scale	
tolerance std	TOLERANCES UNLESS OTHERWISE SPECIFIED	eng	Zhen Luo	2014-01-09			A4	1:1	
ISO406		chr	Collins Lu	2014-01-10	ecn no				
ISO1101		appr	JEFFREY QIN	2014-01-10	product family	SFP+	rel level	Released	
surface ISO1302	linear	0.X	±0.25	FCI	title	SFP+ 1X4 CAGE EMI SPRING TYPE PRESS FIT	dwg no	10122388	rev
		0.XX	±0.20						
0.XXX	±0.15								
	angular	0°	±0.5°	www.fci.com	cat. no.	-	Product-Customer Drw	sheet 3 of 5	

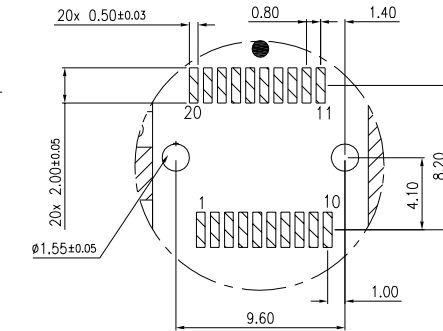
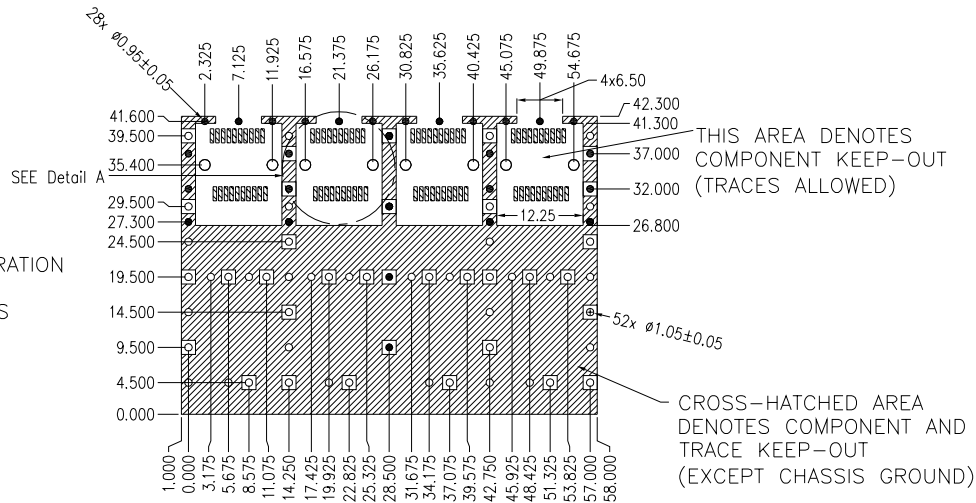
Pro/E File - REV C - 2009-06-09

10122388-101LF
RECOMMENDED PCB CONFIGURATION
WITH KEEP-OUT AREAS
SINGLE SIDED APPLICATIONS



Detail A
SCALE 2.5:1

10122388-101LF
RECOMMENDED PCB CONFIGURATION
WITH KEEP-OUT AREAS
BELLY TO BELLY APPLICATIONS



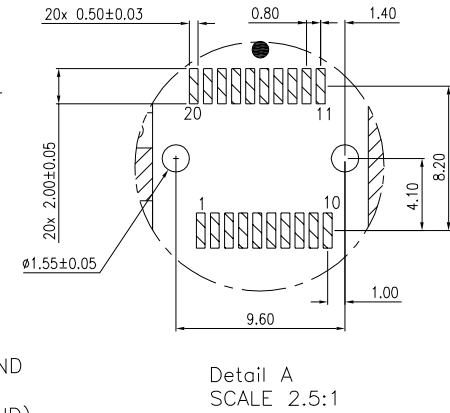
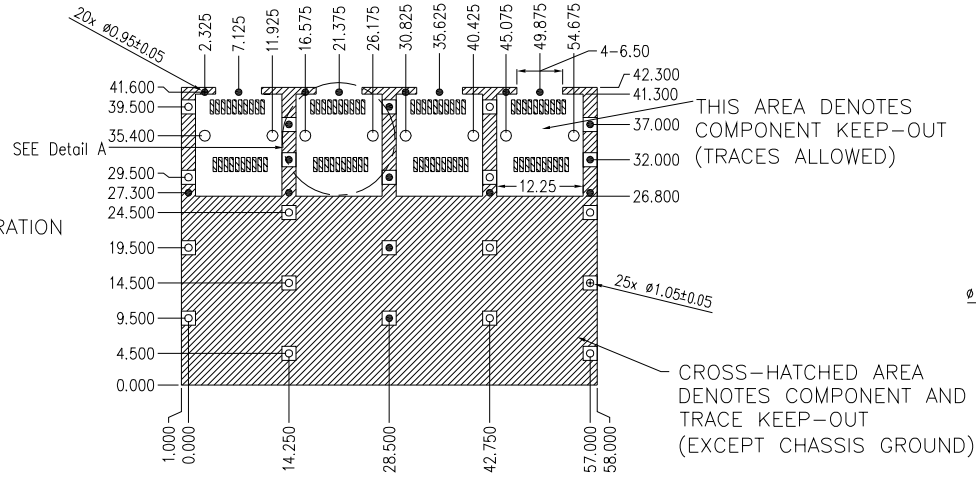
Detail A
SCALE 2.5:1



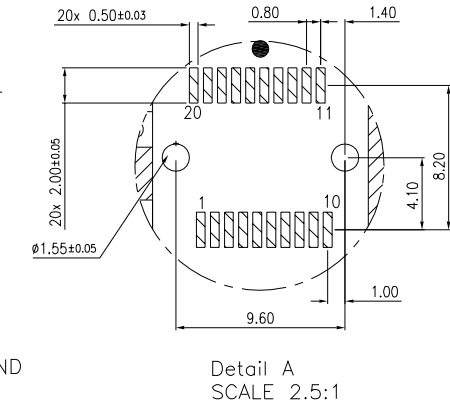
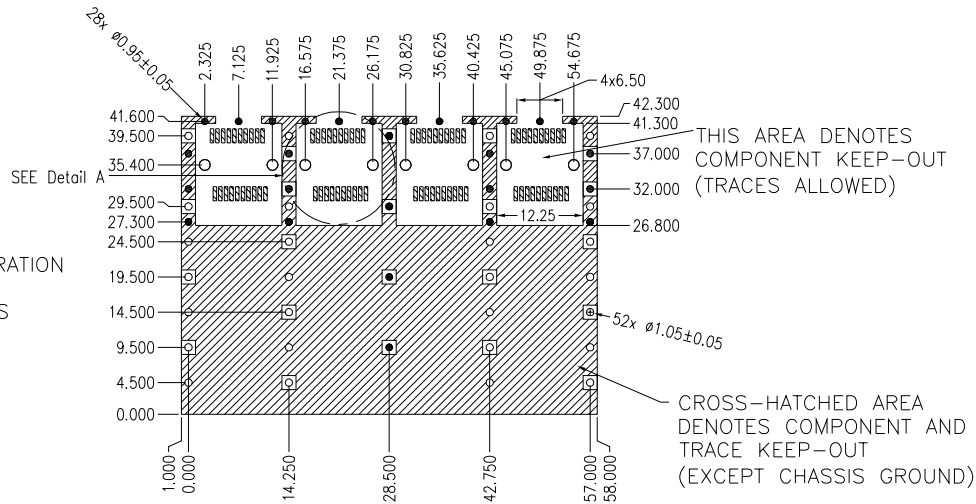
Copyright FCI.

spec ref	RELEASE			dr	Art Lin	2014-01-09	projection	size	scale
tolerance std	TOLERANCES UNLESS OTHERWISE SPECIFIED			eng	Zhen Luo	2014-01-09		A4	1:1
ISO406				chr	Collins Lu	2014-01-10		product family	SFP+
ISO1101				appr	JEFFREY QIN	2014-01-10		rel level	Released
surface	linear	0.X	±0.25		title	SFP+ 1X4 CAGE EMI SPRING TYPE PRESS FIT	dwg no	10122388	rev
		0.XX	±0.20						
	0.XXX	±0.15							
ISO1302	angular	0°	±0.5°	www.fci.com	cat. no.	-	Product-Customer Drw	sheet 4 of 5	

10122388-201LF
RECOMMENDED PCB CONFIGURATION
WITH KEEP-OUT AREAS
SINGLE SIDED APPLICATIONS



10122388-201LF
RECOMMENDED PCB CONFIGURATION
WITH KEEP-OUT AREAS
BELLY TO BELLY APPLICATIONS



Copyright FCI.

spec ref	RELEASE			dr	Art Lin	2014-01-09	projection	size	scale	
tolerance std	TOLERANCES UNLESS OTHERWISE SPECIFIED			eng	Zhen Luo	2014-01-09		A4	1:1	
ISO406				chr	Collins Lu	2014-01-10		ecn no		
ISO1101				appr	JEFFREY QIN	2014-01-10	product family	SFP+	rel level	Released
surface		linear	0.X	±0.25		title SFP+ 1X4 CAGE EMI SPRING TYPE PRESS FIT	dwg no 10122388	rev C		
			0.XX	±0.20						
			0.XXX	±0.15						
ISO1302		angular	0°	±0.5°	www.fci.com	cat. no.	-	Product-Customer Drw	sheet 5 of 5	

Pro/E File - REV C - 2009-06-09

Mouser Electronics

Authorized Distributor

Click to View Pricing, Inventory, Delivery & Lifecycle Information:

[FCI / Amphenol:](#)

[10122388-201LF](#) [10122388-101LF](#)