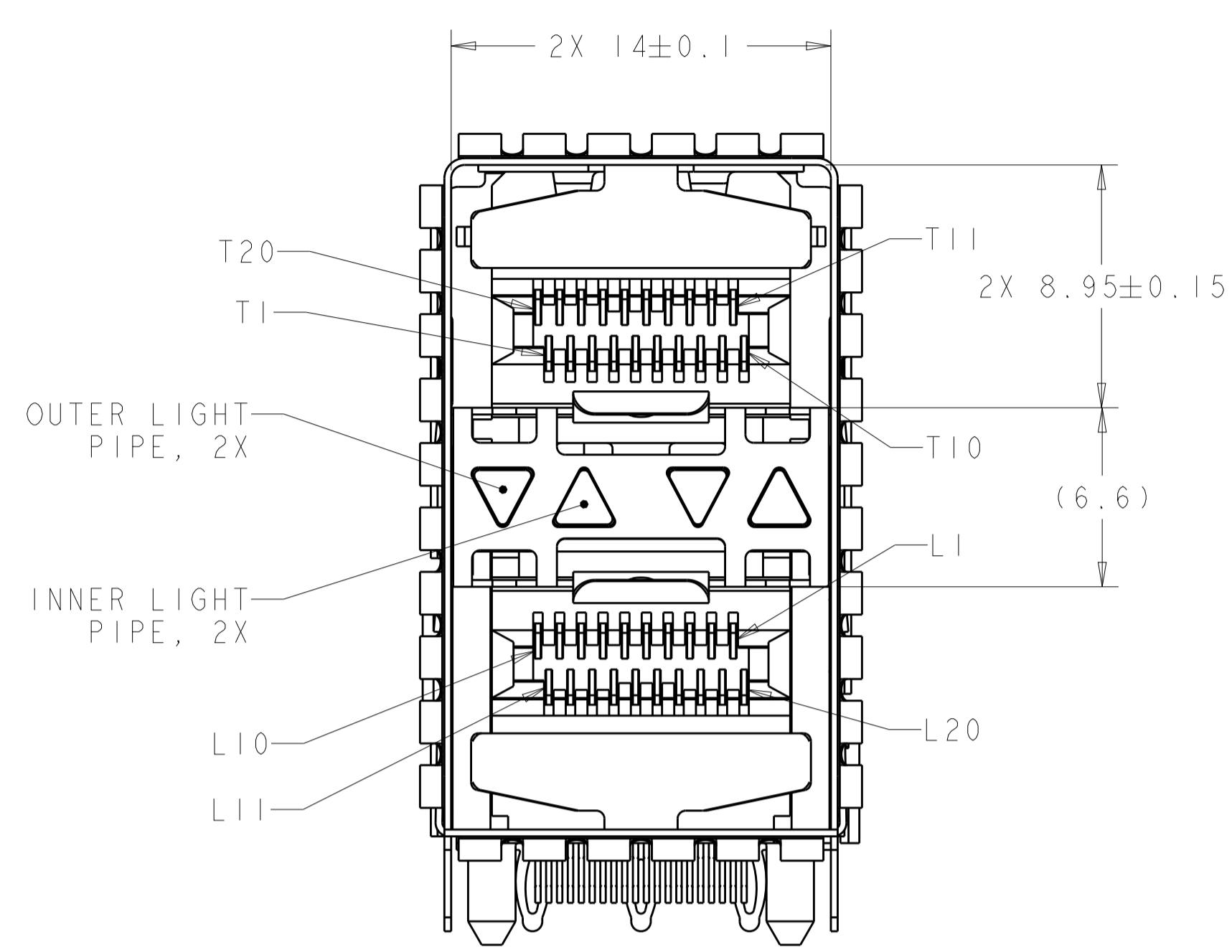
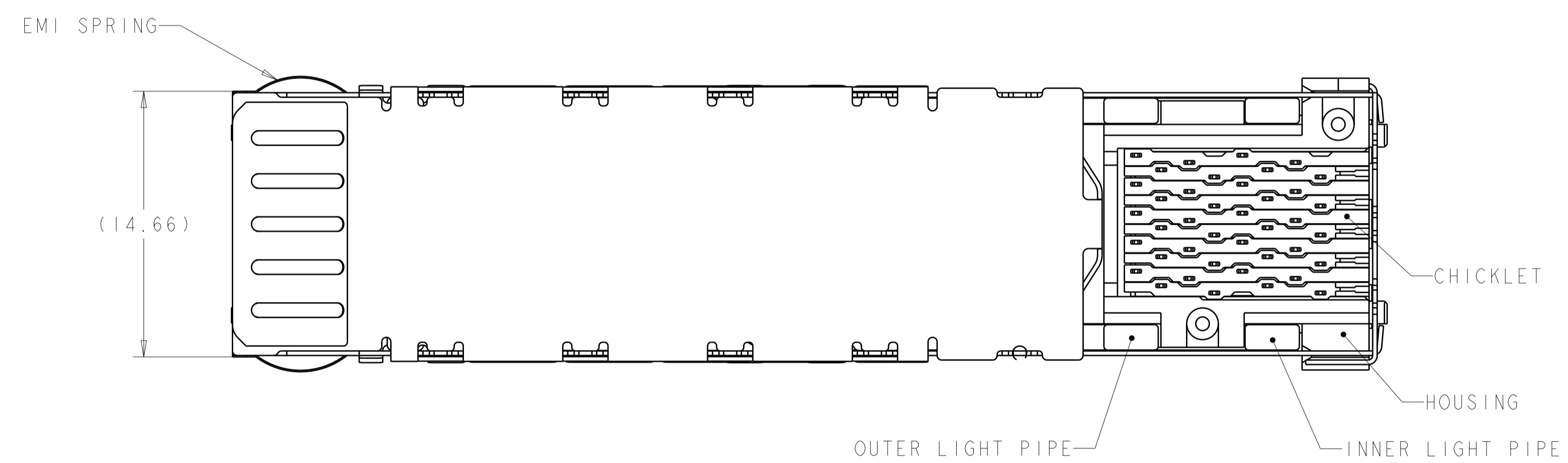
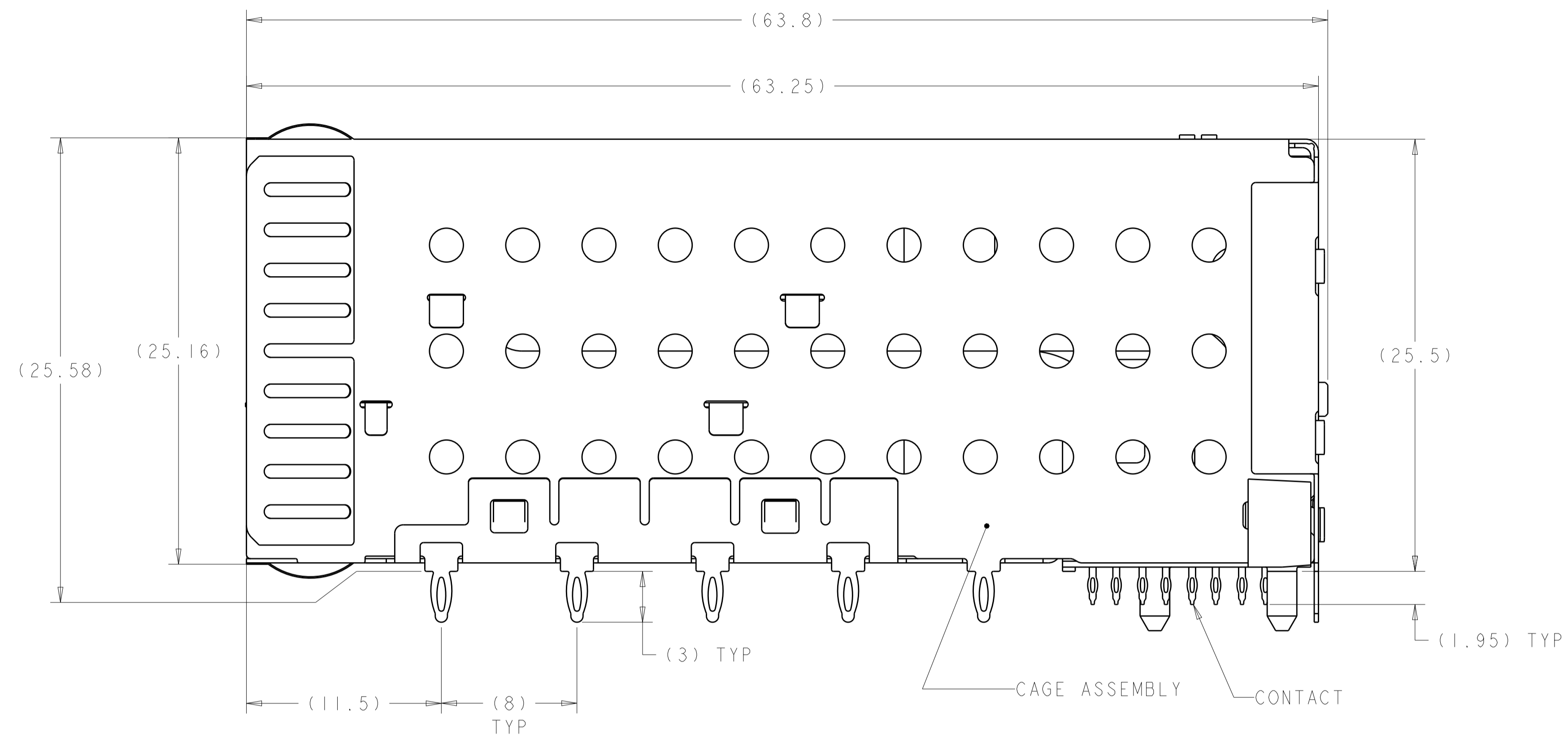


LOC		DIST		REVISIONS			
P	LTN	DESCRIPTION	DATE	DMN	APVD		
B1		REVISED PER ECO-11-004835	11MAR2011	RK	HMR		
C		REVISED PER ECO-11-020849	11JAN2011	CJV	PAR		
C1		REVISED PER ECO-13-003678	09APR2013	CJV	PAR		
D		REVISED PER ECO-15-017919	04APR2016	AP	PR		



2007492-5 AS SHOWN



- ⚠ MATERIALS:  
 CAGE ASSEMBLY- NICKEL SILVER ALLOY PER ASTM B 122.  
 EMI SPRING- COPPER ALLOY.  
 HOUSING- BLACK LCP, UL 94V-0 RATED.  
 CHICKLET- BLACK LCP, UL 94V-0 RATED.  
 LIGHT PIPE- POLYCARBONATE, CLEAR.  
 INSERT- LCP, BLACK, UL 94V-0.  
 CONTACT- COPPER ALLOY.
- ② DATUM AND BASIC DIMENSIONS ESTABLISHED BY CUSTOMER.
- 3. MINIMUM PCB THICKNESS OF 1.5.
- ④ CONTACT FINISH- CONFORMS TO THE REQUIREMENTS OF TE CONNECTIVITY PRODUCT SPECIFICATION 108-2331, BASED ON EIA/ECA-364-1000.01A, (CONTROLLED ENVIRONMENT APPLICATIONS) ON MATING INTERFACE, TIN-LEAD ON NEEDLE EYE.
- ⑤ CONTACT FINISH- CONFORMS TO THE REQUIREMENTS OF TE CONNECTIVITY PRODUCT SPECIFICATION 108-2331, BASED ON EIA/ECA-364-1000.01A, (CONTROLLED ENVIRONMENT APPLICATIONS) ON MATING INTERFACE, TIN ON NEEDLE EYE.
- ⑥ FOR HOLE SIZE AND PLATINGS, SEE APPLICATION SPEC 114-13219.
- ⑦ THE ENTIRE AREA OF THE CONNECTOR FOOTPRINT, INDICATED BY THE DASHED LINE, TO BE CONSIDERED THE KEEPOUT AREA FOR COMPONENTS AND SIGNAL TRACES, TOP SIDE ONLY. TOP SIDE TRACES ALLOWED WITHIN CONNECTOR HOLE PATTERN.
- ⑧ LIGHT PIPE PAD LAYOUT IS FOR 0805 LOW PROFILE LED PACKAGE WITH A HEIGHT OF 0.8mm.
- ⑨ EMI SPRING FINISH: 0.8µm MINIMUM MATTE TIN OVER 0.8µm MINIMUM NICKEL, NONPLATED EDGES PERMISSIBLE.
- ⑩ ADDITIONAL COMPONENT LOCATED WITHIN LATCH PLATE FOR EMI SUPPRESSION.

YES	NO	NO LIGHT PIPES	1-2007492-8
YES	⑩	OUTER 2 LIGHT PIPES	1-2007492-7
		INNER 2 LIGHT PIPES	1-2007492-6
		4 LIGHT PIPES	1-2007492-5
NO	⑤	NO LIGHT PIPES	2007492-8
		OUTER 2 LIGHT PIPES	2007492-7
		INNER 2 LIGHT PIPES	2007492-6
NO	④	4 LIGHT PIPES	2007492-5
		NO LIGHT PIPES	2007492-4
		OUTER 2 LIGHT PIPES	2007492-3
SUPERSEDED	NO	INNER 2 LIGHT PIPES	2007492-2
		4 LIGHT PIPES	2007492-1
ENHANCED EMI	FINISH	DESCRIPTION	PART NUMBER

THIS DRAWING IS A CONTROLLED DOCUMENT. DIMENSIONING AND TOLERANCING PER ASME Y14.5M-2009. TOLERANCES UNLESS OTHERWISE SPECIFIED:

mm	0 PLC ±0.10
	1 PLC ±0.10
	2 PLC ±0.10
	3 PLC ±0.10
	4 PLC ±0.10
	ANGLES ±°
	FINISH

MATERIAL: ①

DMN: M. SHIRK 30NOV2007  
 CHK: D. SZCZESNY 30NOV2007  
 APVD: D. SZCZESNY 30NOV2007

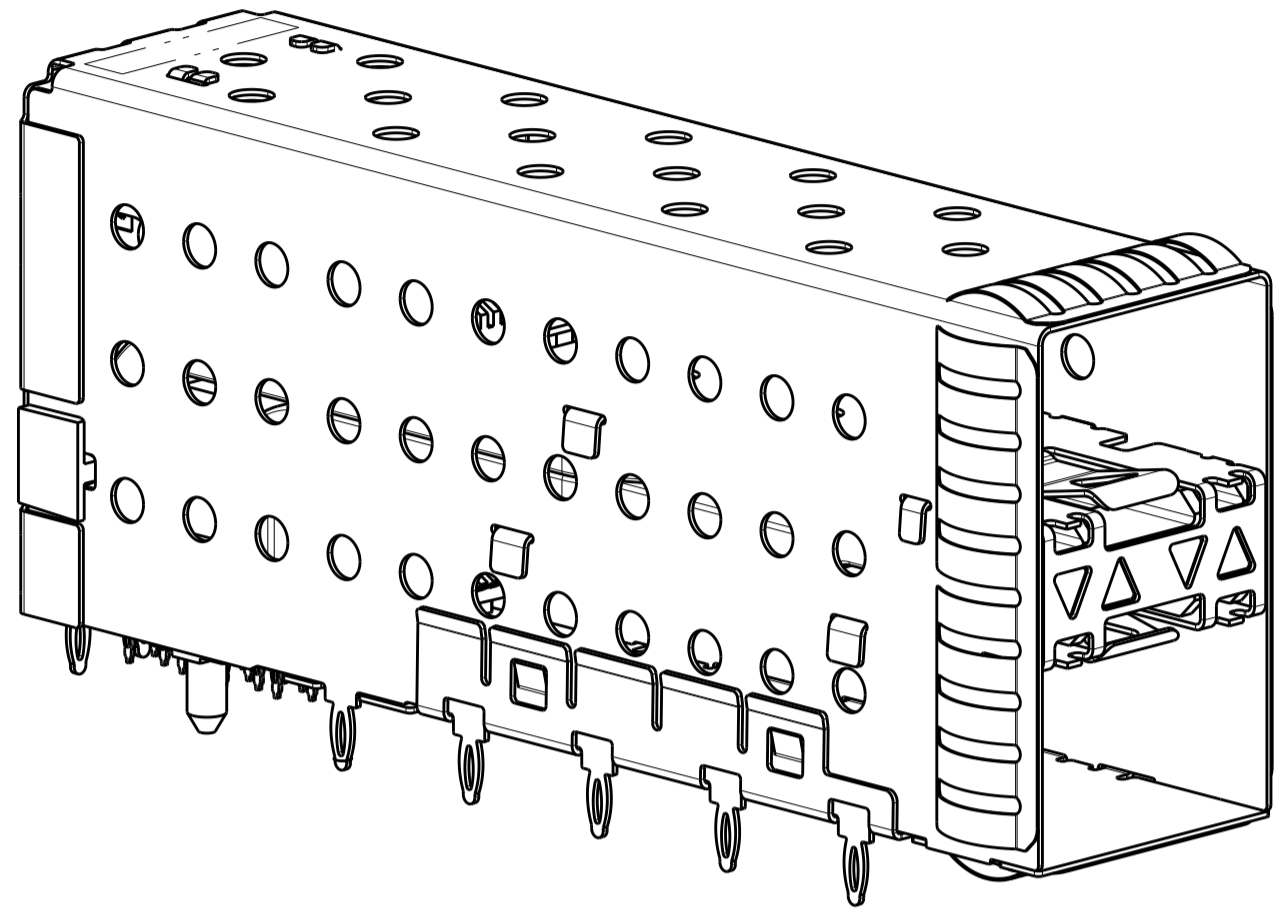
NAME: CAGE AND PT CONNECTOR ASSEMBLY, WITH EMI SPRINGS, PRESS FIT, 2X1, STACKED SFP+

SIZE: 114-13219  
 WEIGHT: -  
 CUSTOMER DRAWING

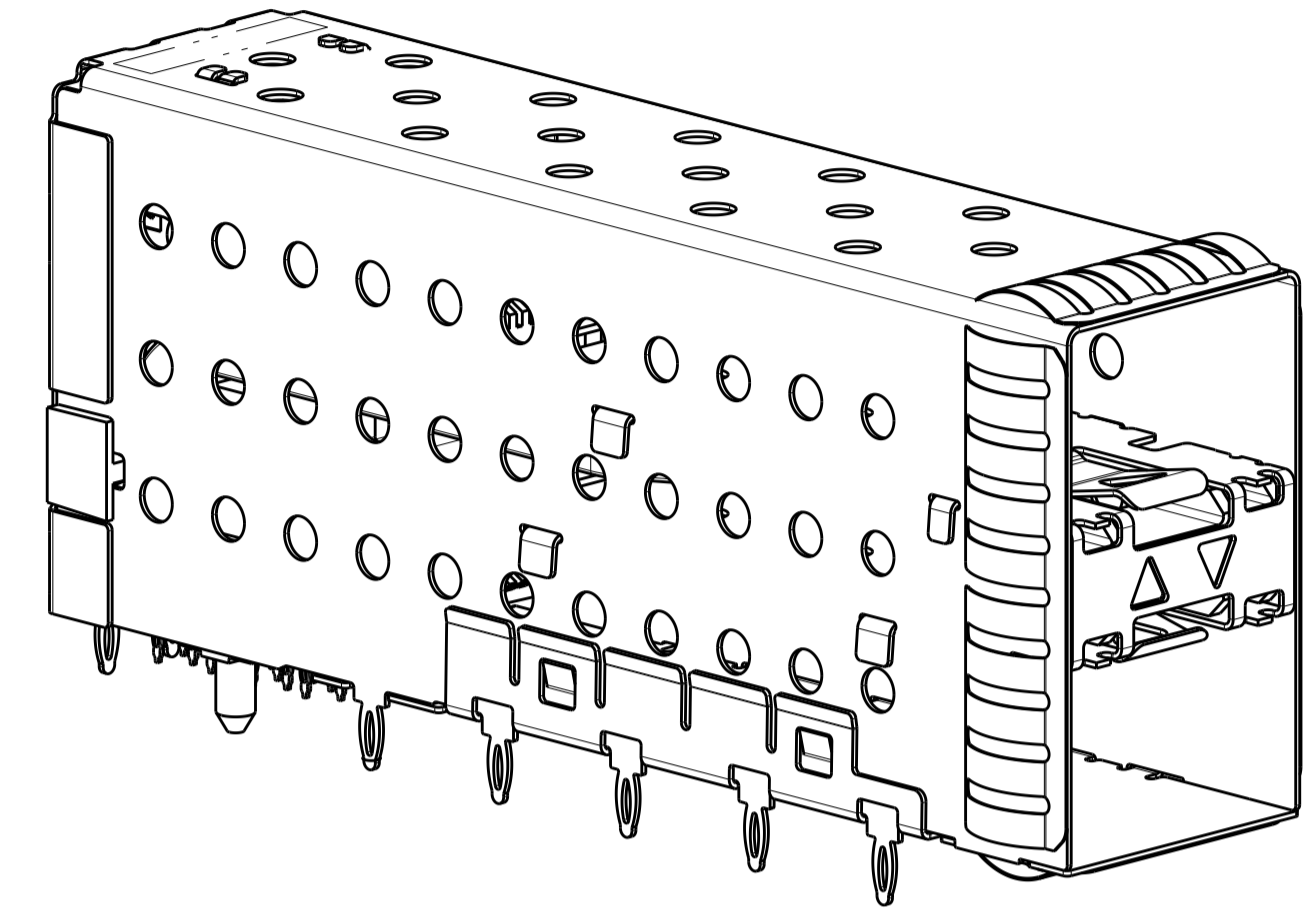
SCALE: 5:1 SHEET 1 OF 4 REV D

THIS DRAWING IS UNPUBLISHED. RELEASED FOR PUBLICATION 20  
 © COPYRIGHT 20 BY - ALL RIGHTS RESERVED.

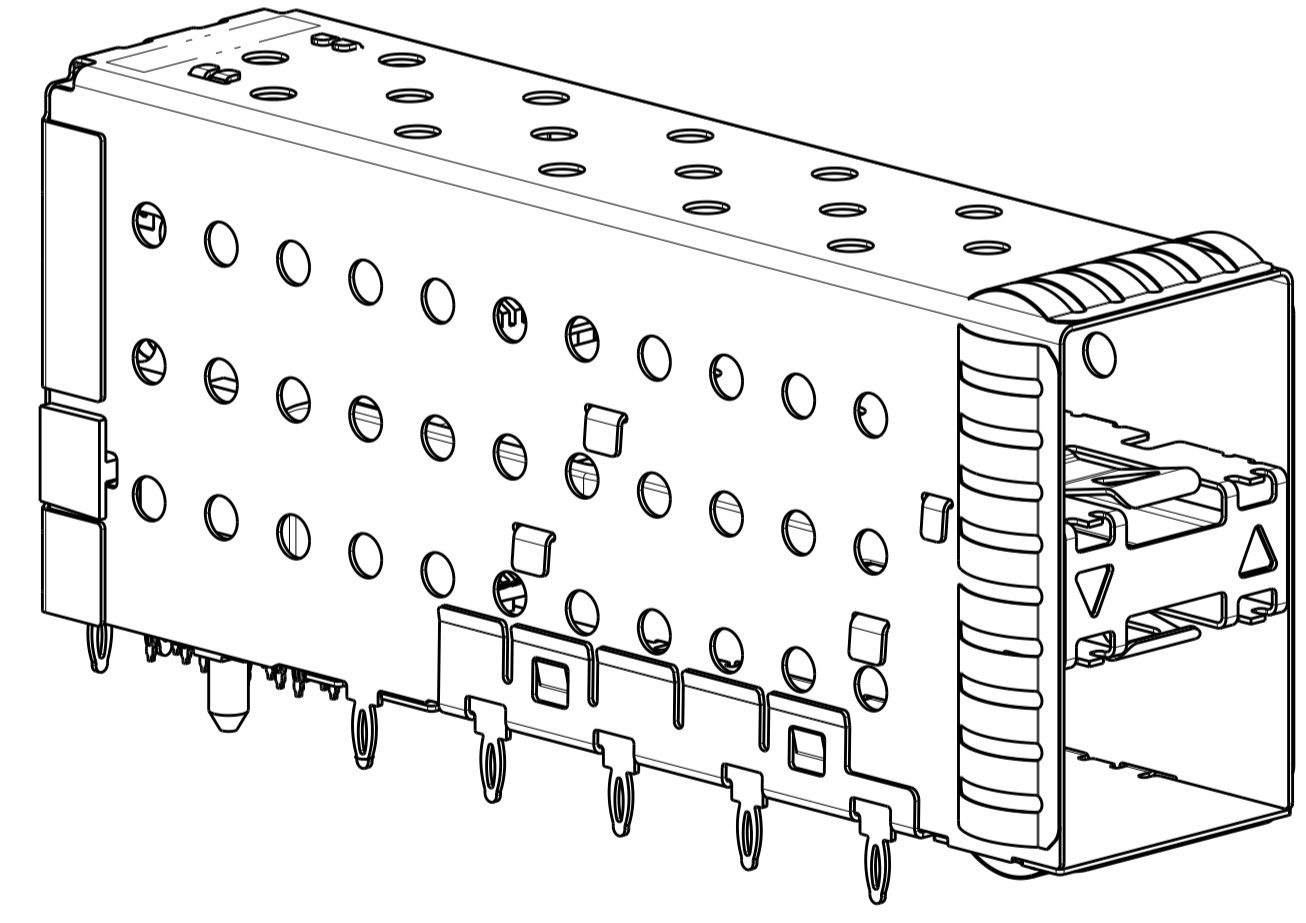
LOC		DIST		REVISIONS			
GP	00	P	LYR	DESCRIPTION	DATE	DWN	APVD
		-		SEE SHEET 1			



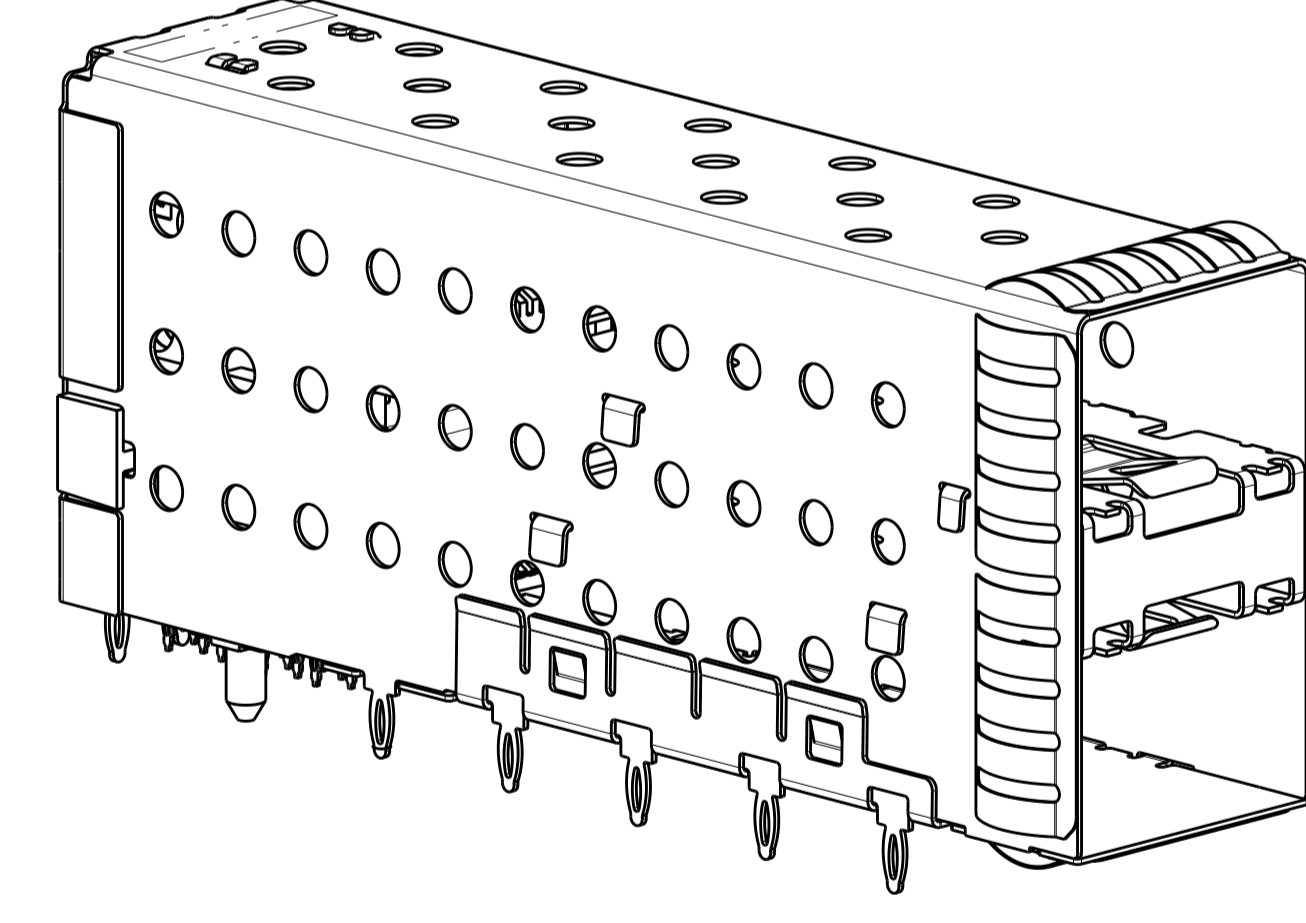
2007492-5 AND 1-2007492-5  
 SCALE 3:1



2007492-6 AND 1-2007492-6  
 SCALE 3:1



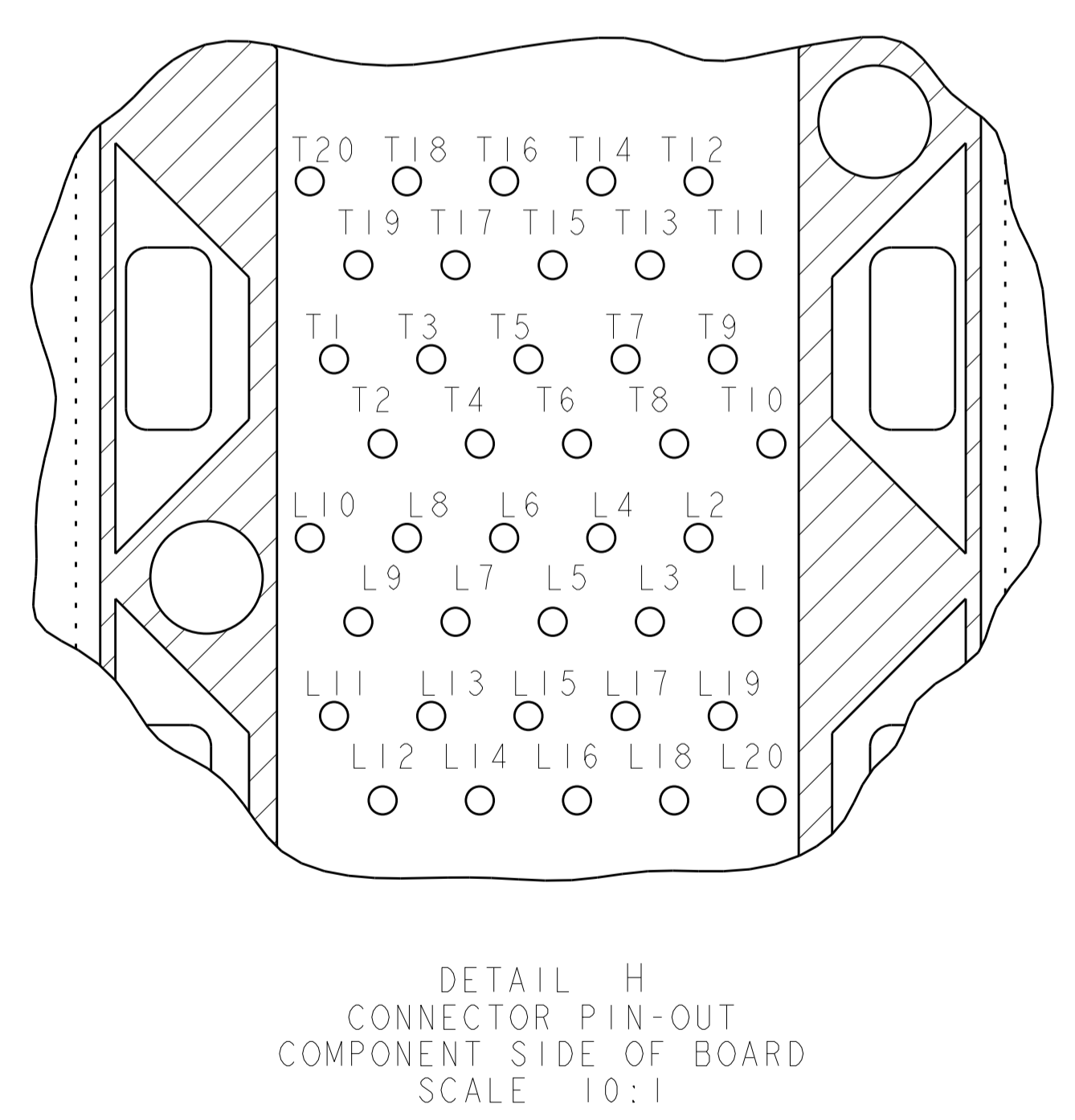
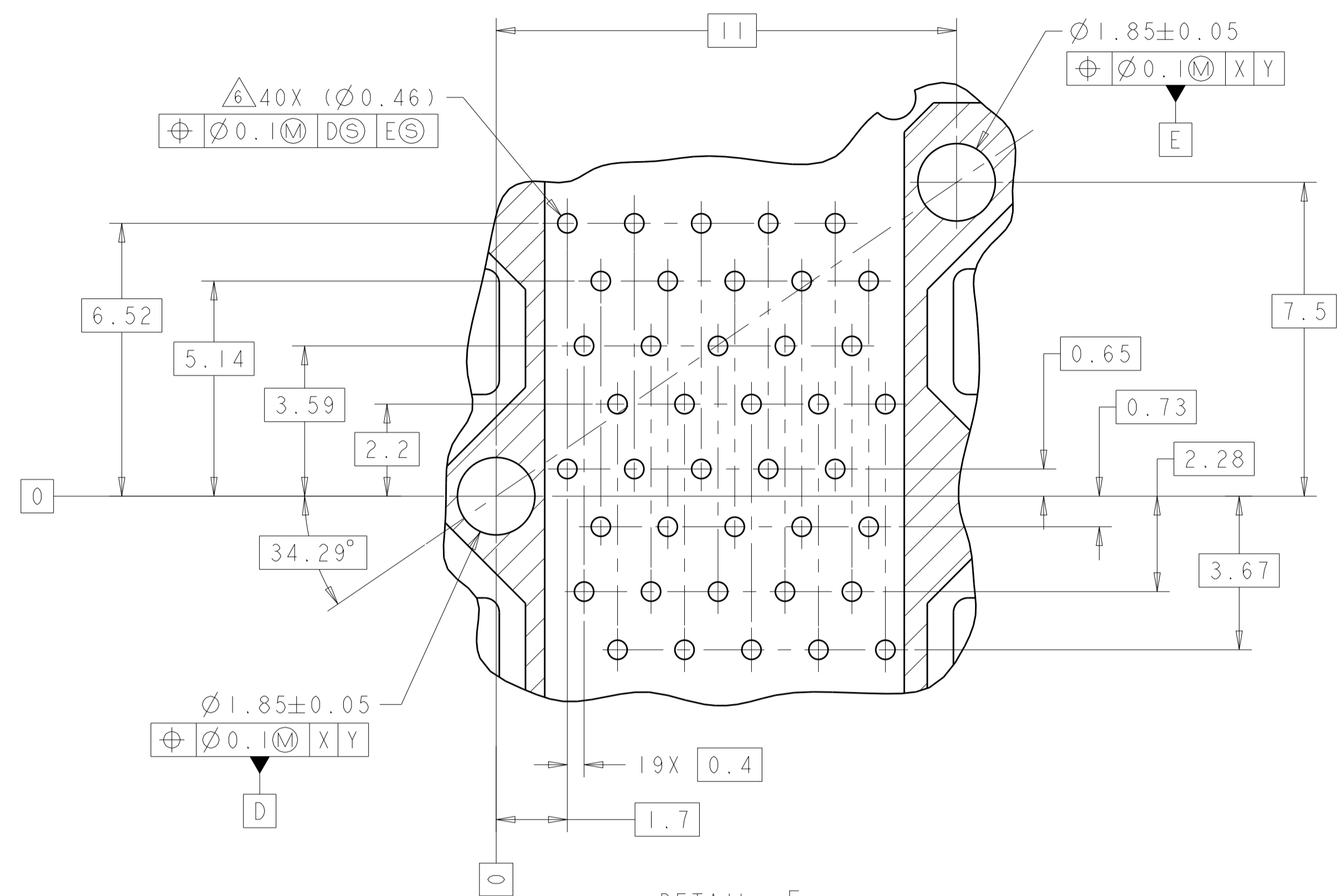
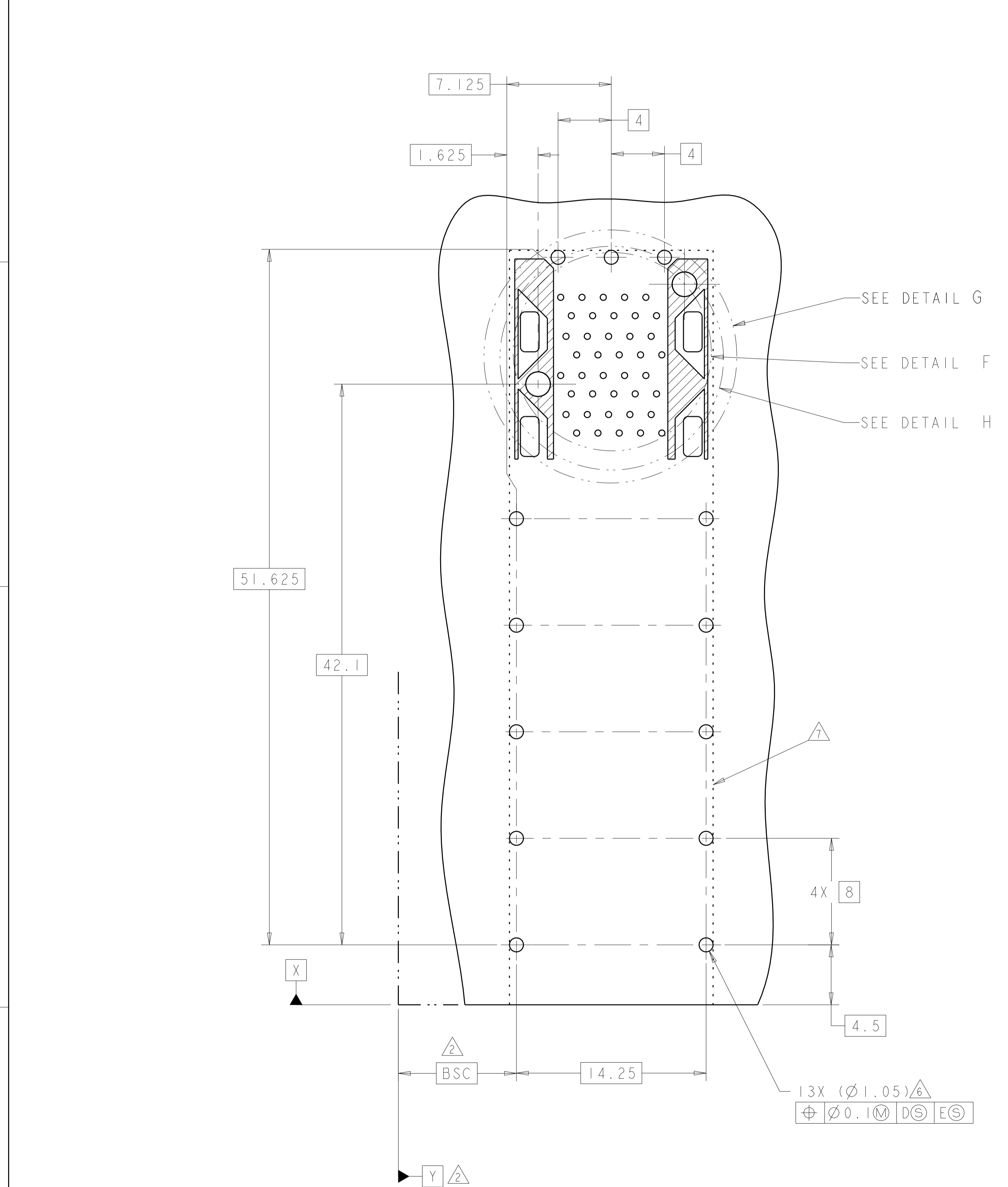
2007492-7 AND 1-2007492-7  
 SCALE 3:1



2007492-8 AND 1-2007492-8  
 SCALE 3:1

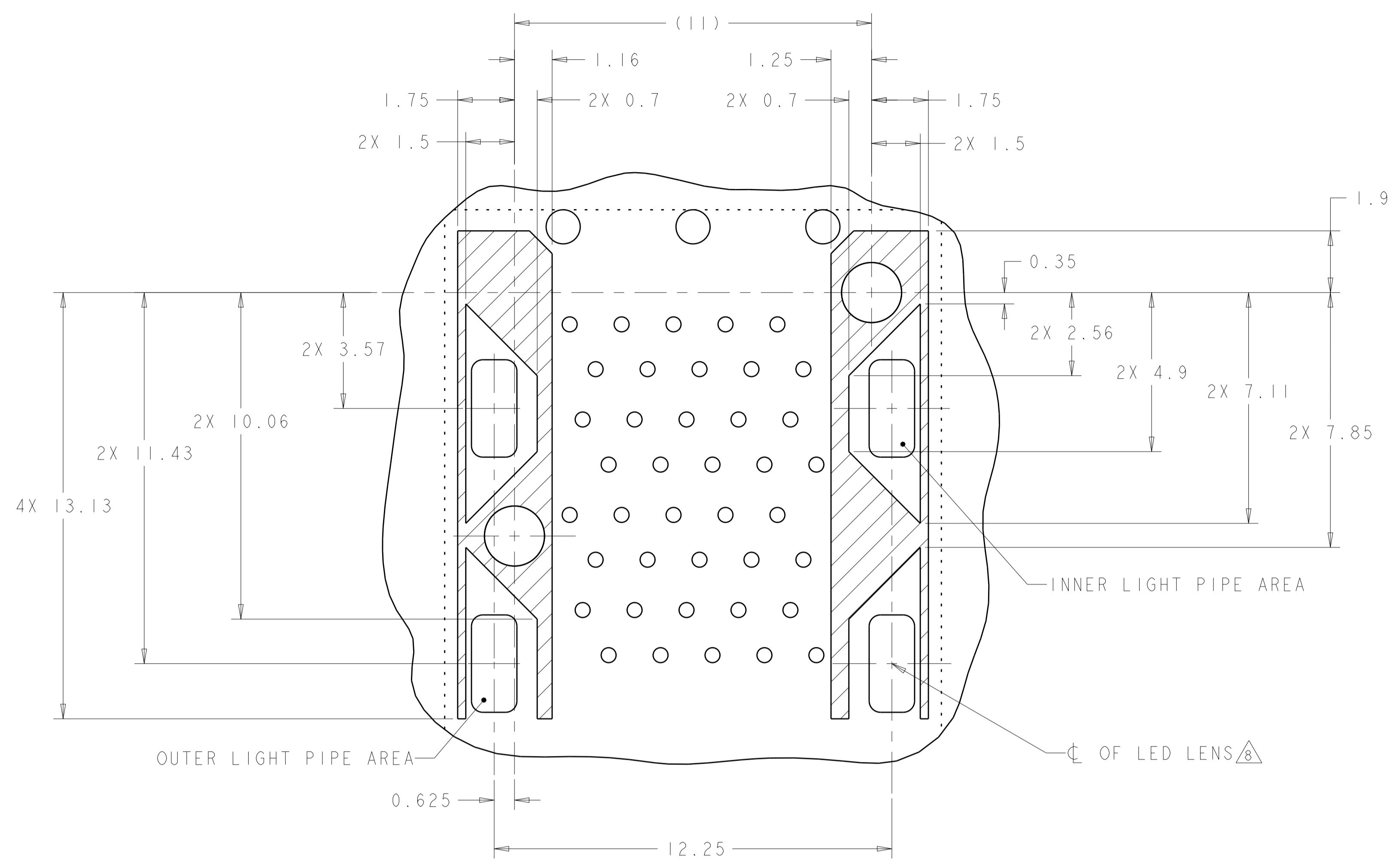
THIS DRAWING IS A CONTROLLED DOCUMENT. DIMENSIONING AND TOLERANCING PER ASME Y14.5M-2009.		DWN: M. SHIRK 30NOV2007	TE Connectivity
DIMENSIONS: mm		CHK: D. SZCZESNY 30NOV2007	
TOLERANCES UNLESS OTHERWISE SPECIFIED: 0 PLC ±0.10 1 PLC ±0.10 2 PLC ±0.10 3 PLC ±0.10 4 PLC ±0.10 ANGLES ±°		APVD: D. SZCZESNY 30NOV2007	NAME: CAGE AND PT CONNECTOR ASSEMBLY, WITH EMI SPRINGS, PRESS FIT, 2X1, STACKED SFP+
MATERIAL: FINISH:		PRODUCT SPEC: 108-2331	SIZE: A1
		APPLICATION SPEC: 114-13219	CAGE CODE: 00779
		WEIGHT: -	DRAWING NO: 2007492
		CUSTOMER DRAWING	SCALE: 5:1 SHEET 2 OF 4 REV D

LOC	DIST	REV	DATE	BY	APPV
GP	00				
REVISIONS					
		DESCRIPTION	DATE	BY	APPV
		SEE SHEET 1			

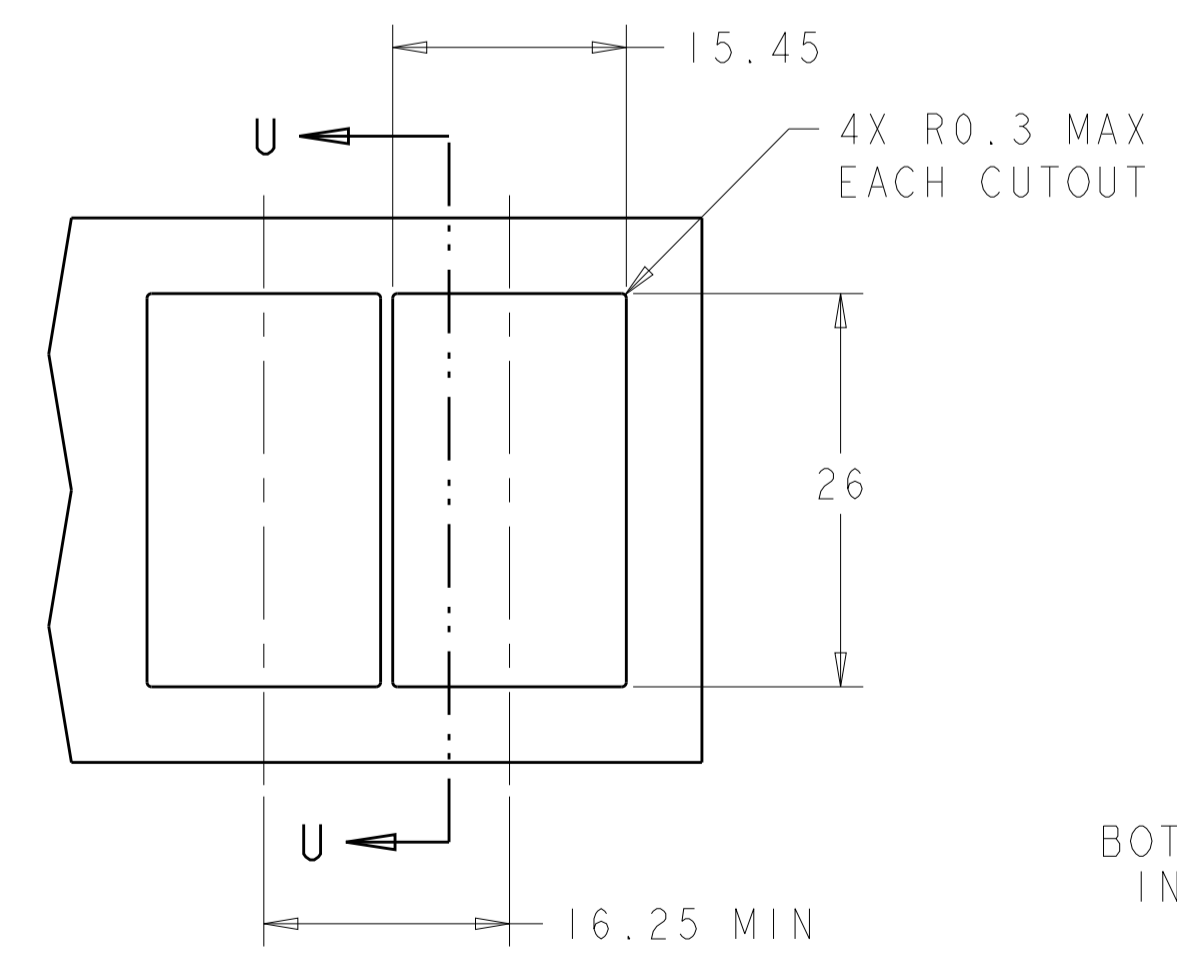


THIS DRAWING IS A CONTROLLED DOCUMENT. DIMENSIONING AND TOLERANCING PER ASME Y14.5M-2009		OWN: M. SHIRK 30NOV2007 CHK: D. SZCZESNY 30NOV2007 APV: D. SZCZESNY 30NOV2007	TE Connectivity NAME: CAGE AND PT CONNECTOR ASSEMBLY, WITH EMI SPRINGS, PRESS FIT, 2X1, STACKED SFP+
DIMENSIONS: mm	TOLERANCES UNLESS OTHERWISE SPECIFIED:	PRODUCT SPEC: 108-2331 APPLICATION SPEC: 114-13219 WEIGHT: -	
MATERIAL:	FINISH:	SIZE: A100779 SCALE: 5:1	RESTRICTED TO: - SHEET 3 OF 4 REV D

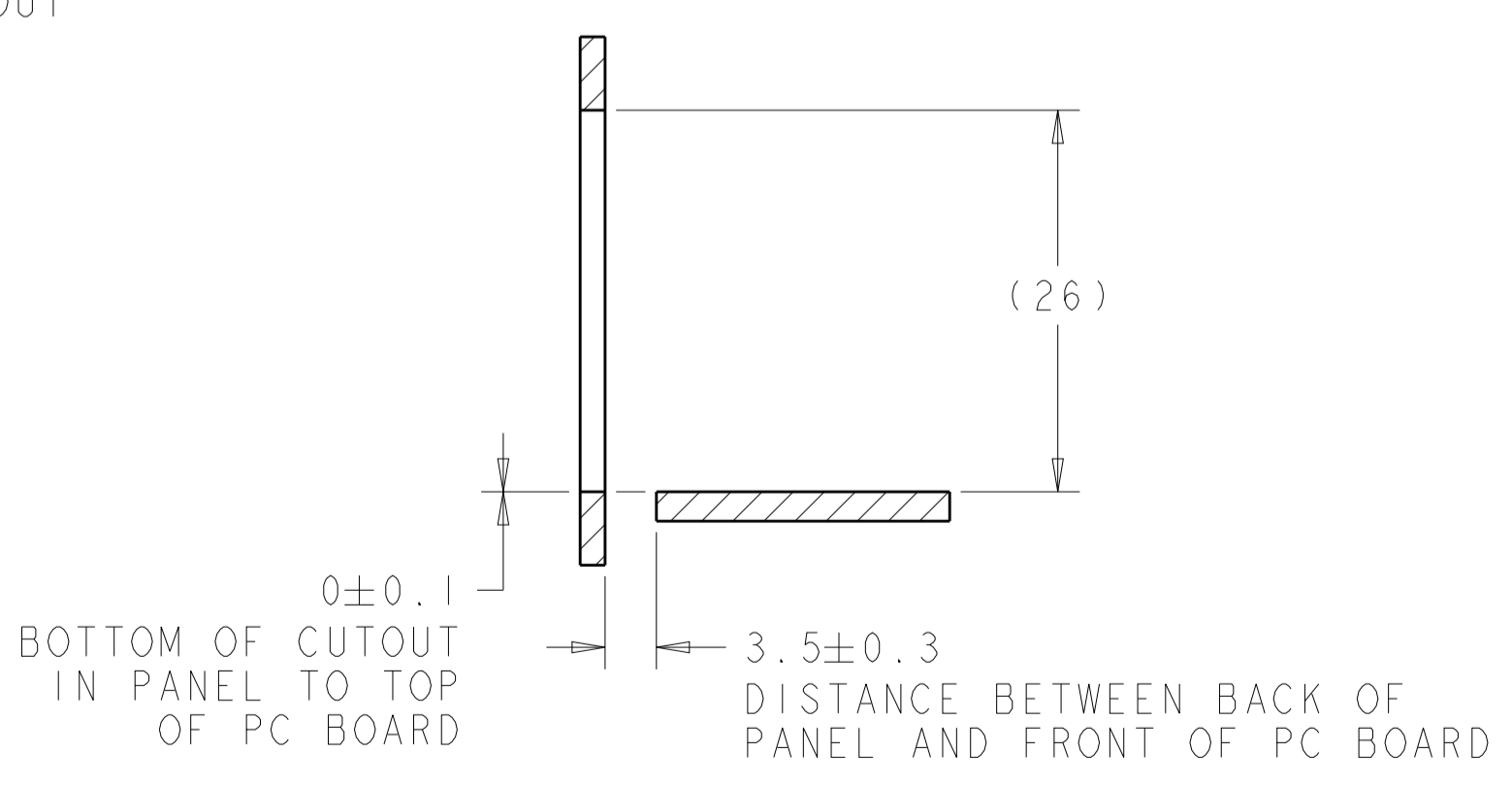
LOC		DIST		REVISONS			
GP	00	P	LTN	DESCRIPTION	DATE	DWN	APVD
		-		SEE SHEET 1			



DETAIL G  
 CONNECTOR HOUSING  
 KEEPOUT ZONE  
 SCALE 10:1



RECOMMENDED PANEL CUTOUT  
 AND PC BOARD, PANEL POSITION  
 SCALE 2:1



SECTION U-U

THIS DRAWING IS A CONTROLLED DOCUMENT. DIMENSIONING AND TOLERANCING PER ASME Y14.5M-2009.		DWN: M. SHIRK 30NOV2007 CHK: D. SZCZESNY 30NOV2007 APVD: D. SZCZESNY 30NOV2007	TE Connectivity NAME: CAGE AND PT CONNECTOR ASSEMBLY, WITH EMI SPRINGS, PRESS FIT, 2X1, STACKED SFP+
DIMENSIONS: mm	TOLERANCES UNLESS OTHERWISE SPECIFIED:	PRODUCT SPEC: 108-2331 APPLICATION SPEC: 114-13219	
0 PLC ±0.10 1 PLC ±0.10 2 PLC ±0.10 3 PLC ±0.10 4 PLC ±0.10 ANGLES ±°	FINISH	SIZE: A100779 CAGE CODE: C=2007492 DRAWING NO: 2007492	RESTRICTED TO: -
MATERIAL	FINISH	WEIGHT	SCALE: 5:1 SHEET 4 OF 4 REV D
CUSTOMER DRAWING			

# Mouser Electronics

Authorized Distributor

Click to View Pricing, Inventory, Delivery & Lifecycle Information:

[TE Connectivity:](#)

[2007492-8](#)