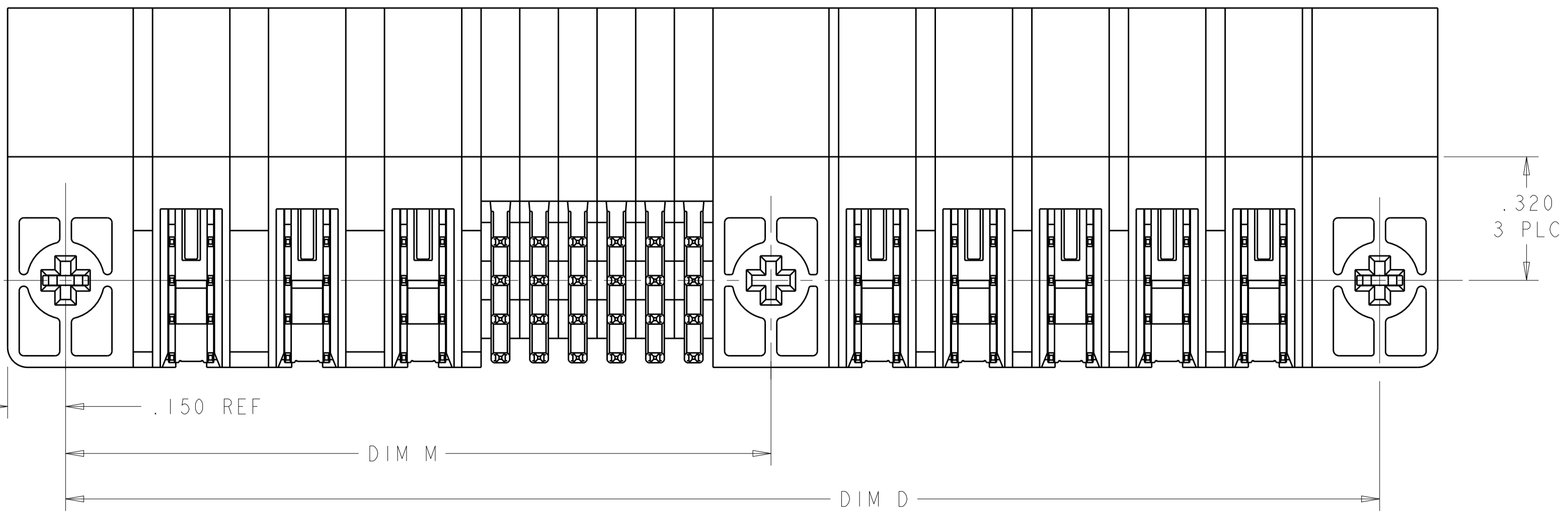
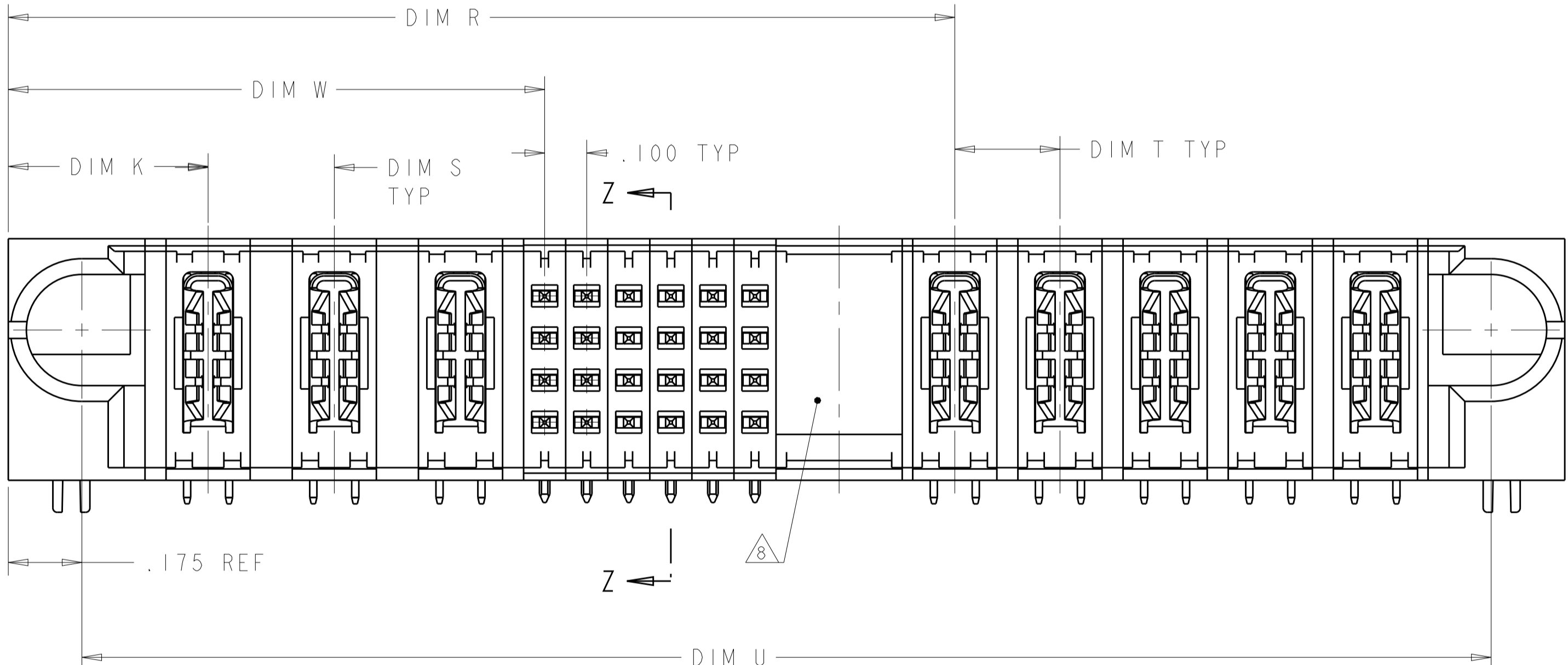
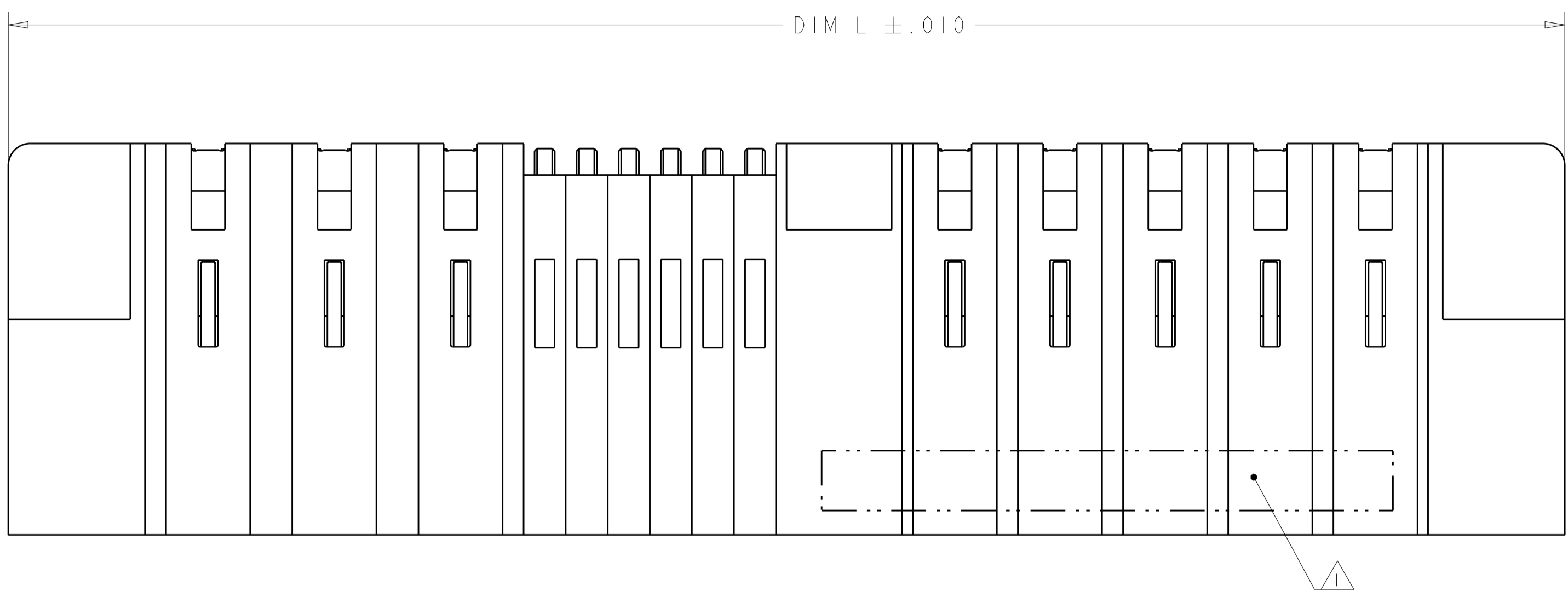
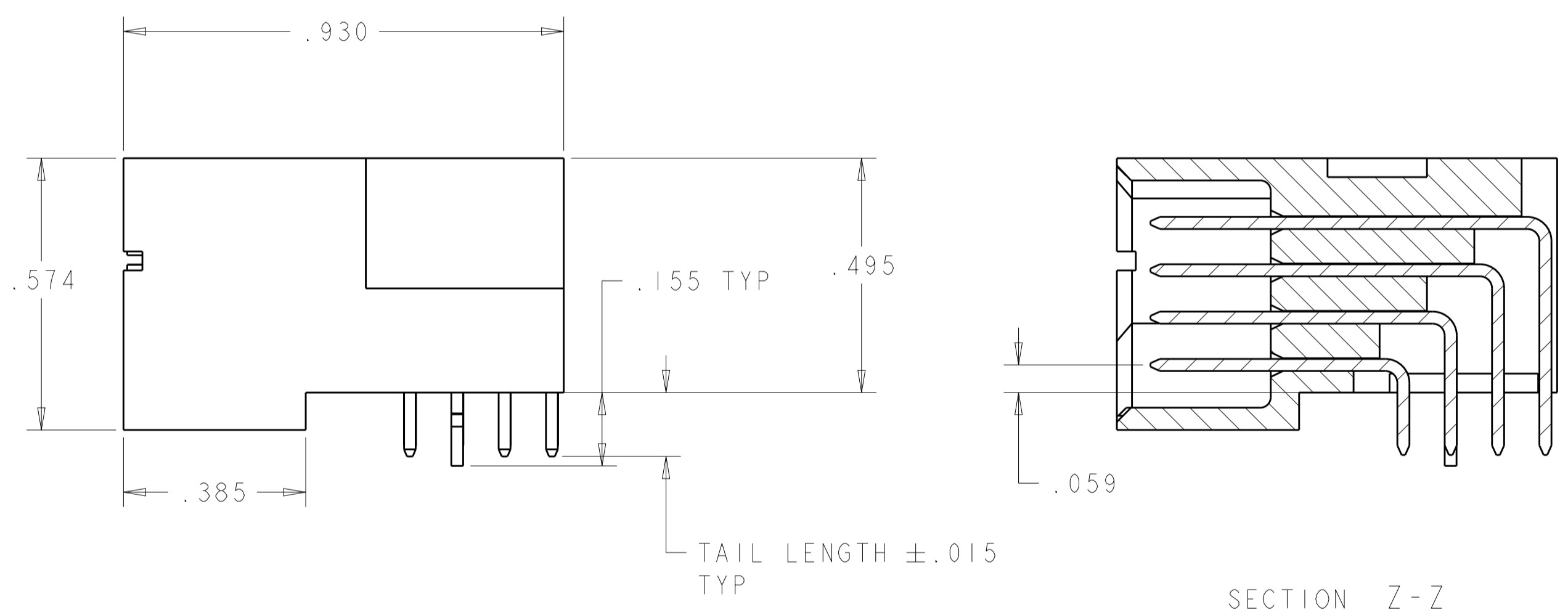


LOC	DIST	REV	DATE	BY	CHK	APPV
ES	00					

REVISIONS						
REV	DATE	BY	CHK	APPV	DESCRIPTION	
M1	08FEB2014	AL	SZ		ADD NEW DASH NUMBER 7-0	
M2	21MAR2014	AL	SZ		ADD NEW DASH NUMBER	



- 1 "AMP" PART NUMBER AND DATE CODE TO BE MARKED IN AREA SHOWN. PARTS UNDER 2.500 LONG MAY BE MARKED ON BOTH SIDES.
- 2 MATERIAL: HOUSING - GLASS FILLED HIGH TEMP THERMO PLASTIC, UL 94 V-0
 SIGNAL CONTACT - COPPER ALLOY
 POWER CONTACT - HIGH CONDUCTIVITY COPPER ALLOY.
- 3 CONTACT FINISHE:
 NOBLE METAL PLATED ON THE CONTACT FUNCTIONAL AREA OF POWER AND SIGNAL CONTACTS.
- 4 MECHANICAL CONNECTOR KEEP OUT ZONE. WHEN PLACING CONNECTORS END-TO-END, ALLOW ADDITIONAL 0.1 CLEARANCE BETWEEN CONNECTORS FOR LATCH ACTIVATION.
- 5 DATUM AND BASIC DIMENSIONS ESTABLISHED BY CUSTOMER.
- 6 PCB - ALL HOLE DIAMETERS ARE FINISHED HOLE SIZES.
- 7 PCB - .0453±.0010 DRILLED HOLES PLATED WITH .0003 MIN Sn OVER .001 TO .003 Cu PLATING TO ACHIEVE A .040 DIA HOLE.
- 8 OPTIONAL CENTER MODULE WITH Ø.150 THRU HOLE OR HOLD DOWN FEATURE.



THIS DRAWING IS A CONTROLLED DOCUMENT.

DWN: R.GRZYBOWSKI 02FEB05
 CHK: M.PERCHEKKE 02FEB05
 APVD: M.PERCHEKKE 02FEB05

STE TE Connectivity

NAME: RIGHT ANGLE HEADER W/GUIDES ASSEMBLY MULTI-BEAM XL

PRODUCT SPEC: 108-1973
 APPLICATION SPEC: 114-13038

SIZE: A1
 CAGE CODE: 6450120
 DRAWING NO: 100779

RESTRICTED TO: -

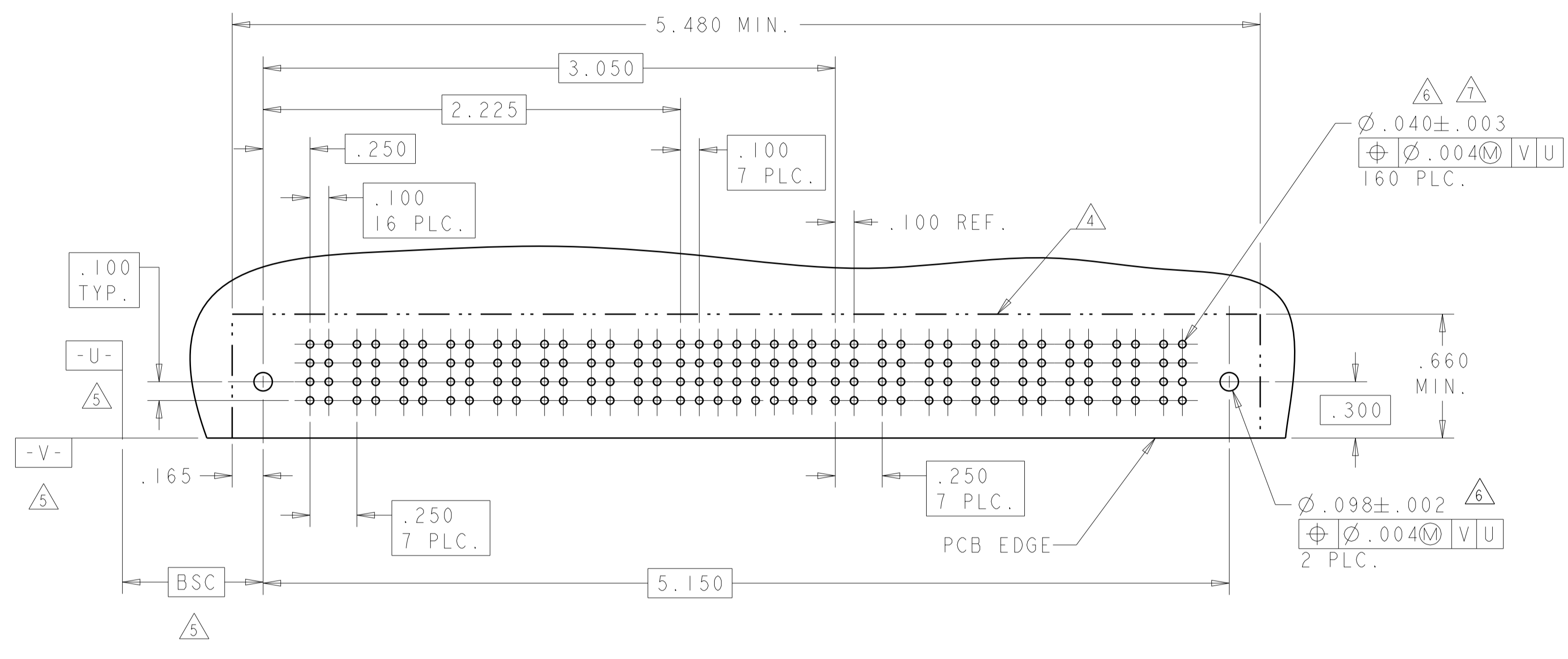
MATERIAL: FINISH:

CUSTOMER DRAWING

SCALE: 4:1 SHEET 1 OF 24 REV: M2

LOC	DIST	REVISIONS					
ES	00	P	LTN	DESCRIPTION	DATE	OWN	APVD
		-		SEE SHEET 1			

PART NUMBER	ROWS	POWER							SIGNAL								POWER							
		P1	P2	P3	P4	P5	P6	P7	P8	1	2	3	4	5	6	7	8	P9	P10	P11	P12	P13	P14	P15
6450120-1	D	PM	PM	PM	PM	PM	PM	PM	J	J	J	J	J	J	J	J	PM	PM	PM	PM	PM	PM	PM	PM
	C								K	K	K	K	K	K	K	K								
	B								N	N	N	N	N	N	N	N								
8P + 32S + 8P	A							S	S	S	S	S	S	S	S									

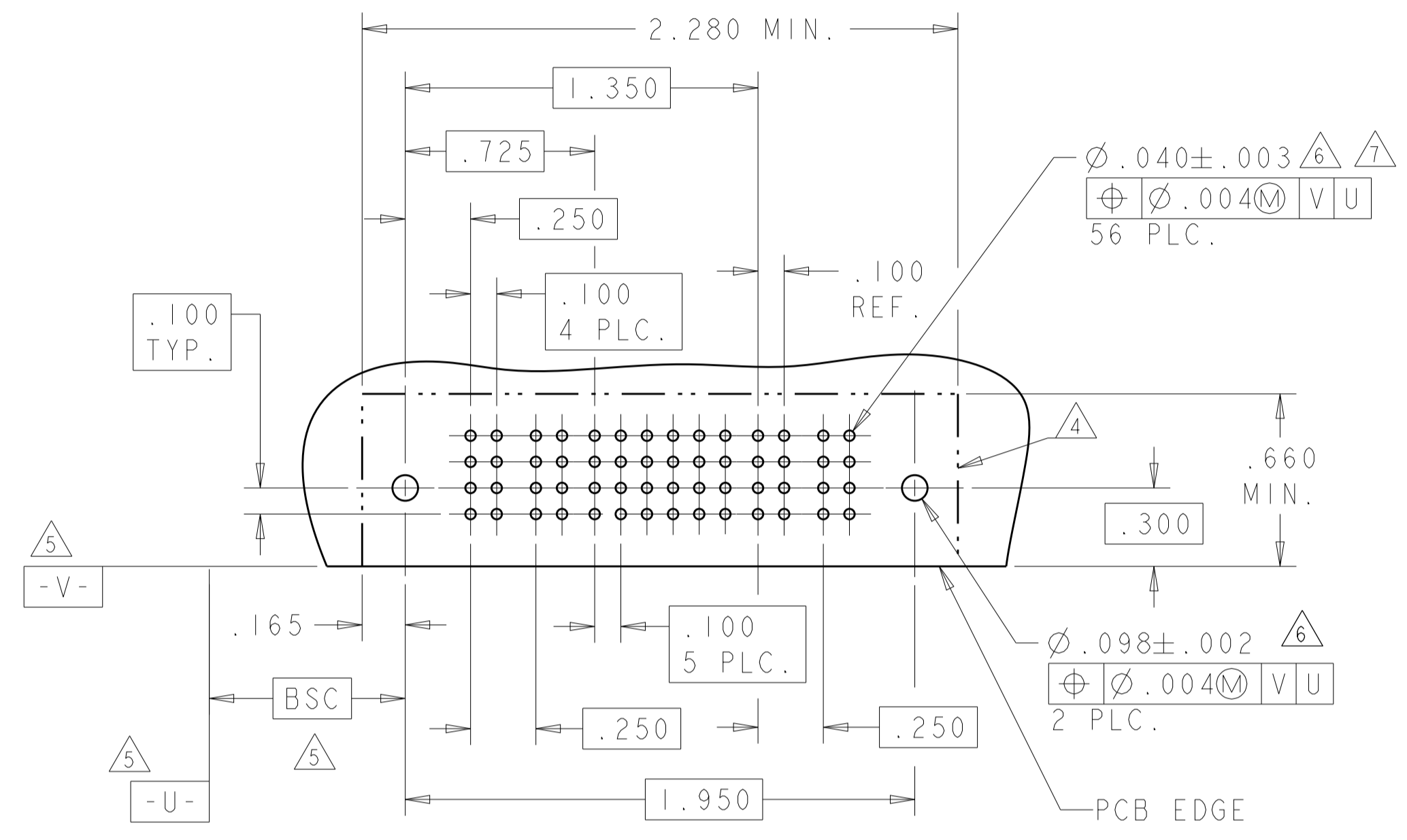


M2	1.700	.250	.250	1.300	.875	1.750	-	2.050	.450	2P+16S+2P	7-6450120-1
	2.700	.200	-	2.600	1.425	2.750	-	3.050	.450	5P + 44S + 1P	7-6450120-0
	1.100	-	-	1.000	.625	1.150	-	1.450	.450	1P+12S+1P	6-6450120-9
	1.000	-	-	.900	.625	1.050	-	1.350	.450	1P + 8S + 1P	6-6450120-8
	2.850	.300	.200	2.125	1.825	2.900	-	3.200	.450	7HDP + 8S + 3ACP	6-6450120-7
	2.650	.250	.200	1.550	.875	2.700	-	3.000	.450	2P + 24S + 6P	6-6450120-6
	2.300	.300	.250	1.950	1.275	2.350	-	2.650	.475	3ACP + 24S + 2P	6-6450120-5
	3.100	.250	.250	2.250	1.875	3.150	-	3.450	.450	6P + 12S + 4P	6-6450120-4
	2.400	.250	.250	1.800	1.125	2.450	-	2.750	.475	3P + 24S + 3P	6-6450120-1
	3.000	.300	.250	1.650	1.325	3.050	-	3.350	.475	3ACP + 8S + 6P	6-6450120-0
	1.900	.300	.250	1.550	1.275	1.950	-	2.250	.475	3ACP + 8S + 2P	5-6450120-9
	2.800	-	-	-	0.375	2.850	-	3.150	-	100S	5-6450120-8
	2.700	.250	.250	2.100	1.125	2.750	-	3.050	.450	3P + 36S + 3P	5-6450120-7
	1.100	-	-	1.000	.625	1.150	-	1.450	.450	1P + 12S + 1P	5-6450120-6
	3.250	.300	.250	2.525	2.175	3.300	-	3.600	.450	7P + 8S + 3ACP	5-6450120-5
	2.400	.250	.250	1.550	.875	2.450	-	2.750	.450	2P + 24S + 4P	5-6450120-3
	5.400	.300	.300	2.875	2.175	5.450	-	5.750	.475	6P + 24S + 9P	5-6450120-2
	3.800	.250	.300	1.875	1.375	3.850	-	4.150	.450	4P + 16S + 7ACP	5-6450120-0
	1.600	.250	.250	1.250	.875	1.650	-	1.950	.450	2P + 12S + 2P	4-6450120-9
	2.900	.250	.250	2.050	1.375	2.950	-	3.250	.450	4P + 24S + 4P	4-6450120-8
	1.900	.250	.250	1.550	0.875	1.950	-	2.250	.450	2P + 24S + 2P	4-6450120-7
	2.000	.250	.250	1.400	1.125	2.050	-	2.350	.450	3P + 8S + 3P	4-6450120-6
	2.900	.250	.250	3.550	2.875	5.950	-	6.250	.450	10P + 24S + 10P	4-6450120-5
	3.700	.200	.300	2.700	2.025	3.750	-	4.050	.450	8P + 24S + 4ACP	4-6450120-4
	2.900	.300	.250	2.050	1.575	2.950	-	3.250	.475	4ACP+16S+4P	4-6450120-3
	4.375	.250	.300	3.375	2.375	4.425	3.100	4.725	.450	8P + 24S + 1M + 4ACP	4-6450120-2
	4.100	.300	.250	2.250	1.575	4.150	-	4.450	.475	4ACP + 24S + 8P	4-6450120-0
	3.800	.250	.250	3.450	.875	3.850	-	4.150	.450	2P + 100S + 2P	3-6450120-6
	4.600	.250	.250	3.250	1.875	4.650	-	4.950	.450	6P + 52S + 6P	3-6450120-5
	5.100	.250	.250	3.500	2.175	5.150	-	5.450	.450	7P + 48S + 7P	3-6450120-4
	3.500	.250	.300	2.775	2.375	3.550	-	3.850	.450	8P + 12S + 3ACP	3-6450120-3
	4.000	.200	.200	2.700	1.825	4.050	-	4.350	.450	7HDP + 32S + 7HDP	3-6450120-0
	3.900	.250	.250	2.550	1.875	3.950	-	4.250	.450	6P + 24S + 6P	2-6450120-7
	5.200	.300	.250	2.350	1.625	5.250	-	5.550	.475	4ACP + 24S + 12P	2-6450120-6
	2.500	.250	.250	2.150	1.425	2.550	-	2.850	.450	4P + 24S + 2P	2-6450120-5
	3.600	.250	.250	2.500	1.625	3.650	-	3.950	.450	5P + 32S + 5P	2-6450120-4
	2.500	.250	.250	2.150	.875	2.550	-	2.850	.450	2P + 48S + 2P	2-6450120-3
	4.500	.300	.250	1.650	.975	4.550	-	4.850	.475	2ACP + 24S + 12P	2-6450120-2
	2.850	.250	.250	2.000	1.125	2.900	-	3.200	.450	3P + 32S + 4P	2-6450120-1
	3.950	.200	.250	2.125	1.025	4.000	-	4.300	.425	3P + 40S + 8P	2-6450120-0
	1.400	-	-	1.300	.625	1.450	-	1.750	.450	1P + 24S + 1P	1-6450120-6
	2.000	.300	.300	1.575	.975	2.050	-	2.350	.475	2P + 20S + 2P	1-6450120-4
	1.200	-	-	1.100	.625	1.250	-	1.550	.450	1P + 16S + 1P	1-6450120-3
	2.400	.250	.250	1.800	1.125	2.450	-	2.750	.450	3P + 24S + 3P	1-6450120-2
	2.675	.200	.200	2.375	1.650	2.725	-	3.025	.450	5P + 24S + 2P	1-6450120-1
	4.350	.250	.250	3.500	2.625	4.400	-	4.700	.450	9P + 32S + 4P	1-6450120-0
	4.150	.250	.250	2.800	2.125	4.200	-	4.500	.450	7P + 24S + 6P	6450120-9
	2.800	.250	.300	2.075	1.375	2.850	-	3.150	.450	4P + 24S + 3ACP	6450120-8
	3.050	.300	.250	1.950	1.275	3.100	-	3.400	.475	3ACP + 24S + 5P	6450120-7
	7.400	.250	.250	5.050	2.875	7.450	-	7.750	.450	10P + 84S + 10P	6450120-6
	4.350	.250	.250	3.000	2.125	4.400	-	4.700	.450	7P + 32S + 6P	6450120-5
	3.650	.250	.250	2.550	1.875	3.700	-	4.000	.450	6P + 24S + 5P	6450120-4
	2.900	.250	.250	1.800	1.125	2.950	-	3.250	.450	3P + 24S + 5P	6450120-3
	1.900	.250	.250	1.550	0.875	1.950	-	2.250	.450	2P + 24S + 2P	6450120-2
	5.100	.250	.250	3.250	2.375	5.150	-	5.450	.450	8P + 32S + 8P	6450120-1

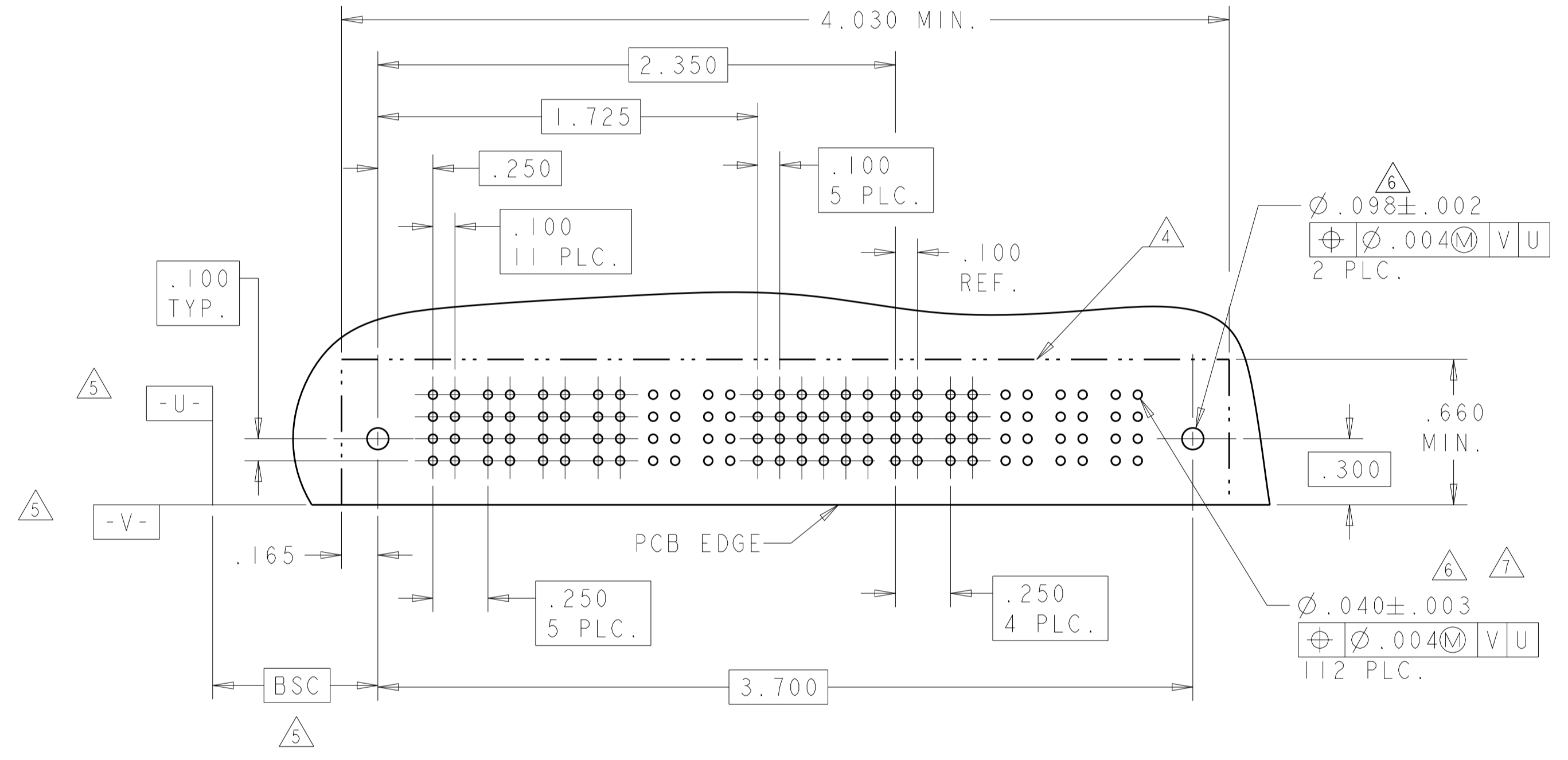
THIS DRAWING IS A CONTROLLED DOCUMENT.		OWN: R. GRZYBOWSKI 02FEB05 CHK: M. PERCHERKE 02FEB05		NAME: STC TE Connectivity	
DIMENSIONS: INCHES		TOLERANCES UNLESS OTHERWISE SPECIFIED: 0 PLC ±.01 1 PLC ±.01 2 PLC ±.01 3 PLC ±.005 4 PLC ±.0020 ANGLES ±.0020		PRODUCT SPEC: 108-1973 APPLICATION SPEC: 114-13038	
MATERIAL: .		FINISH: .		WEIGHT: .	
CUSTOMER DRAWING		SCALE: 4:1		SHEET 2 OF 24 REV: M2	

LOC	DIST	REV	DATE	BY	APPV
ES	00				

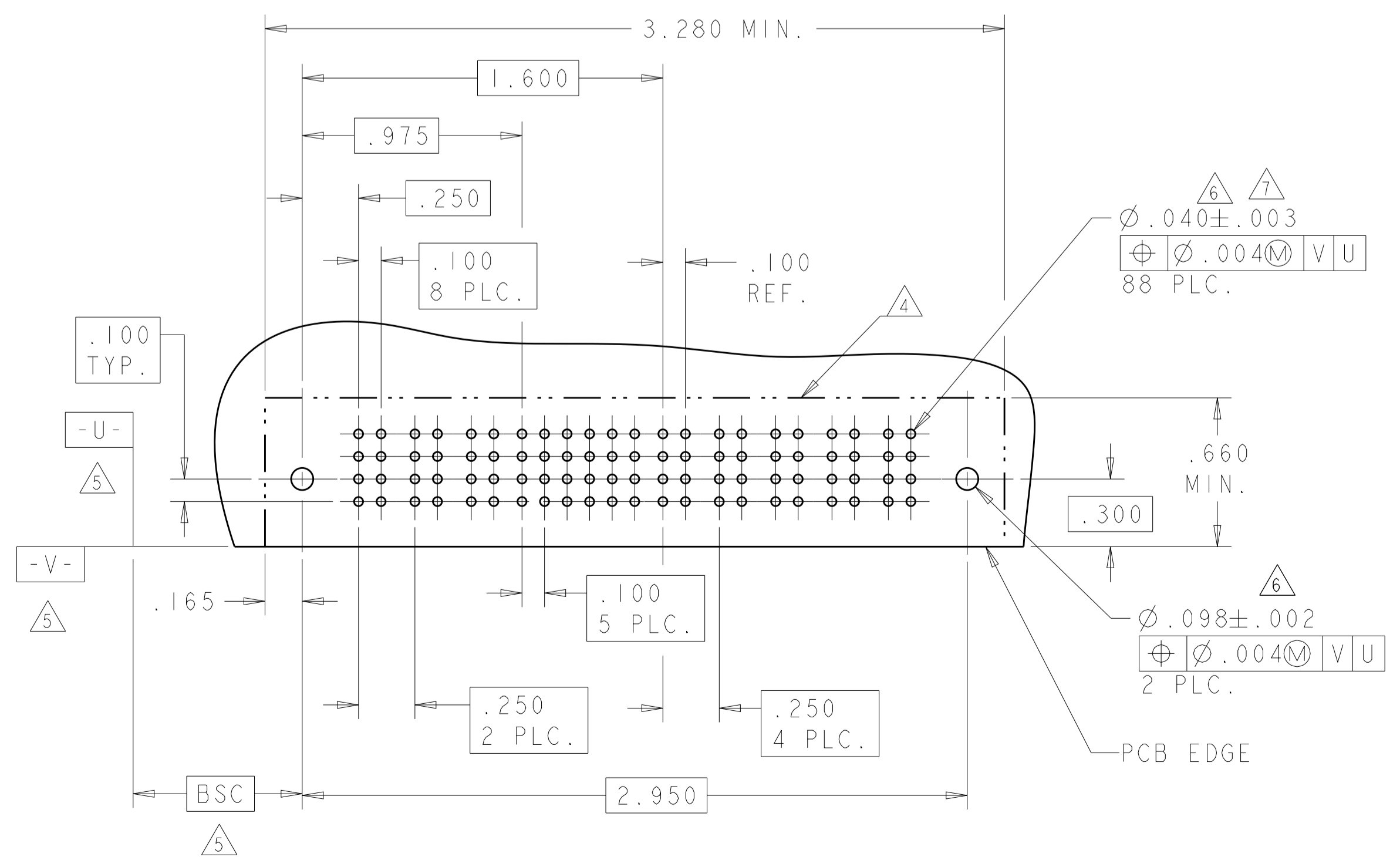
PART NUMBER	ROWS	POWER		SIGNAL						POWER			
		P1	P2	1	2	3	4	5	6	P3	P4		
6450120-2	D C B A	PM	PM	J	J	J	J	J	J	PM	PM	HD	HD
				K	K	K	K	K	K				
				N	N	N	N	N	N				
				S	S	S	S	S	S				
2P + 24S + 2P													



PART NUMBER	ROWS	POWER						SIGNAL						POWER							
		P1	P2	P3	P4	P5	P6	1	2	3	4	5	6	P7	P8	P9	P10	P11			
6450120-4	D C B A	PM	PM	PM	PM	PM	PM	J	J	J	J	J	J	PM	PM	PM	PM	PM	PM	PM	PM
								K	K	K	K	K	K								
								N	N	N	N	N	N								
								S	S	S	S	S	S								
6P + 24S + 5P																					



PART NUMBER	ROWS	POWER			SIGNAL						POWER					
		P1	P2	P3	1	2	3	4	5	6	P4	P5	P6	P7	P8	
6450120-3	D C B A	PM	PM	PM	J	J	J	J	J	J	PM	PM	PM	PM	PM	PM
					K	K	K	K	K	K						
					N	N	N	N	N	N						
					S	S	S	S	S	S						
3P + 24S + 5P																



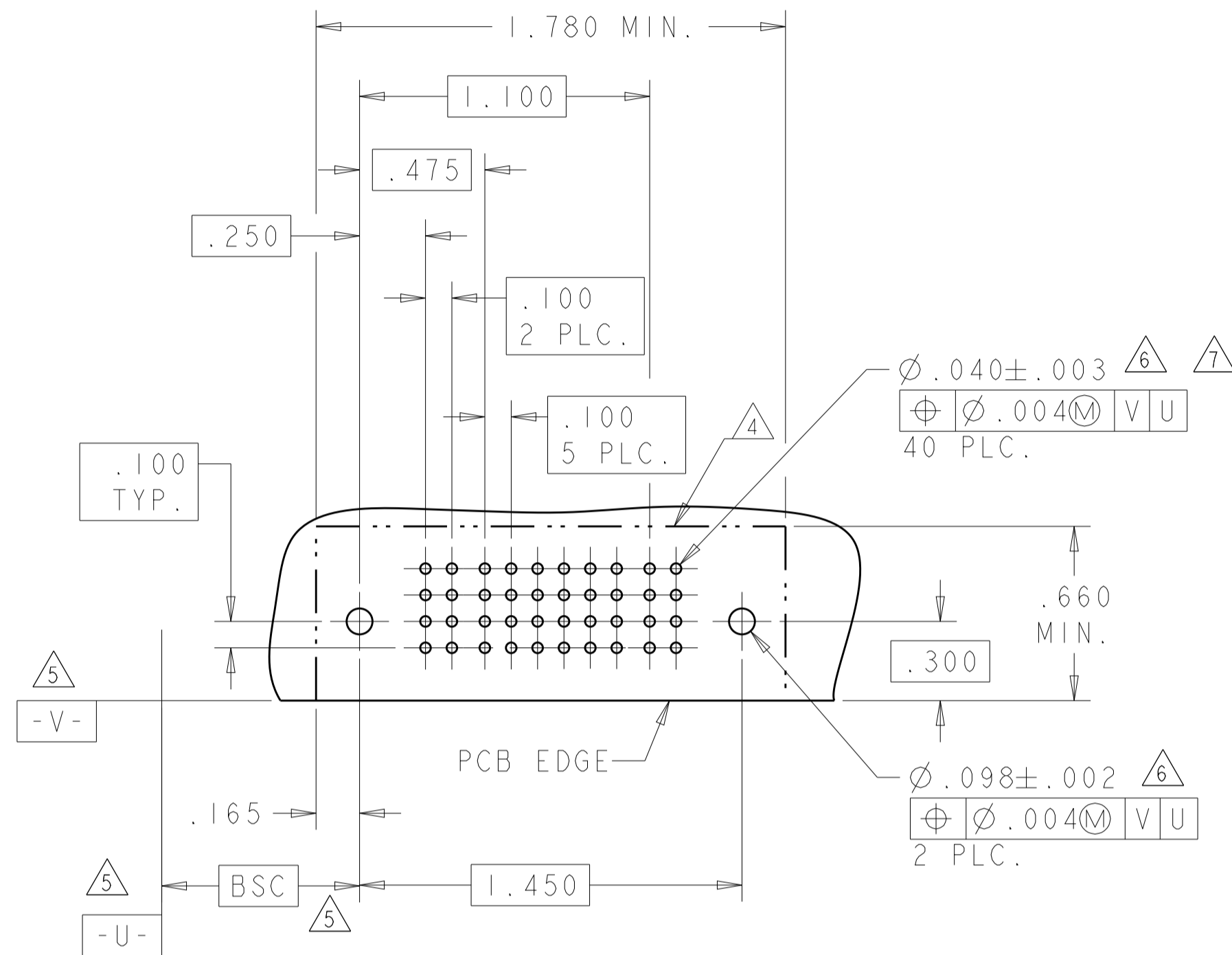
H	MLBF	.135	A
G	MLBF	.135	B
F	MLBF	.135	C
E	MLBF	.135	D
L4	STD	.165	D
L3	STD	.165	B
L2	STD	.165	C
L1	STD	.165	A
Z	STD	.090	D
Y	STD	.090	C
R	STD	.090	B
O	STD	.090	A
F	MLBF	.135	C
G	MLBF	.135	B
J	STD	.135	D
K	STD	.135	C
N	STD	.135	B
S	STD	.135	A
CODE	MATING SEQUENCE	TAIL LENGTH	ROW
SIGNAL CONTACT			

PD	.165
PA	.090
PM	.135
CODE	TAIL LENGTH
POWER CONTACT	

THIS DRAWING IS A CONTROLLED DOCUMENT. **STE** TE Connectivity

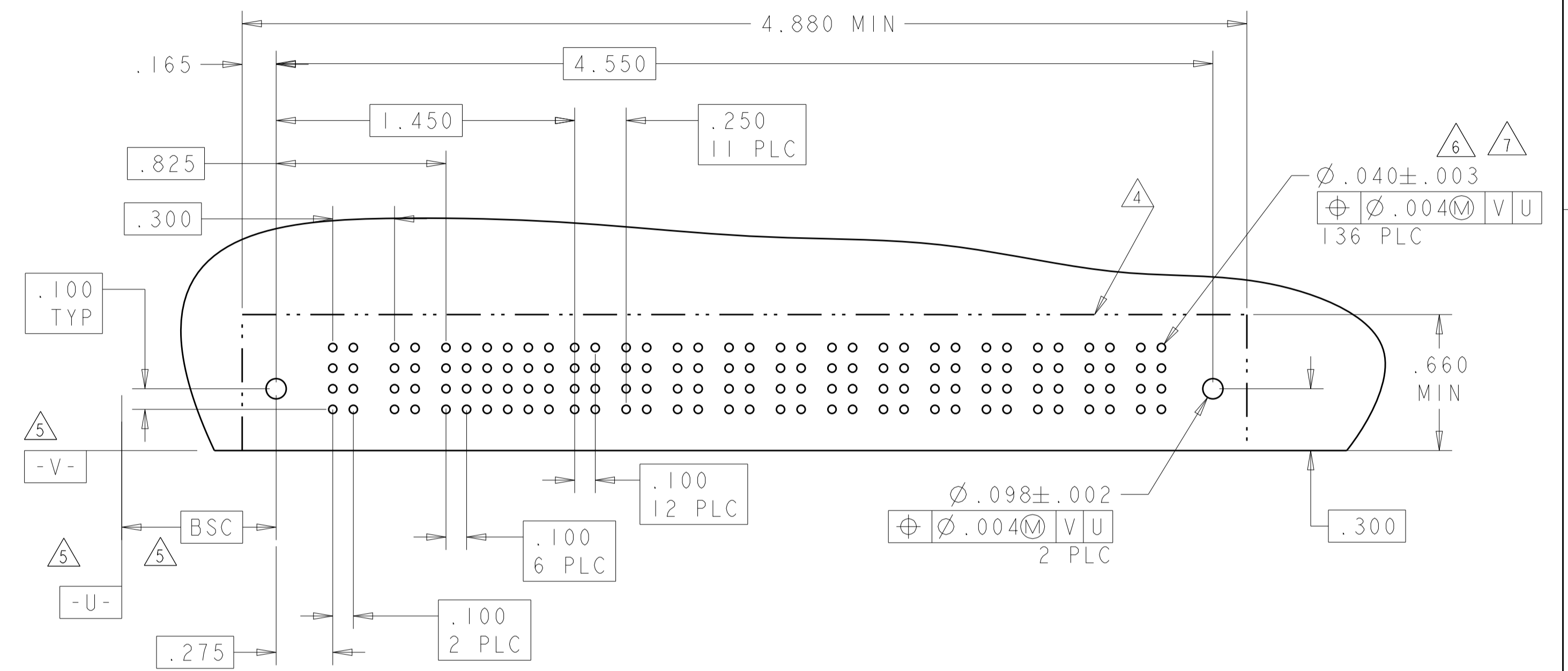
DIMENSIONS: INCHES	TOLERANCES UNLESS OTHERWISE SPECIFIED:	0 PLC ±.01	1 PLC ±.01	2 PLC ±.01	3 PLC ±.01	4 PLC ±.002	ANGLES ±.020
MATERIAL	FINISH	DWG: R. GRZYBOWSKI 02FEB05		CHK: M. PERCHERKE 02FEB05		APVD: M. PERCHERKE 02FEB05	
PRODUCT SPEC		108-1973		APPLICATION SPEC		114-13038	
CUSTOMER DRAWING		SCALE	4:1	SHEET	3	OF	24

PART NUMBER	ROWS	POWER		SIGNAL						POWER			
		P1	P2	1	2	3	4	5	6	P7	P8		
1-6450120-6	D	PA	PA	Z	Z	Z	Z	Z	Z	PA	PA	HD	HD
	C			Y	Y	Y	Y	Y	Y				
	B			R	R	R	R	R	R				
A	O	O	O	O	O	O							
IP + 24S + IP													

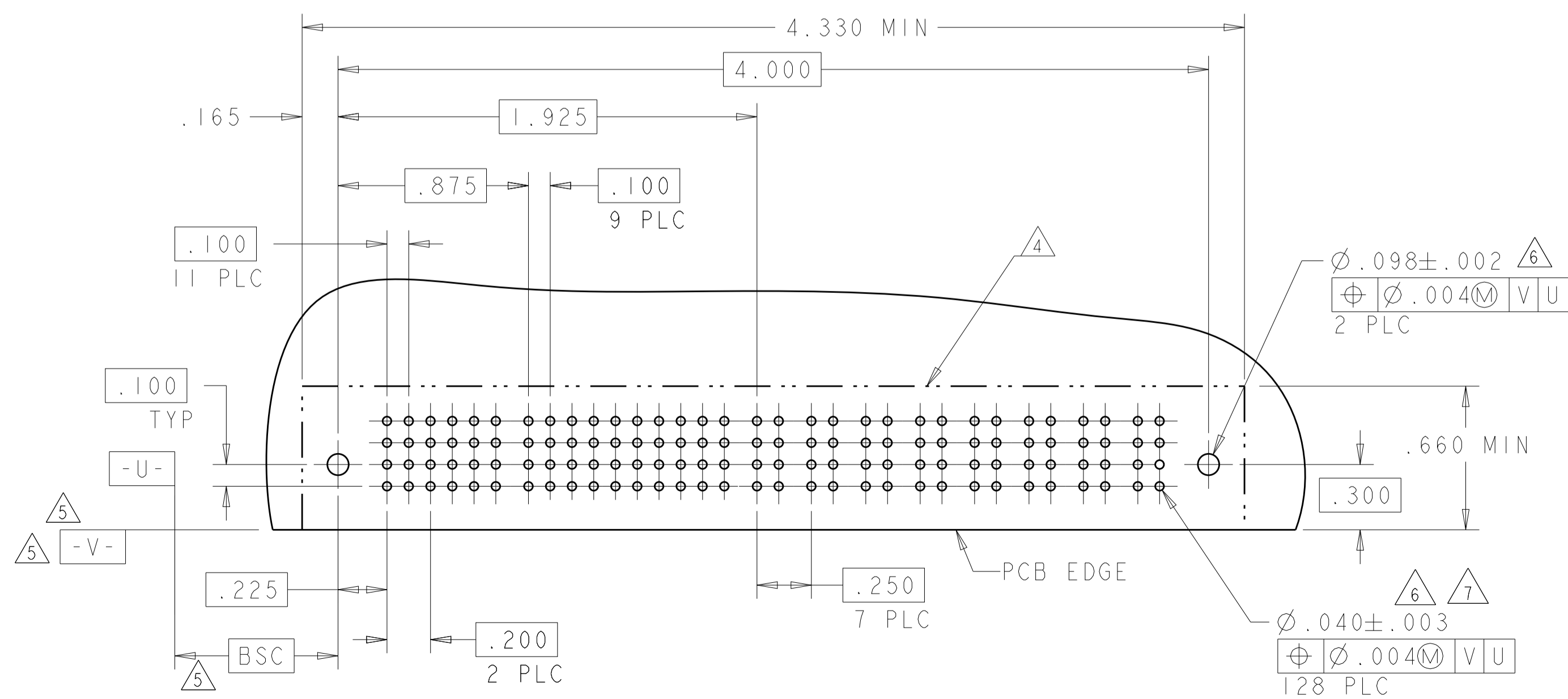


LOC	DIST	REV	DATE	APP'D
ES	00			

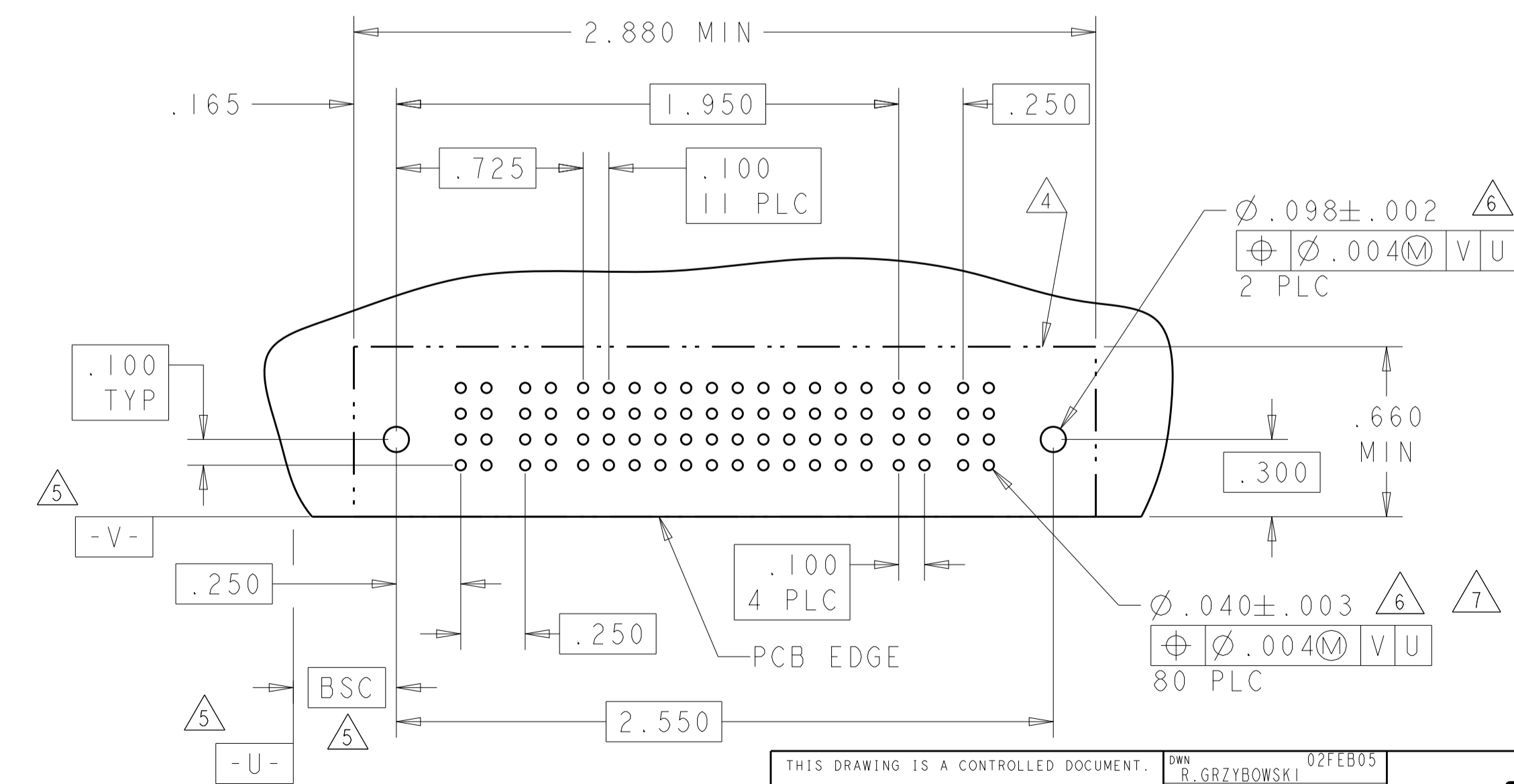
PART NUMBER	ROWS	POWER		SIGNAL						POWER														
		P1	P2	1	2	3	4	5	6	P3	P4	P5	P6	P7	P8	P9	P10	P11	P12	P13	P14			
2-6450120-2	D	PM	PM	J	J	J	J	J	J	PM	PM	PM	PM	PM	PM	PM	PM	PM	PM	PM	PM	PM	PM	PM
	C			K	K	K	K	K	K															
	B			N	N	N	N	N	N															
A	S	S	S	S	S	S																		
2ACP + 24S + 12P																								



PART NUMBER	ROWS	POWER			SIGNAL										POWER											
		P1	P2	P3	1	2	3	4	5	6	7	8	9	10	P4	P5	P6	P7	P8	P9	P10	P11				
2-6450120-0	D	PM	PM	PM	J	J	J	J	J	J	J	J	J	J	PM	PM	PM	PM	PM	PM	PM	PM	PM	PM	PM	PM
	C				K	K	K	K	K	K	K	K	K													
	B				N	N	N	N	N	N	N	N	N	N												
A	S	S	S	S	S	S	S	S	S																	
3P + 40S + 8P																										



PART NUMBER	ROWS	POWER		SIGNAL												POWER		
		P1	P2	1	2	3	4	5	6	7	8	9	10	11	12	P3	P4	
2-6450120-3	D	PM	PM	J	J	J	J	J	J	J	J	J	J	J	J	PM	PM	HD
	C			K	K	K	K	K	K	K	K	K	K	K				
	B			N	N	N	N	N	N	N	N	N	N	N				
A	S	S	S	S	S	S	S	S	S	S	S							
2P + 48S + 2P																		

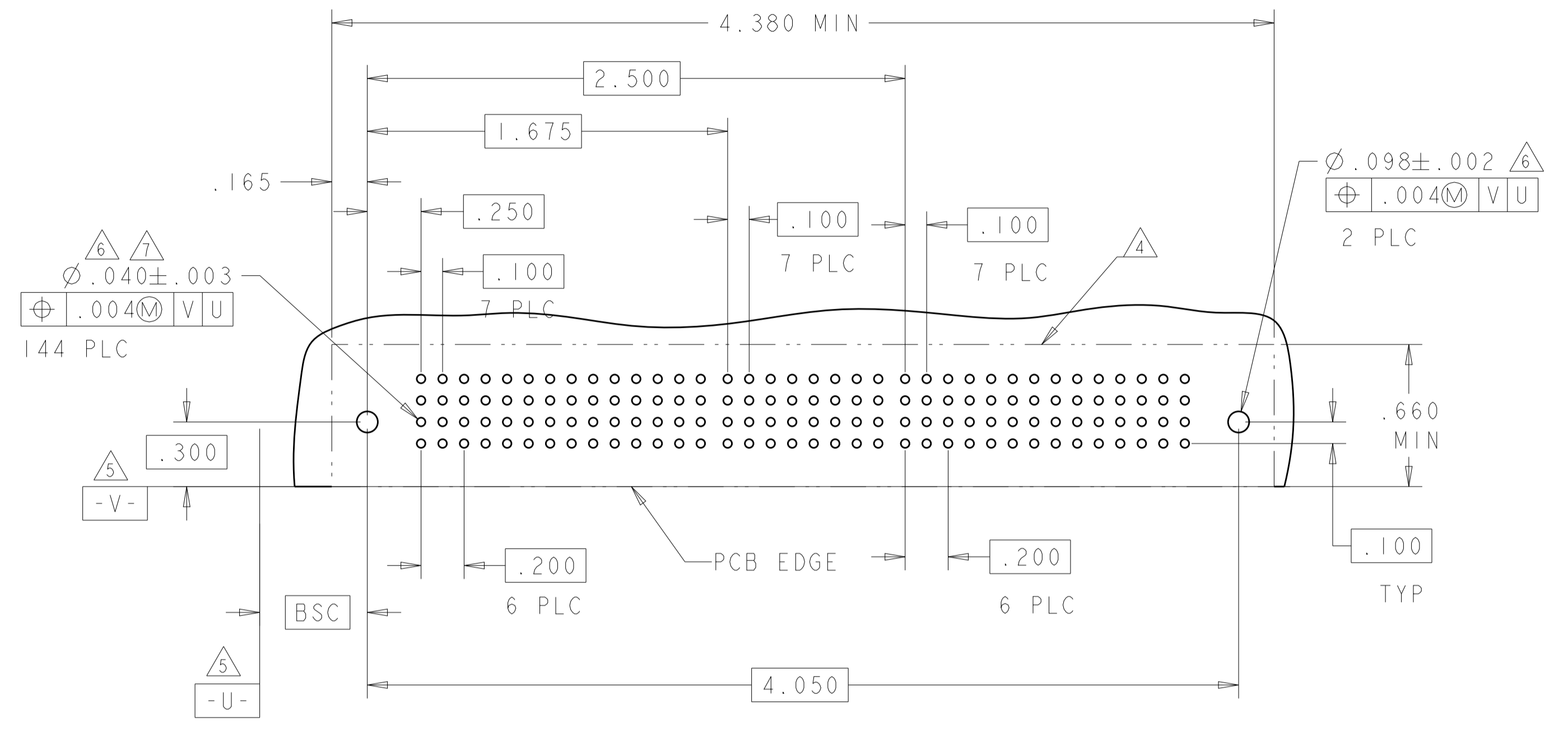


THIS DRAWING IS A CONTROLLED DOCUMENT.

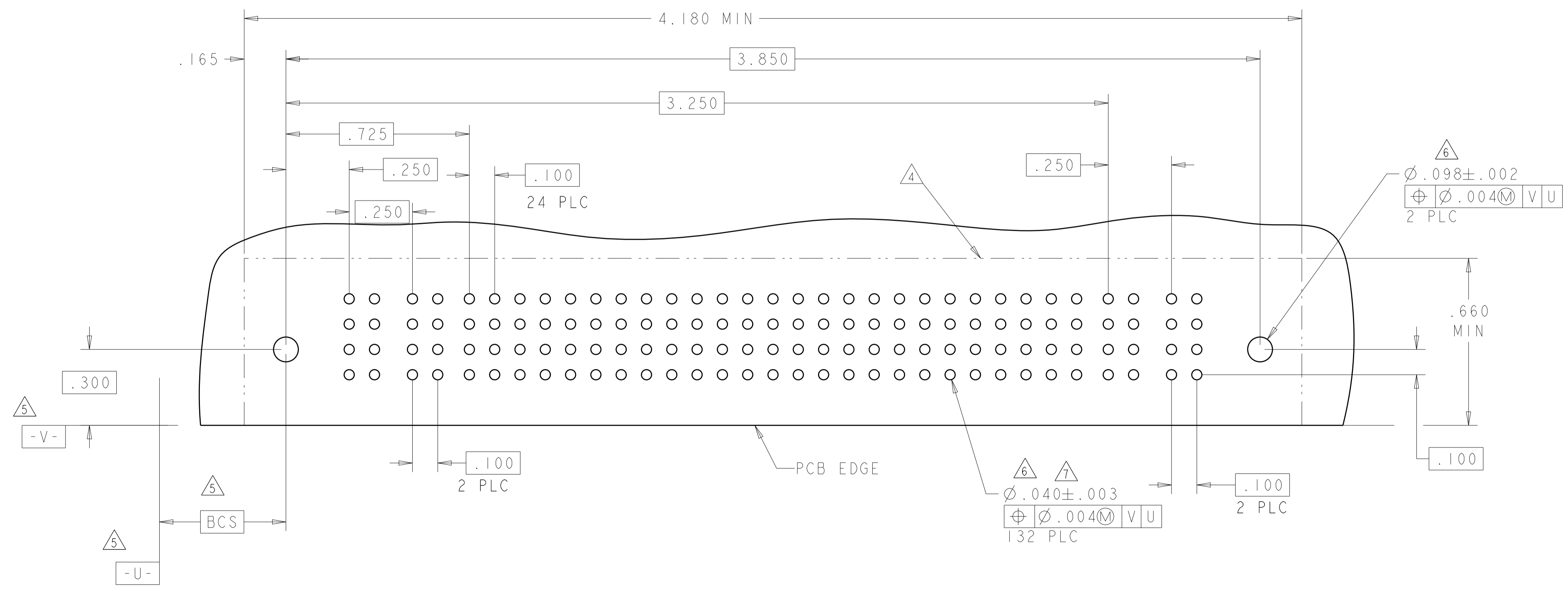
OWN: R. GRZYBOWSKI	02FEB05	 TE Connectivity
CHK: M. PERCHERKE	02FEB05	
APP'D: M. PERCHERKE	02FEB05	
NAME: RIGHT ANGLE HEADER W/GUIDES ASSEMBLY MULTI-BEAM XL		
DIMENSIONS: INCHES	TOLERANCES UNLESS OTHERWISE SPECIFIED:	PRODUCT SPEC: 108-1973 APPLICATION SPEC: 114-13038 WEIGHT: A100779 SCALE: 4:1
0 PLC ±. 1 PLC ±.01 2 PLC ±.01 3 PLC ±.005 4 PLC ±.002 ANGLES ±.020	FINISH:	SHEET 7 OF 24 REV M2

LOC	DIST	REVISIONS			
P	LTN	DESCRIPTION	DATE	DMN	APVD
ES	00	SEE SHEET 1			

PART NUMBER	ROWS	POWER						SIGNAL								POWER					
		P1	P2	P3	P4	P5	P6	P7	1	2	3	4	5	6	7	8	P8	P9	P10	P11	P12
3-6450120-0	D	PM	PM	PM	PM	PM	PM	J	J	J	J	J	J	J	J	PM	PM	PM	PM	PM	PM
	C							K	K	K	K	K	K	K							
	B							N	N	N	N	N	N	N							
A	A	S	S	S	S	S	S	S	S	S	S	S	S	S							
7HDP + 32S + 7HDP																					



PART NUMBER	ROWS	POWER		SIGNAL																							POWER				
		P1	P2	1	2	3	4	5	6	7	8	9	10	11	12	13	14	15	16	17	18	19	20	21	22	23	24	25	P3	P4	
3-6450120-6	D	PM	PM	J	J	J	J	J	J	J	J	J	J	J	J	J	J	J	J	J	J	J	J	J	J	J	J	J	J	PM	PM
	C			K	K	K	K	K	K	K	K	K	K	K	K	K	K	K	K	K	K	K	K	K	K	K	K	K	K		
	B			N	N	N	N	N	N	N	N	N	N	N	N	N	N	N	N	N	N	N	N	N	N	N	N	N	N		
A	A	S	S	S	S	S	S	S	S	S	S	S	S	S	S	S	S	S	S	S	S	S	S	S	S	S	S	S			
2P + 100S + 2P																															



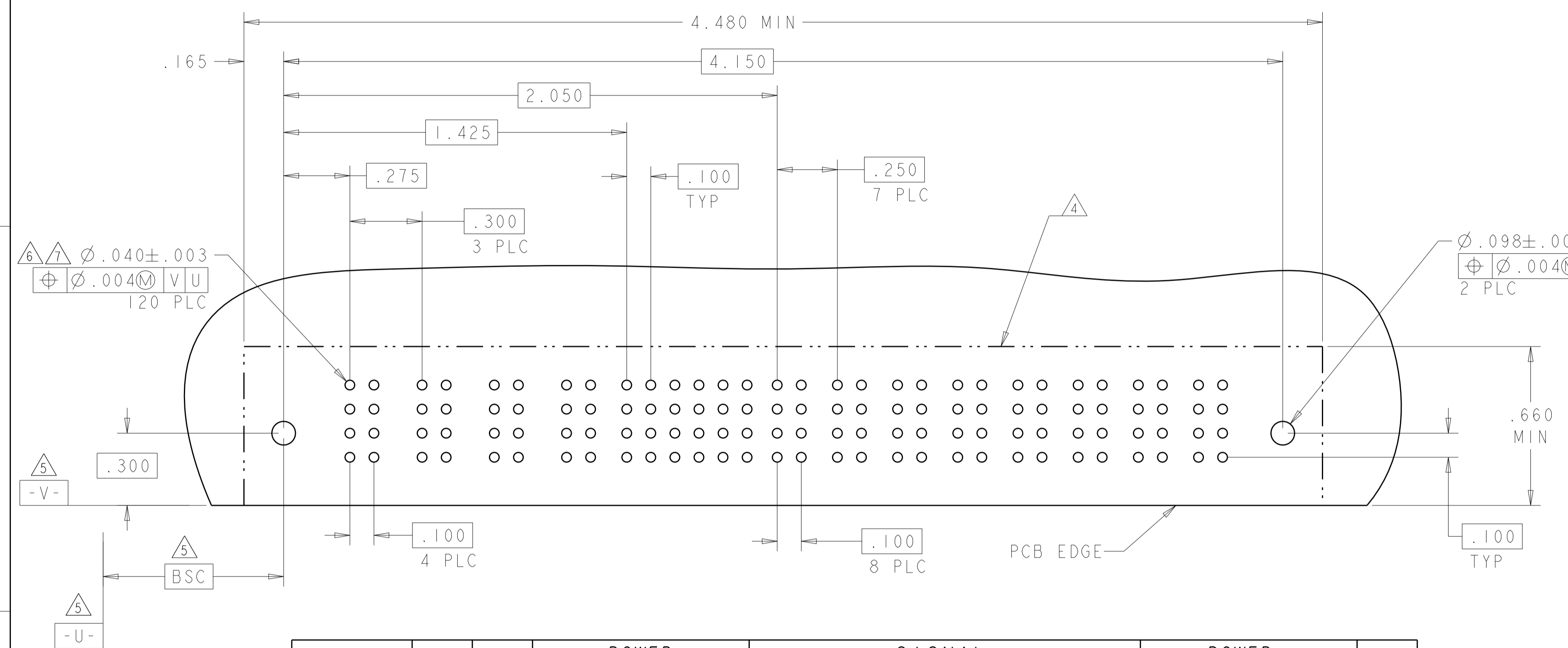
THIS DRAWING IS A CONTROLLED DOCUMENT.

DIMENSIONS: INCHES	TOLERANCES UNLESS OTHERWISE SPECIFIED:	DMN: R. GRZYBOWSKI 02FEB05	CHK: M. PERCHERKE 02FEB05	APVD: M. PERCHERKE 02FEB05	NAME: RIGHT ANGLE HEADER W/GUIDES ASSEMBLY MULTI-BEAM XL
0 PLC ±. 1 PLC ±.01 3 PLC ±.005 4 PLC ±.0020 ANGLES ±.02°		PRODUCT SPEC: 108-1973	APPLICATION SPEC: 114-13038	WEIGHT: -	RESTRICTED TO: -
MATERIAL: -	FINISH: -	CUSTOMER DRAWING		SCALE: 4:1	SHEET 9 OF 24

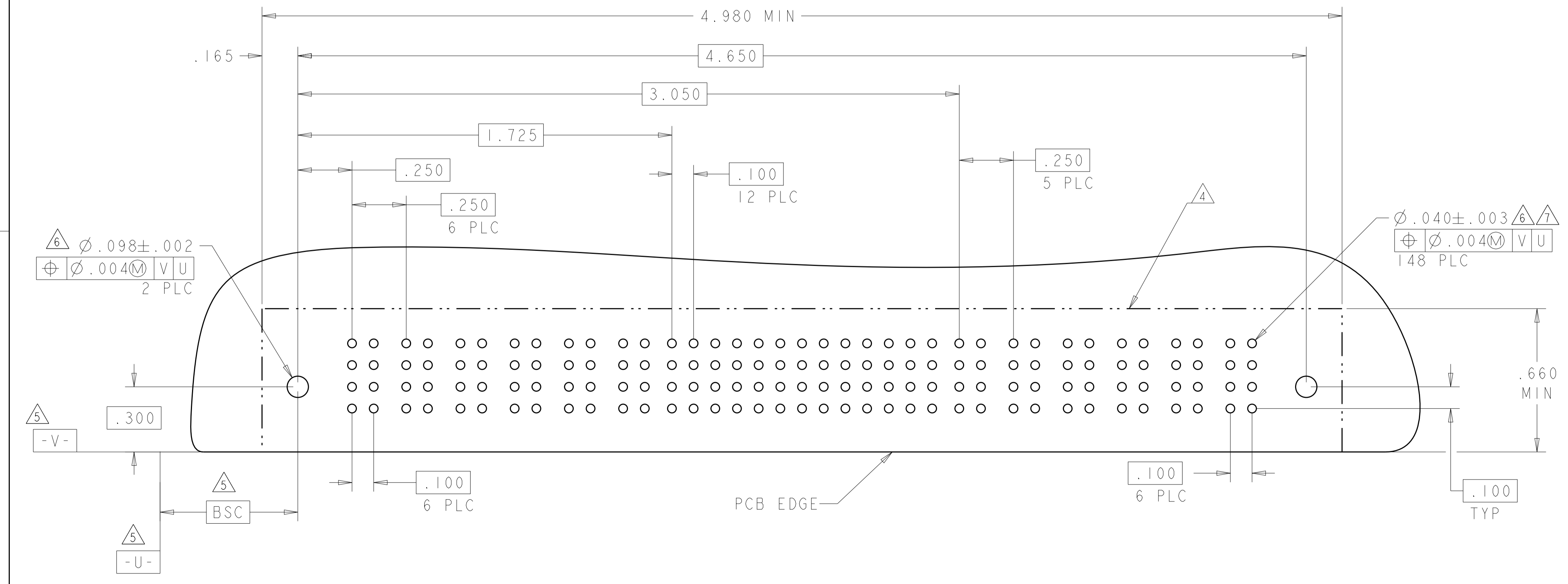
REV: M2

LOC	DIST	REVISIONS			
P	LTH	DESCRIPTION	DATE	DMN	APVD
ES	00	SEE SHEET 1			

PART NUMBER	ROWS	POWER				SIGNAL						POWER										
		P1	P2	P3	P4	1	2	3	4	5	6	P5	P6	P7	P8	P9	P10	P11	P12			
4-6450120-0	D C B A	PM	PM	PM	PM	J	J	J	J	J	J	PM	PM	PM	PM	PM	PM	PM	PM	PM	PM	PM
						K	K	K	K	K	K											
						N	N	N	N	N	N											
						S	S	S	S	S	S											
4ACP + 24S + 8P																						



PART NUMBER	ROWS	POWER						SIGNAL													POWER							
		P1	P2	P3	P4	P5	P6	1	2	3	4	5	6	7	8	9	10	11	12	13	P7	P8	P9	P10	P11	P12		
3-6450120-5	D C B A	PM	PM	PM	PM	PM	J	J	J	J	J	J	PM	PM	PM	PM	PM	PM	PM	PM	PM	PM	PM	PM	PM	PM	PM	PM
							K	K	K	K	K	K																
							N	N	N	N	N	N																
							S	S	S	S	S	S																
6P + 52S + 6P																												



THIS DRAWING IS A CONTROLLED DOCUMENT. DWG: R.GRZYBOWSKI 02FEB05
 CHK: M.PERCHEK 02FEB05
 APVD: M.PERCHEK 02FEB05

STE TE Connectivity

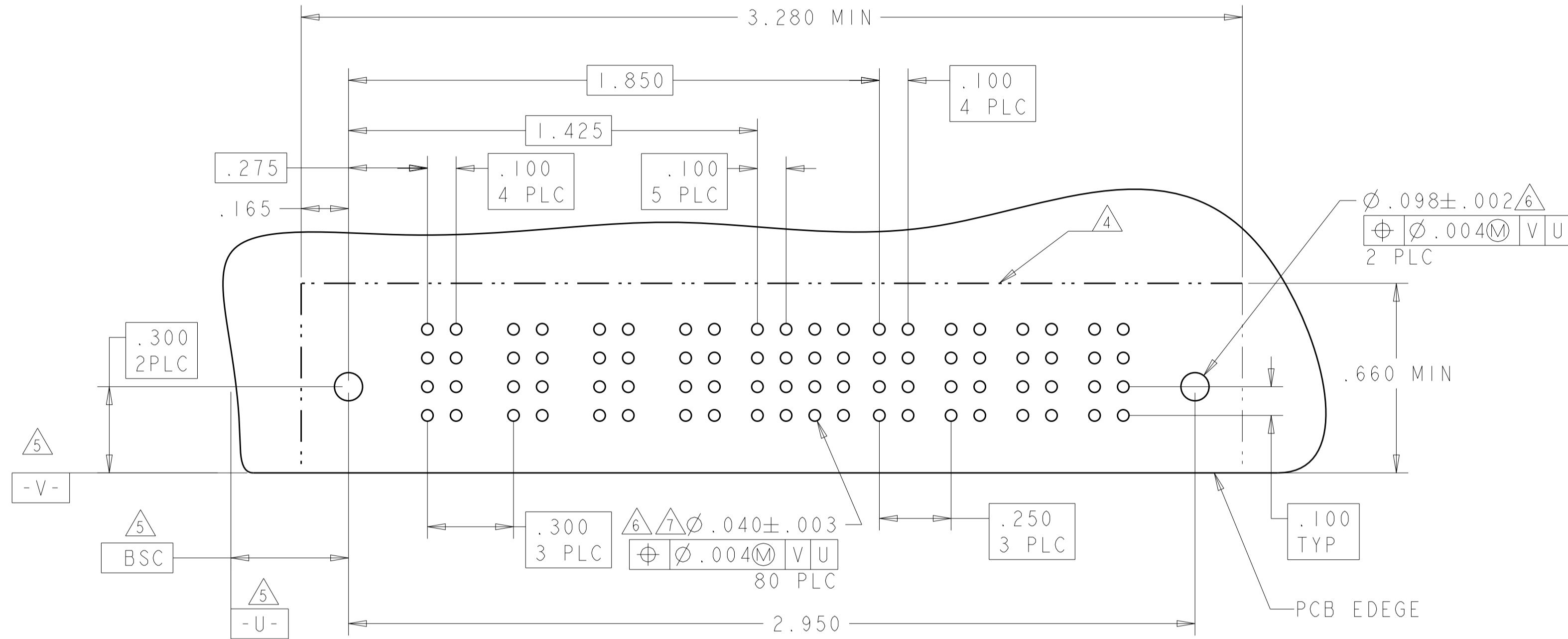
NAME: RIGHT ANGLE HEADER W/GUIDES ASSEMBLY MULTI-BEAM XL

PRODUCT SPEC: 108-1973
 APPLICATION SPEC: 114-13038
 WEIGHT: -
 CUSTOMER DRAWING

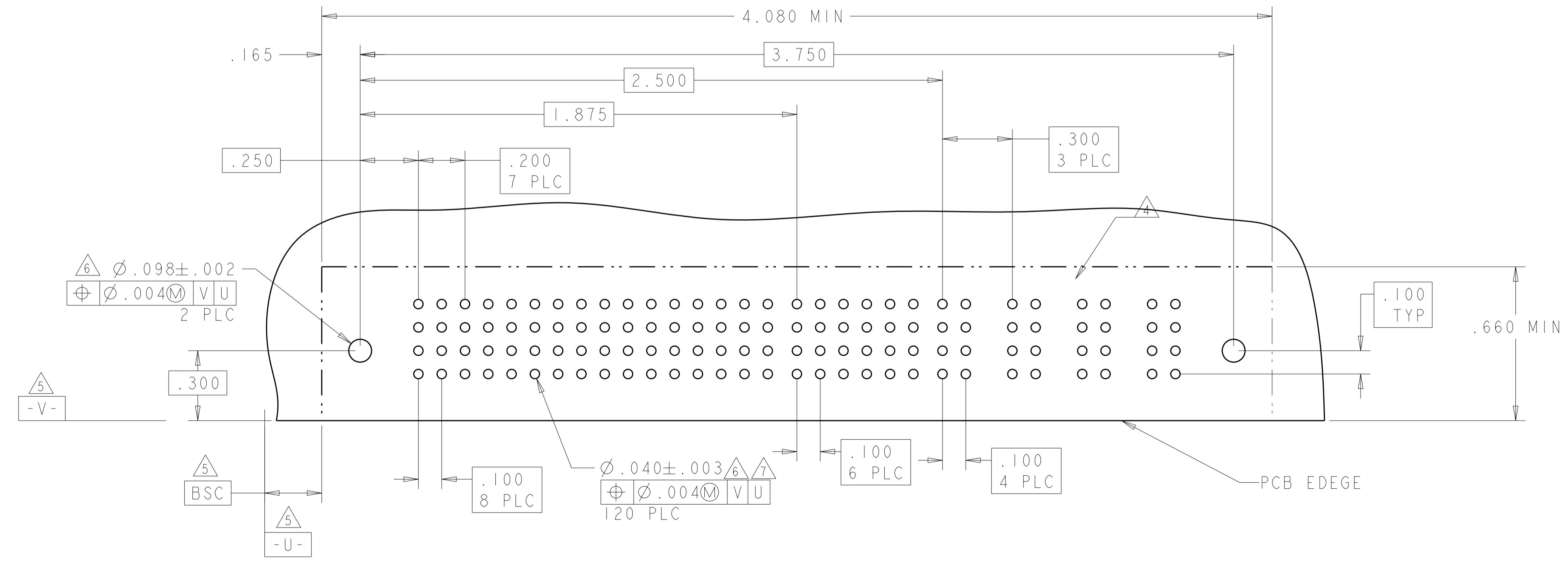
SCALE: 4:1 SHEET 10 OF 24 REV: M2

LOC	DIST	REVISIONS					
ES	00	P	LTN	DESCRIPTION	DATE	DWN	APVD
		-		SEE SHEET 1			

PART NUMBER	ROWS	POWER				SIGNAL				POWER			
		P1	P2	P3	P4	1	2	3	4	P5	P6	P7	P8
4-6450120-3	D C B A	PM	PM	PM	PM	J	J	J	J	PM	PM	PM	PM
						K	K	K	K				
						N	N	N	N				
						S	S	S	S				
4ACP + 16S + 4P													



PART NUMBER	ROWS	POWER								SIGNAL						POWER			
		P1	P2	P3	P4	P5	P6	P7	P8	1	2	3	4	5	6	P9	P10	P11	P12
4-6450120-4	D C B A	PM	PM	PM	PM	PM	PM	PM	PM	J	J	J	J	J	J	PM	PM	PM	PM
										K	K	K	K	K	K				
										N	N	N	N	N	N				
										S	S	S	S	S	S				
8P + 24S + 4ACP																			



THIS DRAWING IS A CONTROLLED DOCUMENT. DWN: R. GRZYBOWSKI 02FEB05
 CHK: M. PERCHERKE 02FEB05
 APVD: M. PERCHERKE 02FEB05

STE TE Connectivity

NAME: RIGHT ANGLE HEADER W/GUIDES ASSEMBLY MULTI-BEAM XL

PRODUCT SPEC: 108-1973
 APPLICATION SPEC: 114-13038

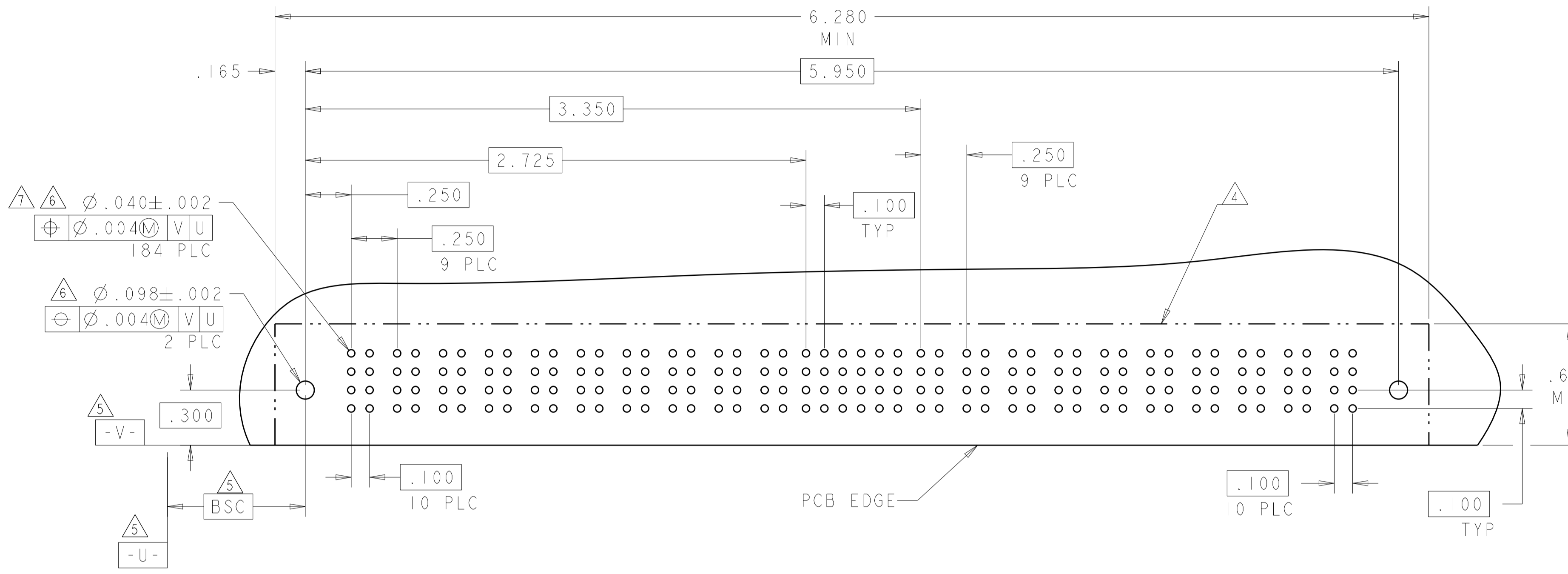
SIZE: A1 CAGE CODE: 6450120 DRAWING NO: 100779
 WEIGHT: -

MATERIAL: - FINISH: -

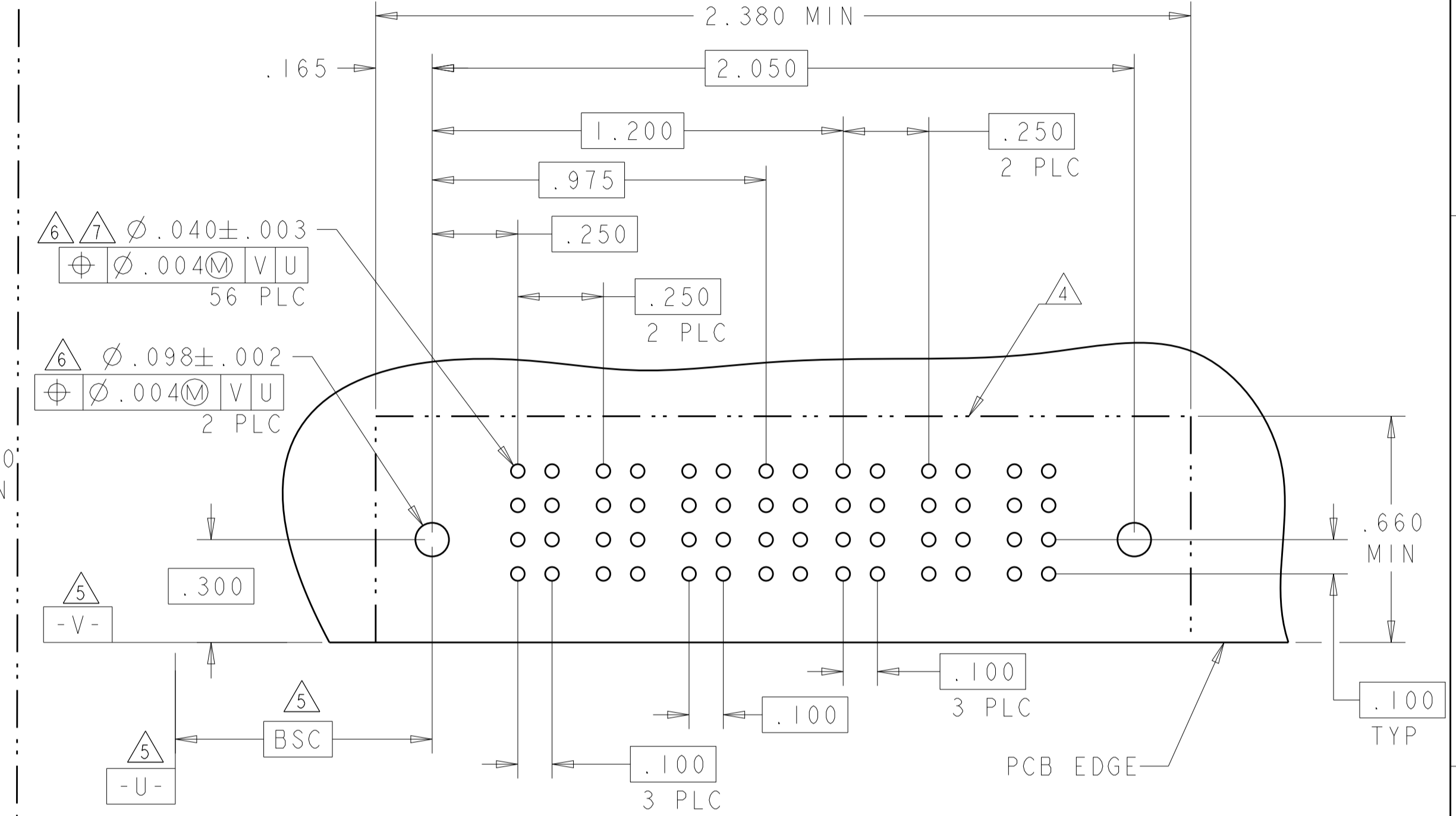
CUSTOMER DRAWING SCALE: 4:1 SHEET 12 OF 24 REV: M2

LOC	DIST	REVISIONS					
		P	LTN	DESCRIPTION	DATE	OWN	APVD
ES	00	-	-	SEE SHEET 1	-	-	-

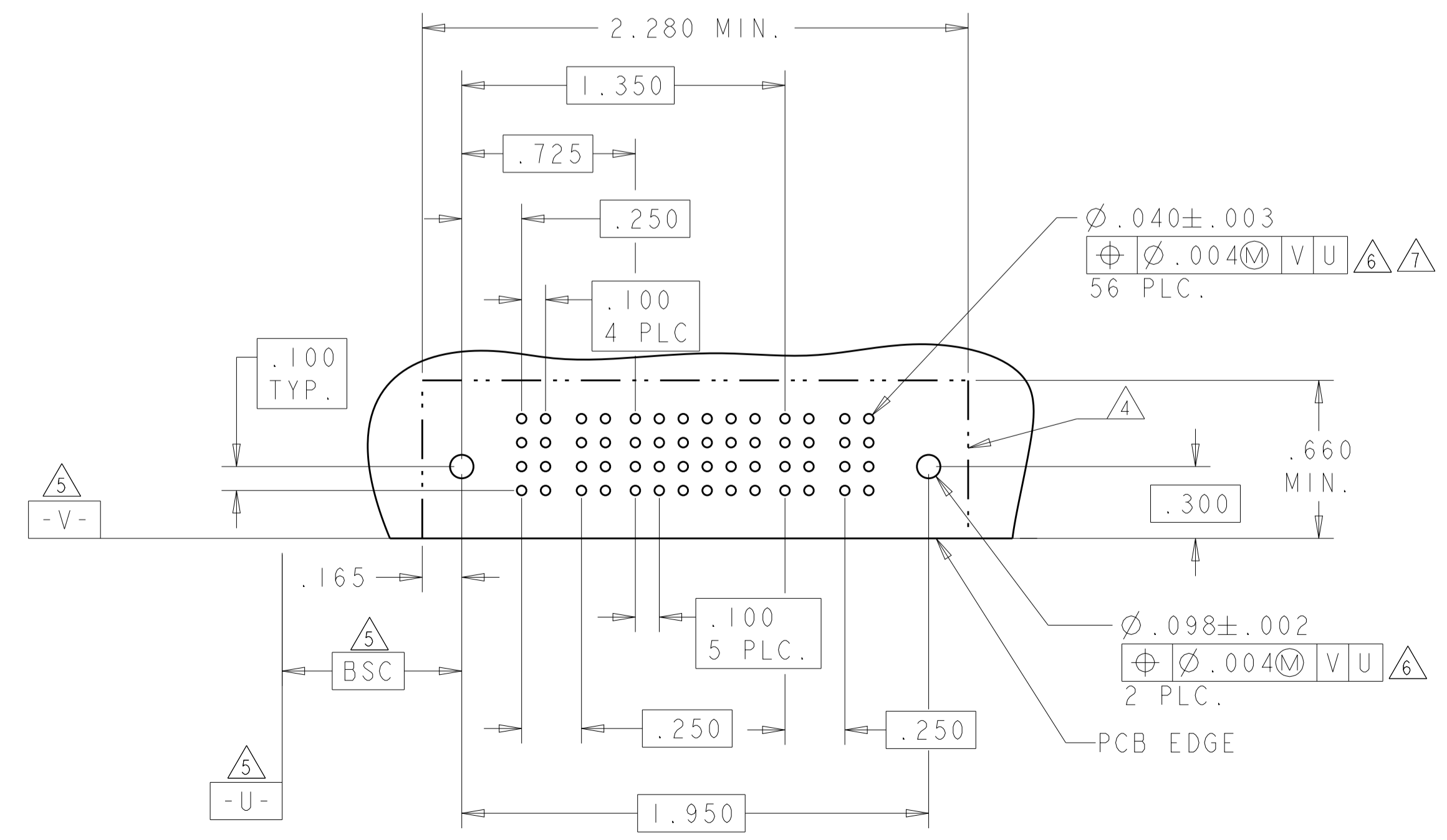
PART NUMBER	ROWS	POWER									SIGNAL						POWER										
		P1	P2	P3	P4	P5	P6	P7	P8	P9	P10	1	2	3	4	5	6	P11	P12	P13	P14	P15	P16	P17	P18	P19	P20
4-6450120-5	D C B A	PM	PM	PM	PM	PM	PM	PM	PM	PM	PM	J	J	J	J	J	J	PM	PM	PM	PM	PM	PM	PM	PM	PM	PM
												K	K	K	K	K	K										
												N	N	N	N	N	N										
										S	S	S	S	S	S												
10P + 24S + 10P																											



PART NUMBER	ROWS	POWER			SIGNAL		POWER			
		P1	P2	P3	1	2	P4	P5	P6	
4-6450120-6	D C B A	PM	PM	PM	J	J	PM	PM	PM	
					K	K				
					N	N				
			S	S						
3P + 8S + 3P										



PART NUMBER	ROWS	POWER		SIGNAL						POWER		
		P1	P2	1	2	3	4	5	6	P3	P4	
4-6450120-7	D C B A	PM	PM	J	J	J	J	J	J	PM	PM	
				K	K	F	K	K	K			
				N	N	G	N	N	N			
		S	S	S	S	S	S	S				
2P + 24S + 2P												



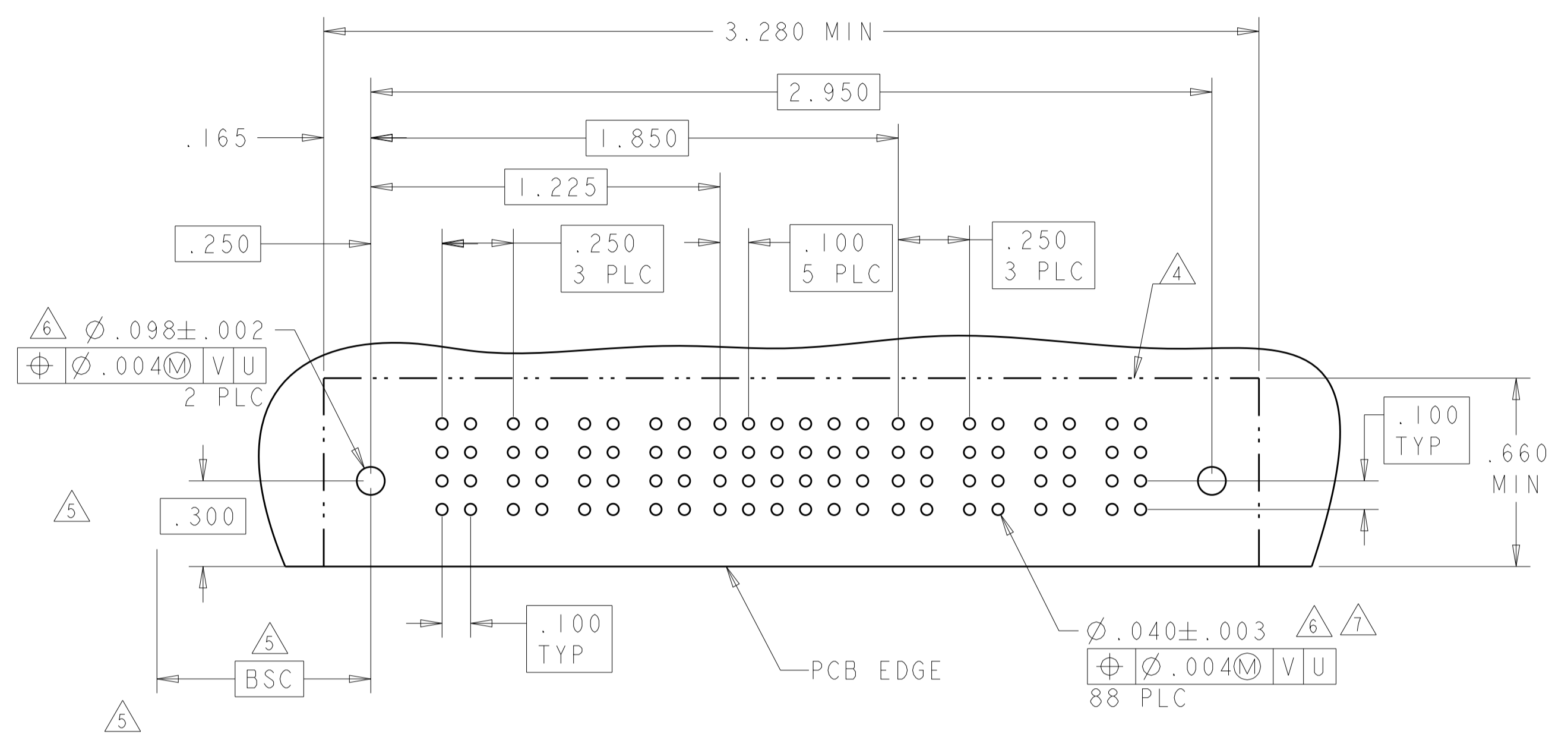
THIS DRAWING IS A CONTROLLED DOCUMENT.

DIMENSIONS:	TOLERANCES UNLESS OTHERWISE SPECIFIED:	OWN: R. GRZYBOWSKI 02FEB05	CHK: M. PERCHERKE 02FEB05	APVD: M. PERCHERKE 02FEB05	NAME: RIGHT ANGLE HEADER W/GUIDES ASSEMBLY MULTI-BEAM XL
INCHES	0 PLC ± .01 1 PLC ± .01 2 PLC ± .01 3 PLC ± .01 4 PLC ± .005 ANGLES ± .002	PRODUCT SPEC: 108-1973	APPLICATION SPEC: 114-13038	WEIGHT: -	RESTRICTED TO: -
MATERIAL: -	FINISH: -	SIZE: A1	CAGE CODE: 100779	DRAWING NO: C=6450120	SHEET 13 OF 24
CUSTOMER DRAWING				SCALE: 4:1	REV: M2

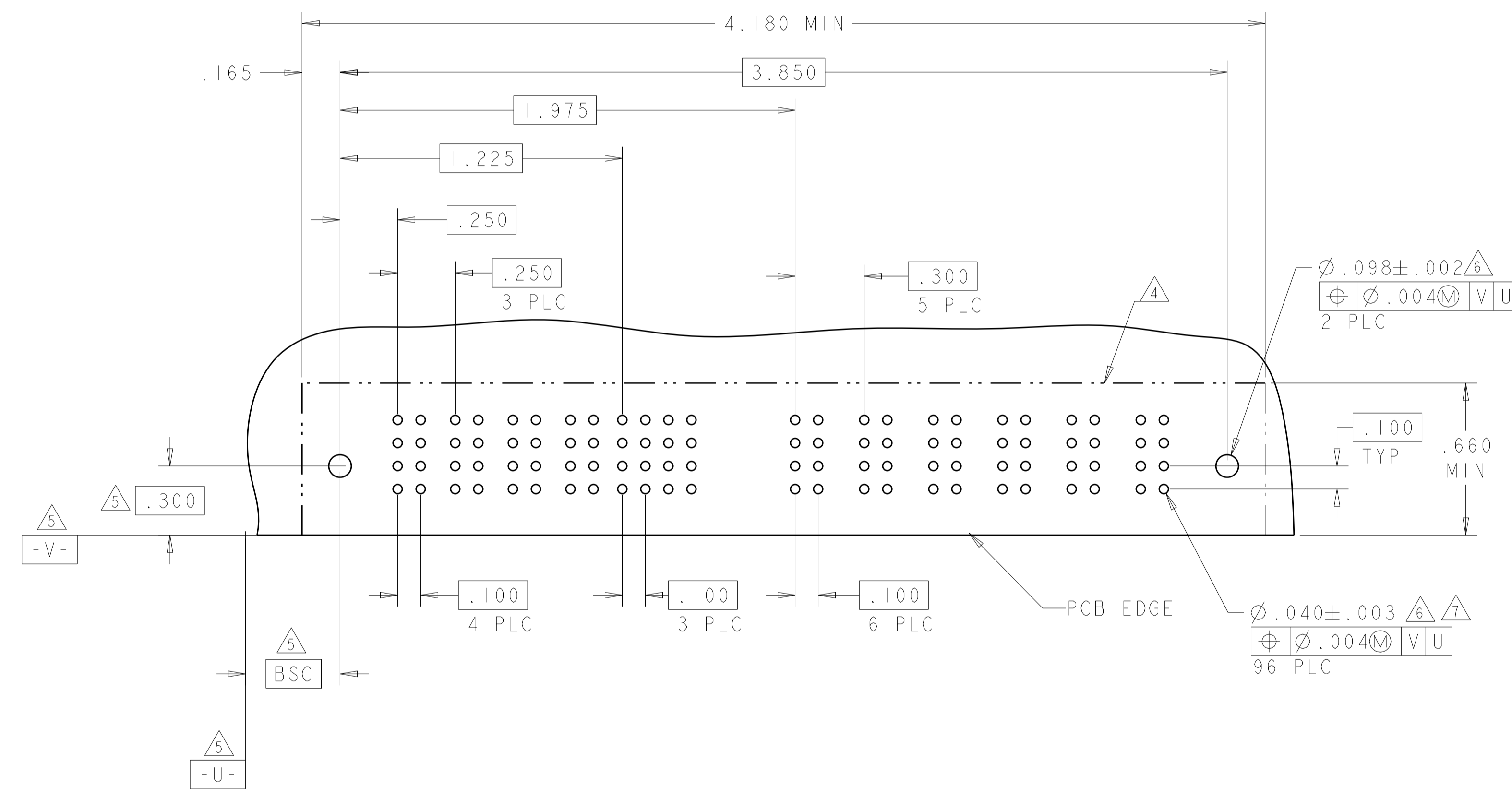
STE TE Connectivity

LOC	DIST	REVISIONS			
P	LTN	DESCRIPTION	DATE	DMN	APVD
ES	00	SEE SHEET 1	-	-	-

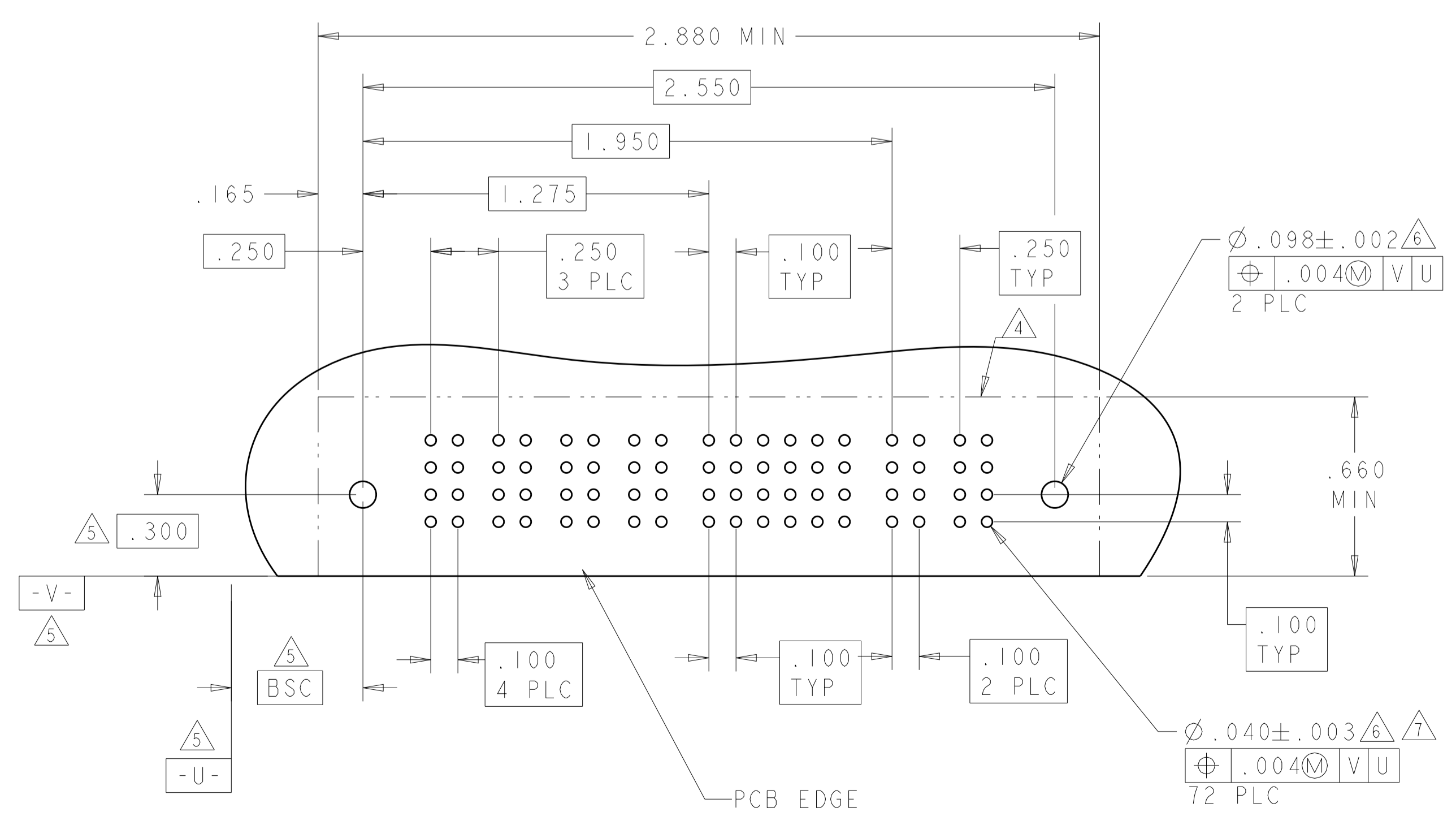
PART NUMBER	ROWS	POWER				SIGNAL						POWER			
		P1	P2	P3	P4	1	2	3	4	5	6	P5	P6	P7	P8
4-6450120-8	D	PM	PM	PM	PM	J	J	J	J	J	J	PM	PM	PM	PM
	C					K	K	K	K	K	K				
	B					N	N	N	N	N	N				
	A					S	S	S	S	S	S				
4P + 24S + 4P															



PART NUMBER	ROWS	POWER				SIGNAL				POWER						
		P1	P2	P3	P4	1	2	3	4	P5	P6	P7	P8	P9	P10	P11
5-6450120-0	D	PM	PM	PM	PM	J	J	J	J	PM	PM	PM	PM	PM	PM	PM
	C					K	K	K	K							
	B					N	N	N	N							
	A					S	S	S	S							
4P + 16S + 7ACP																



PART NUMBER	ROWS	POWER				SIGNAL						POWER			
		P1	P2	P3	P4	1	2	3	4	5	6	P5	P6		
2-6450120-5	D	PM	PM	PM	PM	J	J	J	J	J	J	PM	PM		
	C					K	K	K	K	K	K				
	B					N	N	N	N	N	N				
	A					S	S	S	S	S	S				
4P + 24S + 2P															



THIS DRAWING IS A CONTROLLED DOCUMENT.

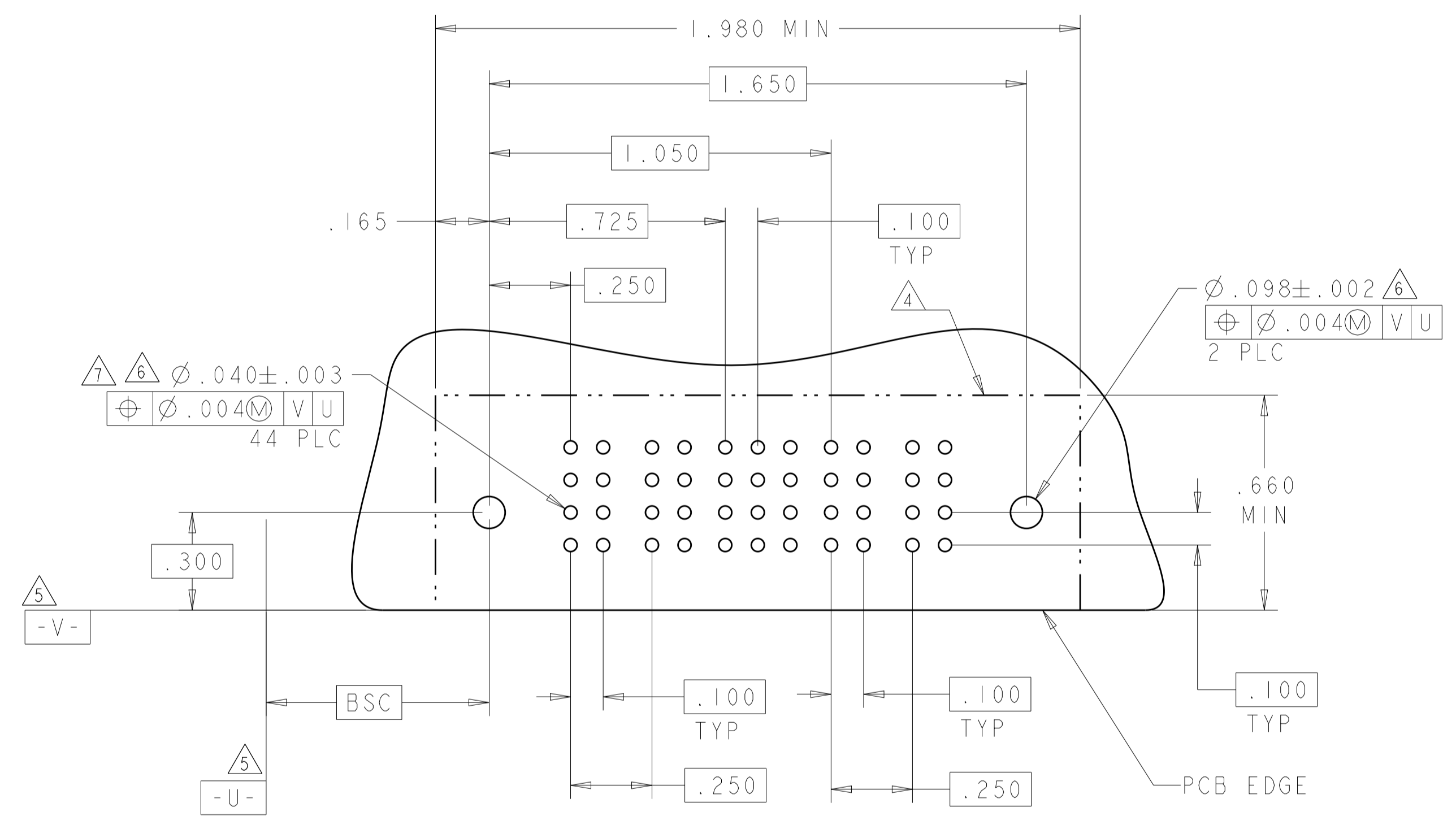
DMN: R. GRZYBOWSKI 02FEB05	CHK: M. PERCHERKE 02FEB05	APVD: M. PERCHERKE 02FEB05	NAME: RIGHT ANGLE HEADER W/GUIDES ASSEMBLY MULTI-BEAM XL
DIMENSIONS: INCHES		TOLERANCES UNLESS OTHERWISE SPECIFIED:	
0 PLC ±.01		1 PLC ±.01	
2 PLC ±.01		3 PLC ±.005	
3 PLC ±.005		4 PLC ±.0020	
4 PLC ±.0020		ANGLES ±.020	
FINISH		MATERIAL	

STE TE Connectivity

SCALE: 4:1 SHEET 14 OF 24 REV: M2

LOC		DIST		REVISIONS			
ES	00	P	LTN	DESCRIPTION	DATE	DWN	APVD
		-		SEE SHEET 1			

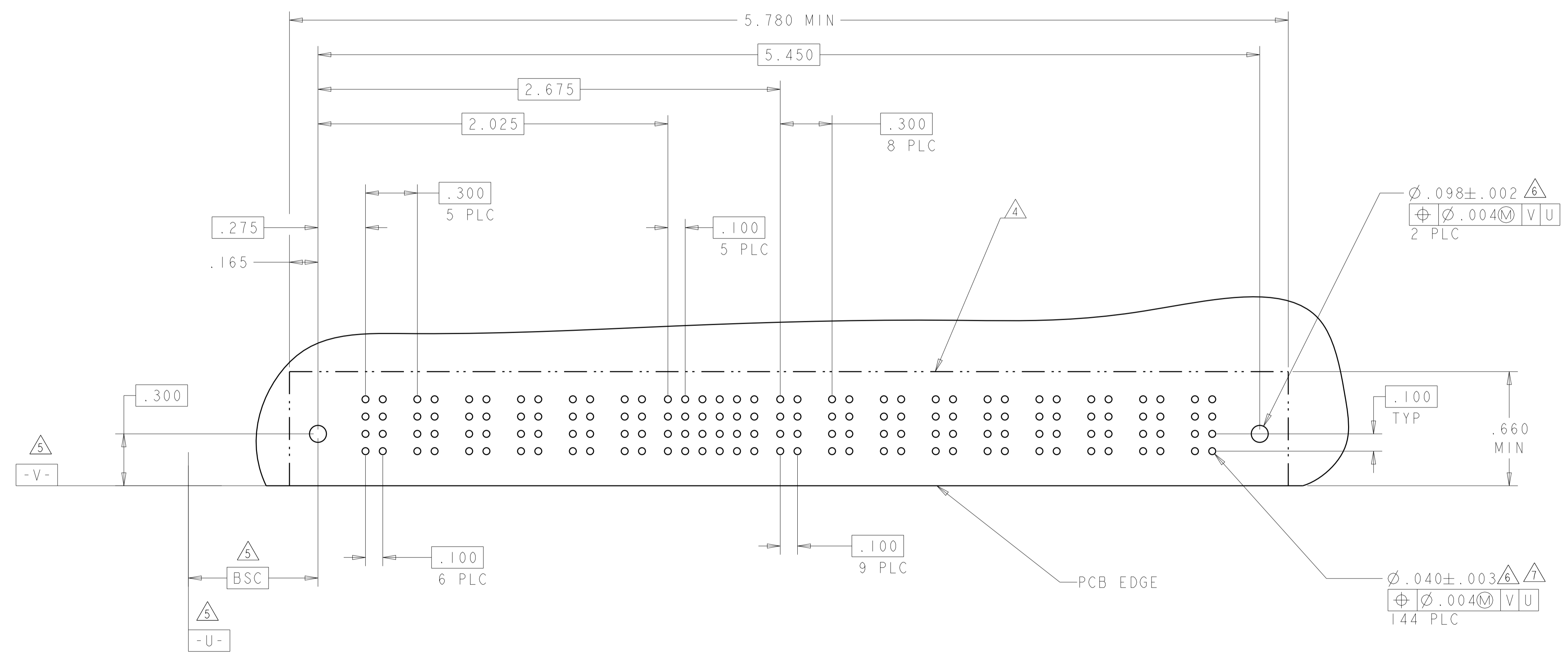
PART NUMBER	ROWS	POWER		SIGNAL			POWER	
		P1	P2	1	2	3	P3	P4
4-6450120-9	D			J	J	J		
	C			K	K	K		
	B			N	N	N		
	A			S	S	S		
2P + 12S + 2P								



THIS DRAWING IS A CONTROLLED DOCUMENT.		DWN R. GRZYBOWSKI 02FEB05	TE Connectivity	
DIMENSIONS: INCHES		CHK M. PERCHERKE 02FEB05		
TOLERANCES UNLESS OTHERWISE SPECIFIED:		APVD M. PERCHERKE 02FEB05	NAME RIGHT ANGLE HEADER W/GUIDES ASSEMBLY MULTI-BEAM XL	
0 PLC ±. 1 PLC ±. 2 PLC ±.01 3 PLC ±.005 4 PLC ±.0020 ANGLES ±.2°		PRODUCT SPEC 108-1973	SIZE A100779C=6450120	
MATERIAL		APPLICATION SPEC 114-13038	RESTRICTED TO	
FINISH		WEIGHT	SCALE 4:1 SHEET 15 OF 24 REV M2	
		CUSTOMER DRAWING		

LOC		DIST		REVISIONS			
P	LTN	DESCRIPTION	DATE	DMN	APVD		
-	-	SEE SHEET 1	-	-	-		

PART NUMBER	ROWS	POWER						SIGNAL						POWER																												
		P1	P2	P3	P4	P5	P6	1	2	3	4	5	6	P7	P8	P9	P10	P11	P12	P13	P14	P15																				
5-6450120-2	D							J	J		J	E																														
	C							K	K		K	K																														
	B							N	N		N	N																														
	A							S	S		S	H																														
6P + 24S + 9P																																										



THIS DRAWING IS A CONTROLLED DOCUMENT.

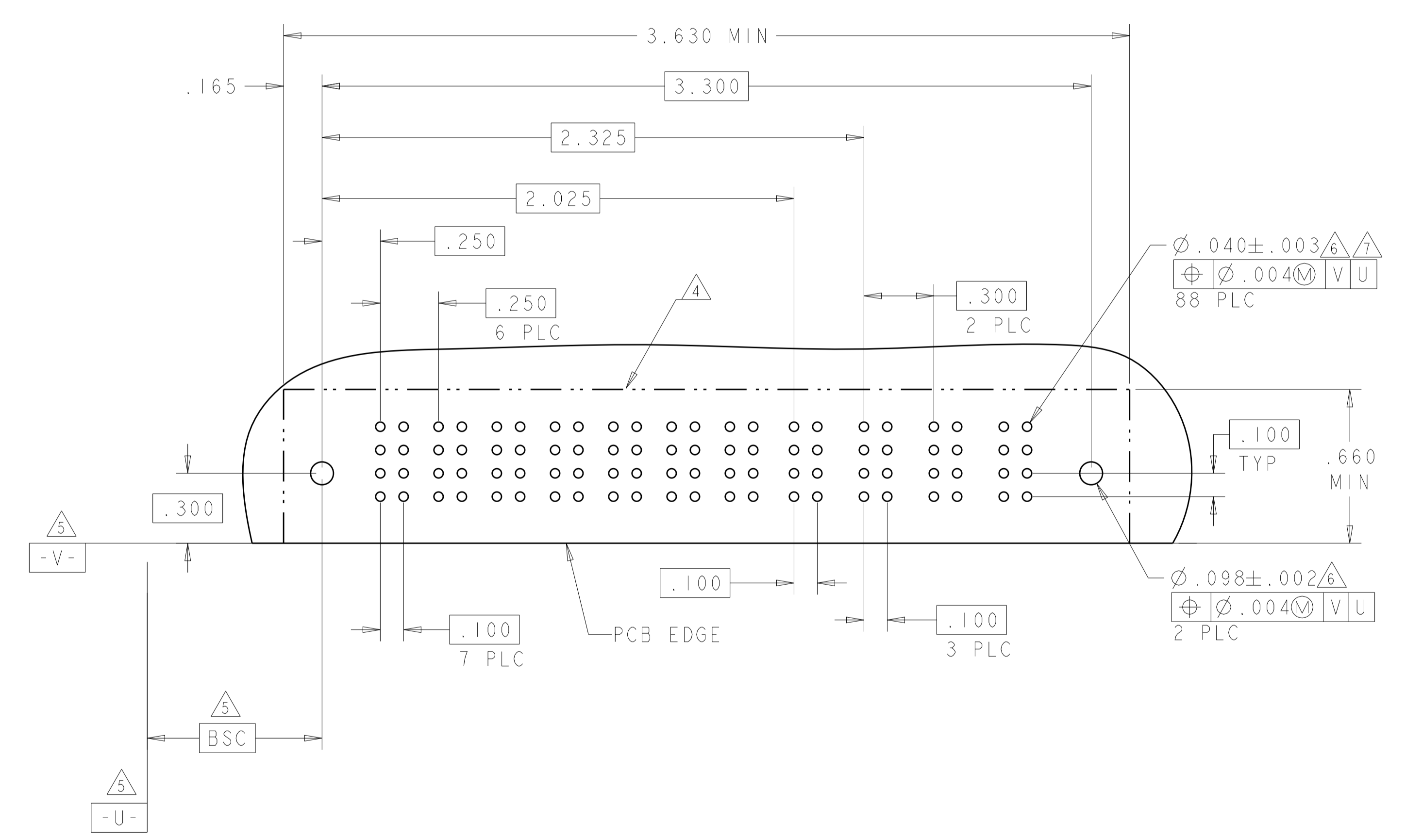
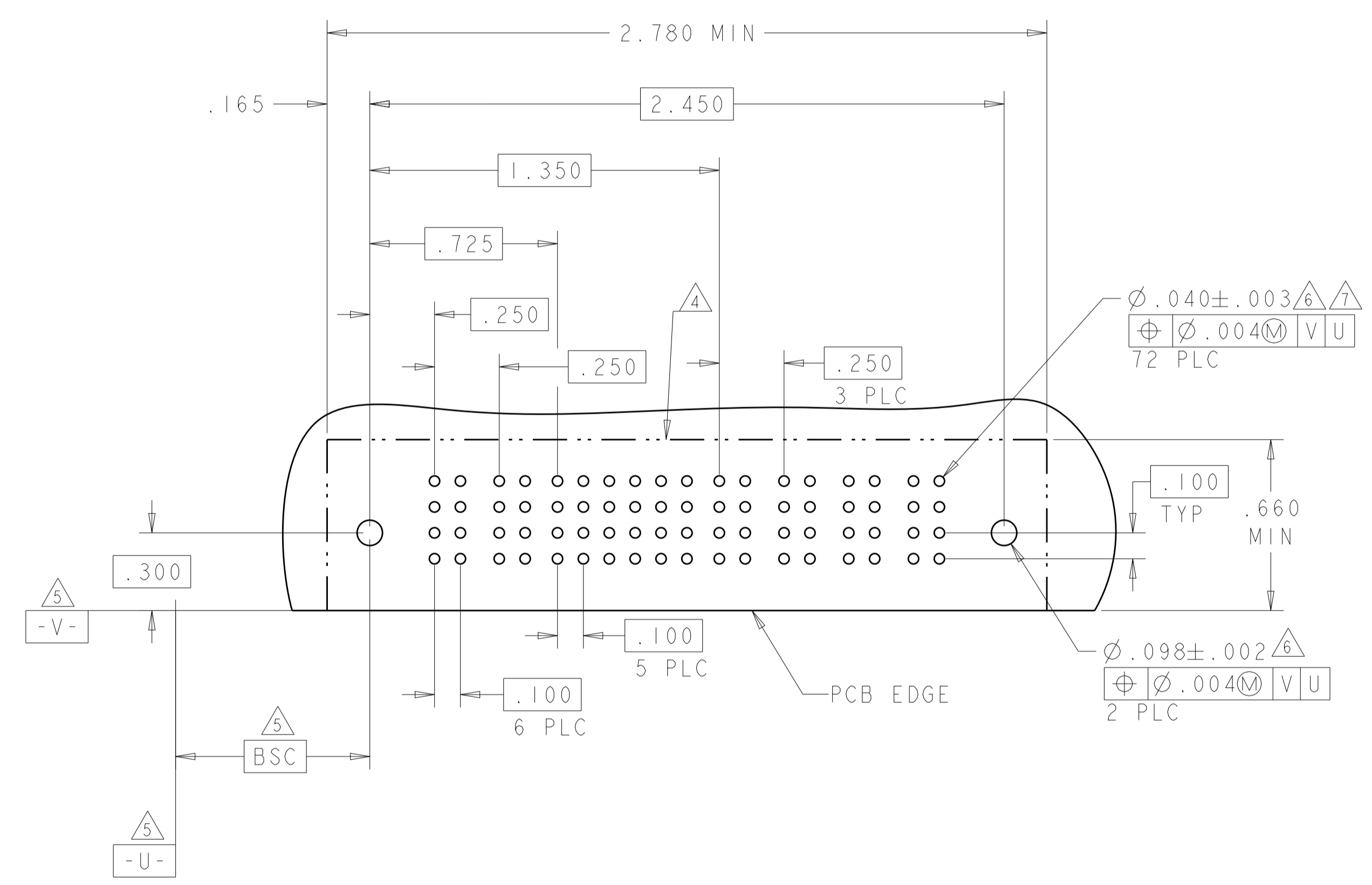
DIMENSIONS:	TOLERANCES UNLESS OTHERWISE SPECIFIED:	DMN	R. GRZYBOWSKI	02FEB05
INCHES	0 PLC ± .01	CHK	M. PERCHERKE	02FEB05
	1 PLC ± .01	APVD	M. PERCHERKE	02FEB05
	2 PLC ± .01	NAME	RIGHT ANGLE HEADER W/GUIDES ASSEMBLY MULTI-BEAM XL	
	3 PLC ± .005	PRODUCT SPEC	-	
	4 PLC ± .0020	APPLICATION SPEC	108-1973	
	ANGLES ± .0020	SIZE	CAGE CODE	DRAWING NO
MATERIAL	FINISH	114-13038	A100779	C=6450120
		WEIGHT		
		CUSTOMER DRAWING	SCALE	4:1
			SHEET	16 OF 24
			REV	M2

4805 (3/11)

LOC	DIST	REVISIONS			
P	LTN	DESCRIPTION	DATE	DMN	APVD
ES	00	SEE SHEET 1			

PART NUMBER	ROWS	POWER		SIGNAL						POWER			
		P1	P2	1	2	3	4	5	6	P3	P4	P5	P6
5-6450120-3	D			J	J	J	J	J	J				
	C			K	K	K	K	K	K				
	B			N	N	N	N	N	N				
	A	HD			S	S	S	S	S				HD
2P + 24S + 4P													

PART NUMBER	ROWS	POWER							SIGNAL		POWER		
		P1	P2	P3	P4	P5	P6	P7	1	2	P8	P9	P10
5-6450120-5	D								J	J			
	C								K	K			
	B								N	N			
	A	HD							S	S			HD
7P + 8S + 3ACP													



THIS DRAWING IS A CONTROLLED DOCUMENT.

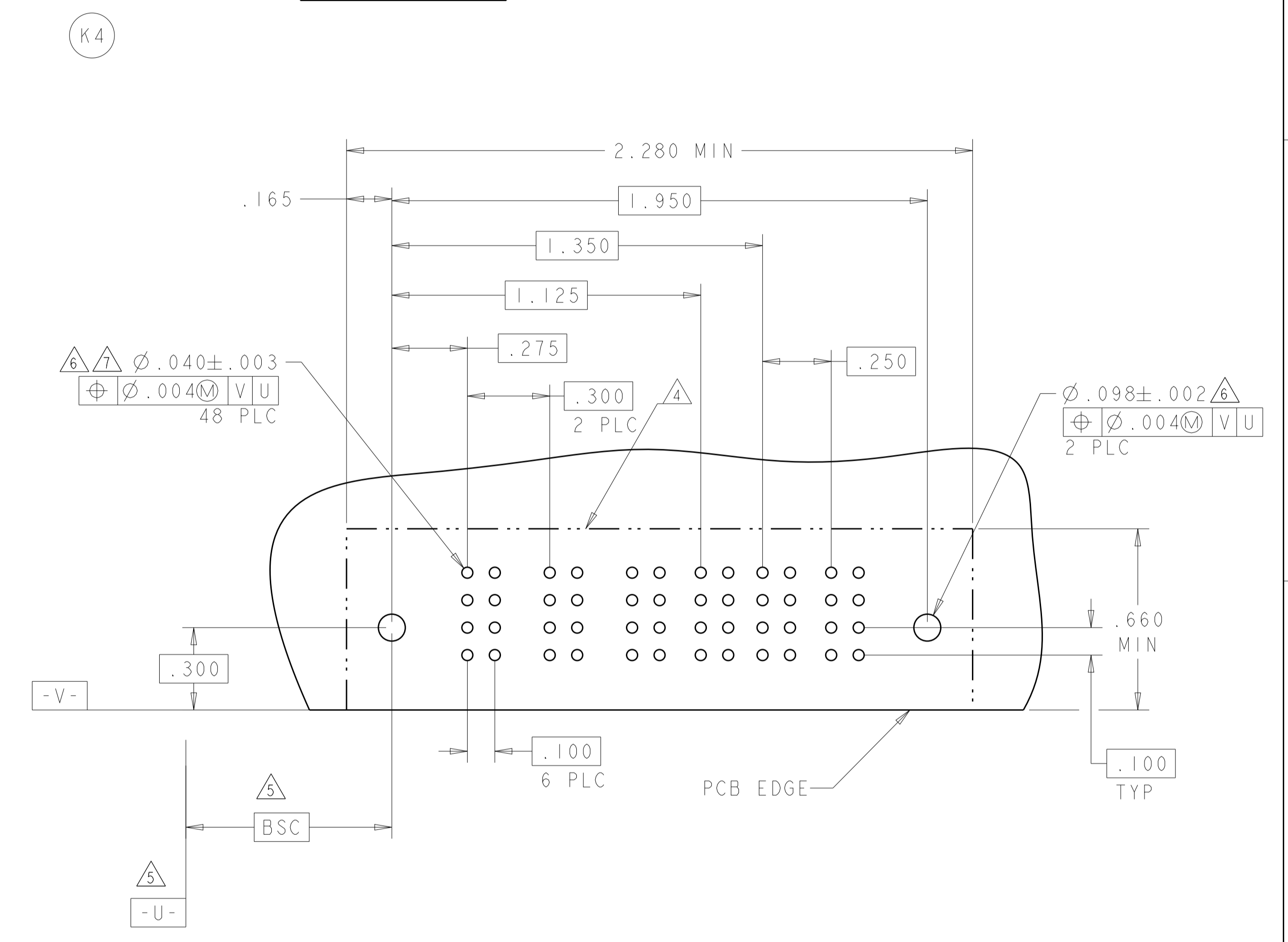
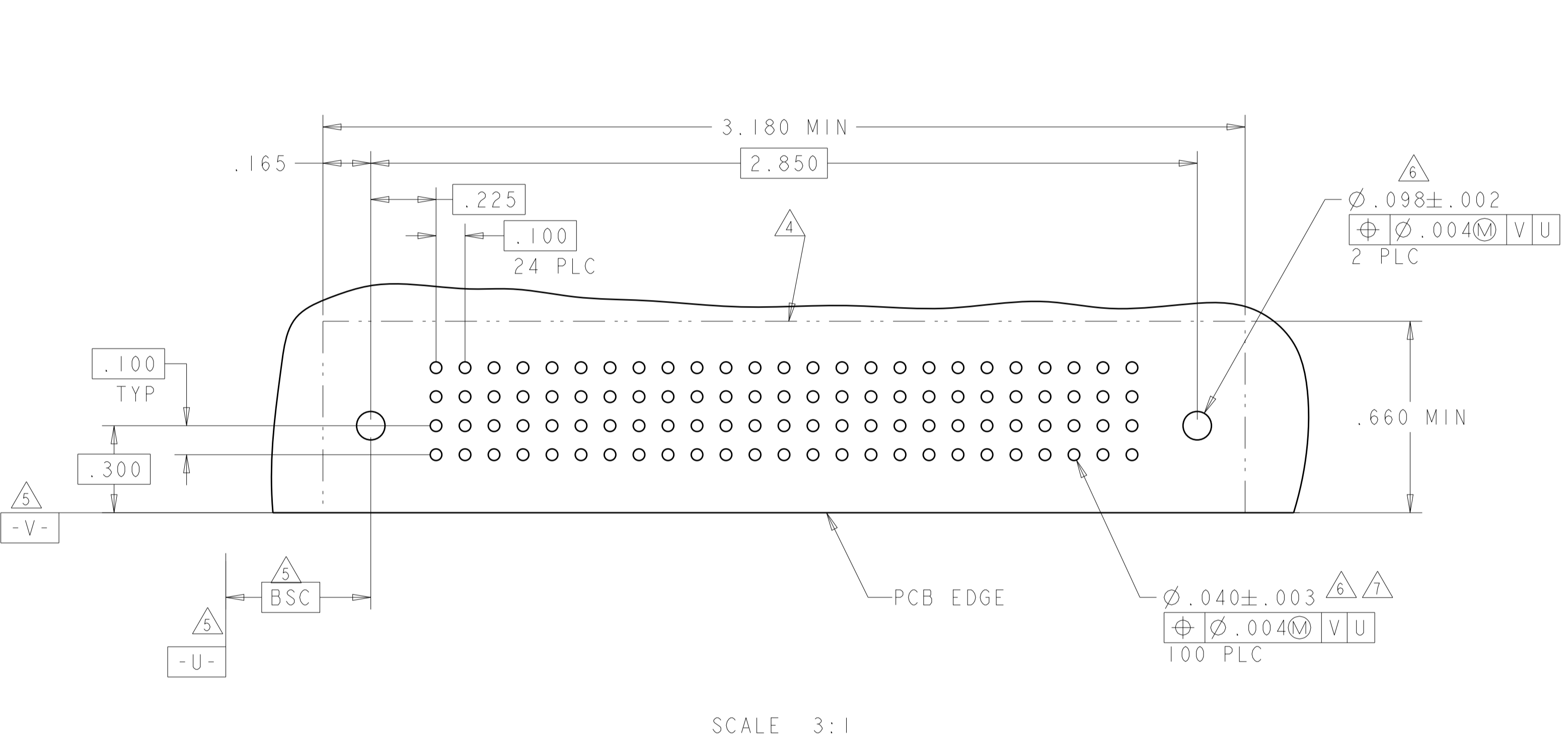
DIMENSIONS:	TOLERANCES UNLESS OTHERWISE SPECIFIED:	OWN: R. GRZYBOWSKI 02FEB05	CHK: M. PERCHERKE 02FEB05	APVD: M. PERCHERKE 02FEB05	NAME: RIGHT ANGLE HEADER W/GUIDES ASSEMBLY MULTI-BEAM XL
INCHES	0 PLC ±.01 2 PLC ±.01 3 PLC ±.005 4 PLC ±.0020	PRODUCT SPEC: 108-1973	APPLICATION SPEC: 114-13038	WEIGHT: -	RESTRICTED TO: -
MATERIAL: -	FINISH: -	SIZE: 114-13038	SCALE: 4:1	SHEET: 17 OF 24	REV: M2

CUSTOMER DRAWING

LOC	DIST	REV	DATE	BY	APPV
ES	00				
REVISIONS			DESCRIPTION	DATE	BY
			SEE SHEET 1		

PART NUMBER	ROWS	SIGNAL																								
		1	2	3	4	5	6	7	8	9	10	11	12	13	14	15	16	17	18	19	20	21	22	23	24	25
5-6450120-8	D	J	J	J	J	J	J	J	J	J	J	J	J	J	J	J	J	J	J	J	J	J	J	J	J	J
	C	K	K	K	K	K	K	K	K	K	K	K	K	K	K	K	K	K	K	K	K	K	K	K	K	K
	B	N	N	N	N	N	N	N	N	N	N	N	N	N	N	N	N	N	N	N	N	N	N	N	N	N
A	S	S	S	S	S	S	S	S	S	S	S	S	S	S	S	S	S	S	S	S	S	S	S	S	S	
100S		HD																								

PART NUMBER	ROWS	POWER			SIGNAL		POWER		
		P1	P2	P3	1	2	P4	P5	
5-6450120-9	D	PM	PM	PM	J	J	PM	PM	
	C				K	K			
	B				N	N			
A				H	S				
3ACP + 8S + 2P		HD							



THIS DRAWING IS A CONTROLLED DOCUMENT.

DIMENSIONS:	TOLERANCES UNLESS OTHERWISE SPECIFIED:	OWN: R. GRZYBOWSKI 02FEB05	CHK: M. PERCHERKE 02FEB05	APV: M. PERCHERKE 02FEB05	NAME: R. GRZYBOWSKI
INCHES	0 PLC ±.01 2 PLC ±.01 3 PLC ±.01 4 PLC ±.005 ANGLES ±.0020	PRODUCT SPEC: 108-1973	APPLICATION SPEC: 114-13038	WEIGHT: -	RESTRICTED TO: -
MATERIAL: -	FINISH: -	SIZE: A1	CAGE CODE: 6450120	SCALE: 4:1	SHEET 19 OF 24
CUSTOMER DRAWING		REV: M2			

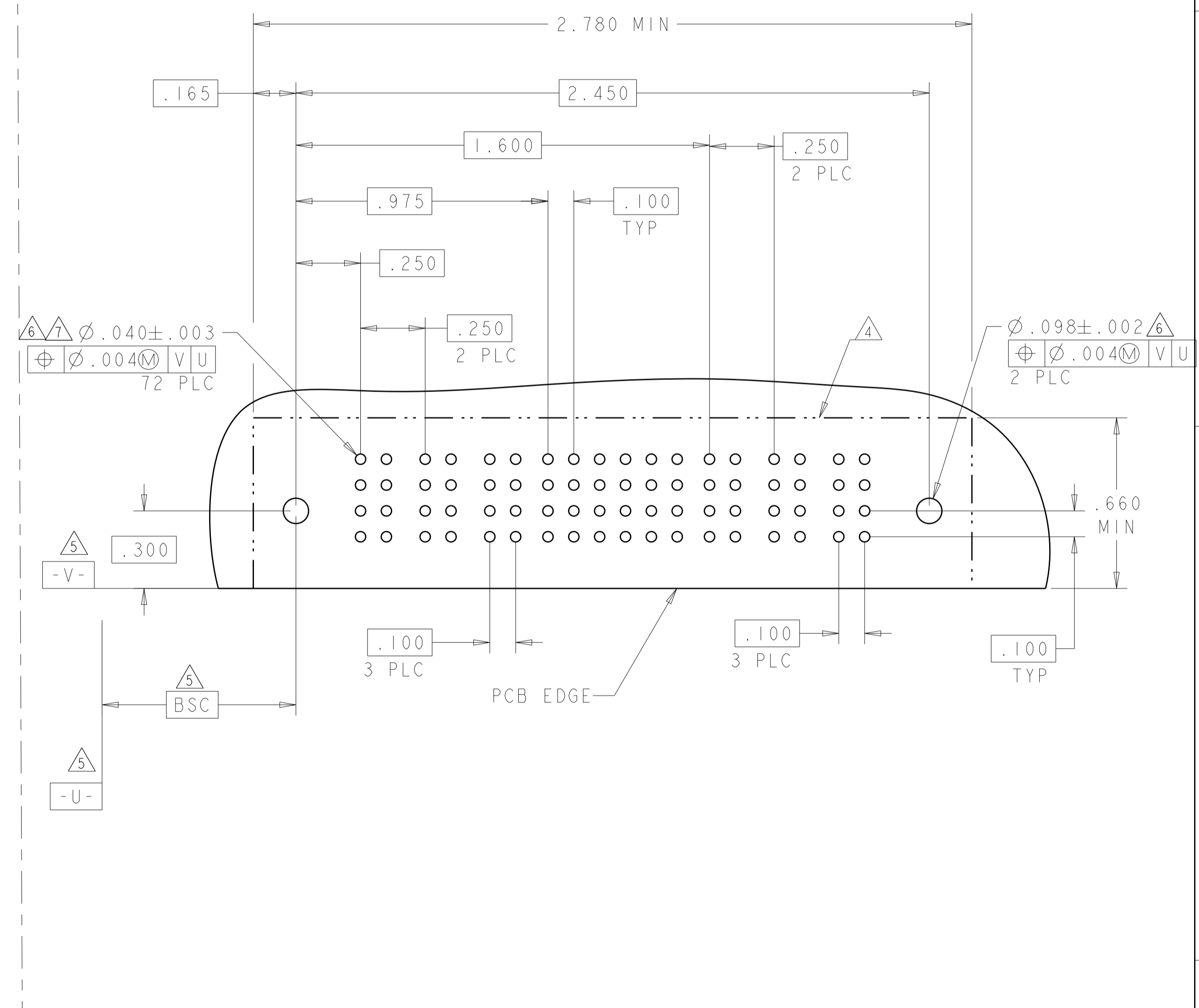
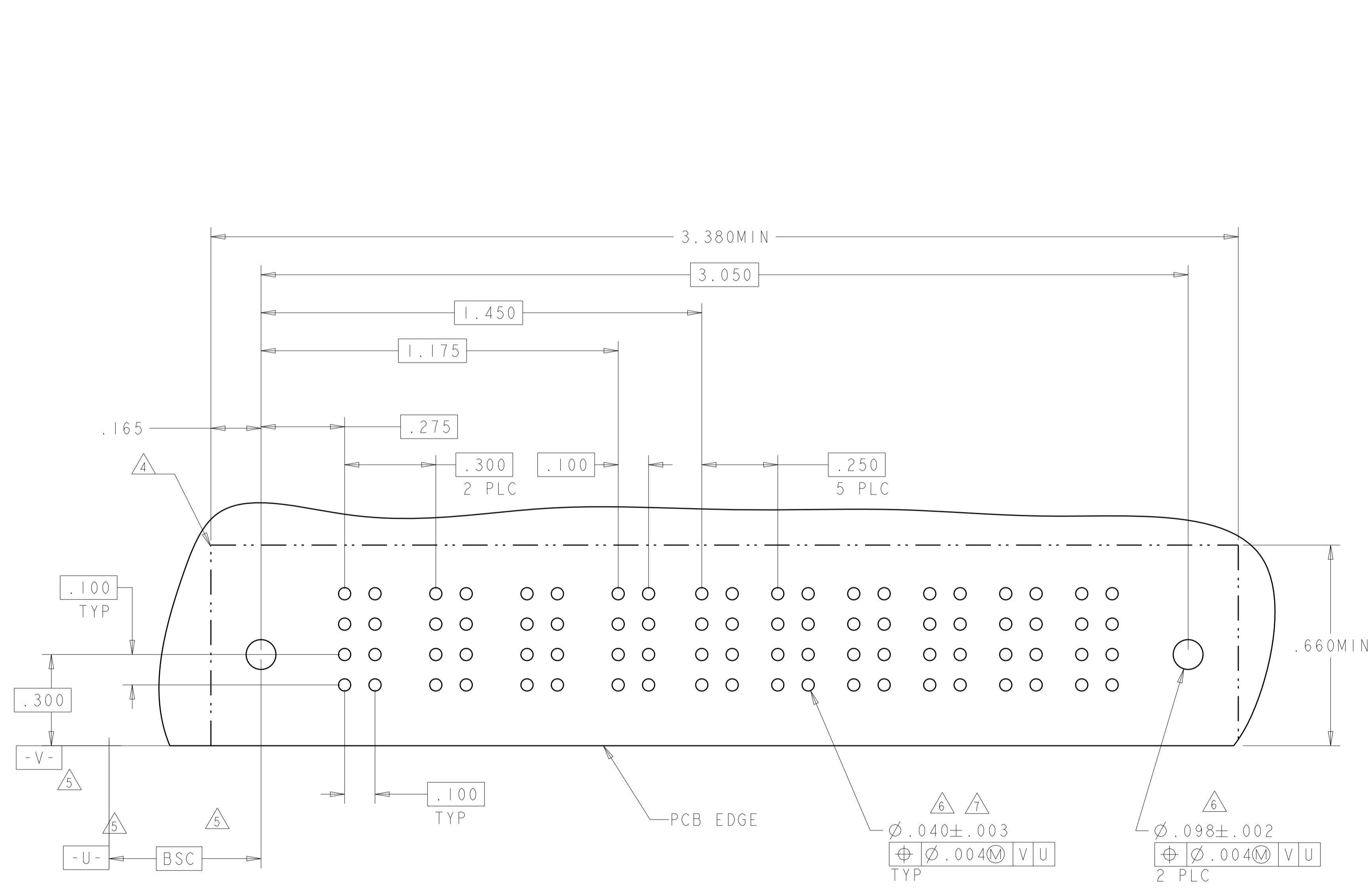
STE TE Connectivity

RIGHT ANGLE HEADER W/GUIDES ASSEMBLY MULTI-BEAM XL

LOC		DIST		REVISIONS			
P	LTN	DATE	DMN	APVD			
-	-	SEE SHEET 1	-	-	-	-	-

PART NUMBER	ROWS	POWER			SIGNAL		POWER					
		P1	P2	P3	1	2	P4	P5	P6	P7	P8	P9
6-6450120-0	D	PM	PM	PM	J	J	PM	PM	PM	PM	PM	PM
	C				K	K						
	B				N	N						
	A				H	S						
3ACP + 8S + 6P												

PART NUMBER	ROWS	POWER			SIGNAL						POWER		
		P1	P2	P3	1	2	3	4	5	6	P4	P5	P6
6-6450120-1	D	PM	PM	PM	J	J	J	J	J	J	PM	PM	PM
	C				K	K	F	F	K	K			
	B				N	N	G	G	N	N			
	A				S	S	S	S	S	S			
3P + 24S + 3P													



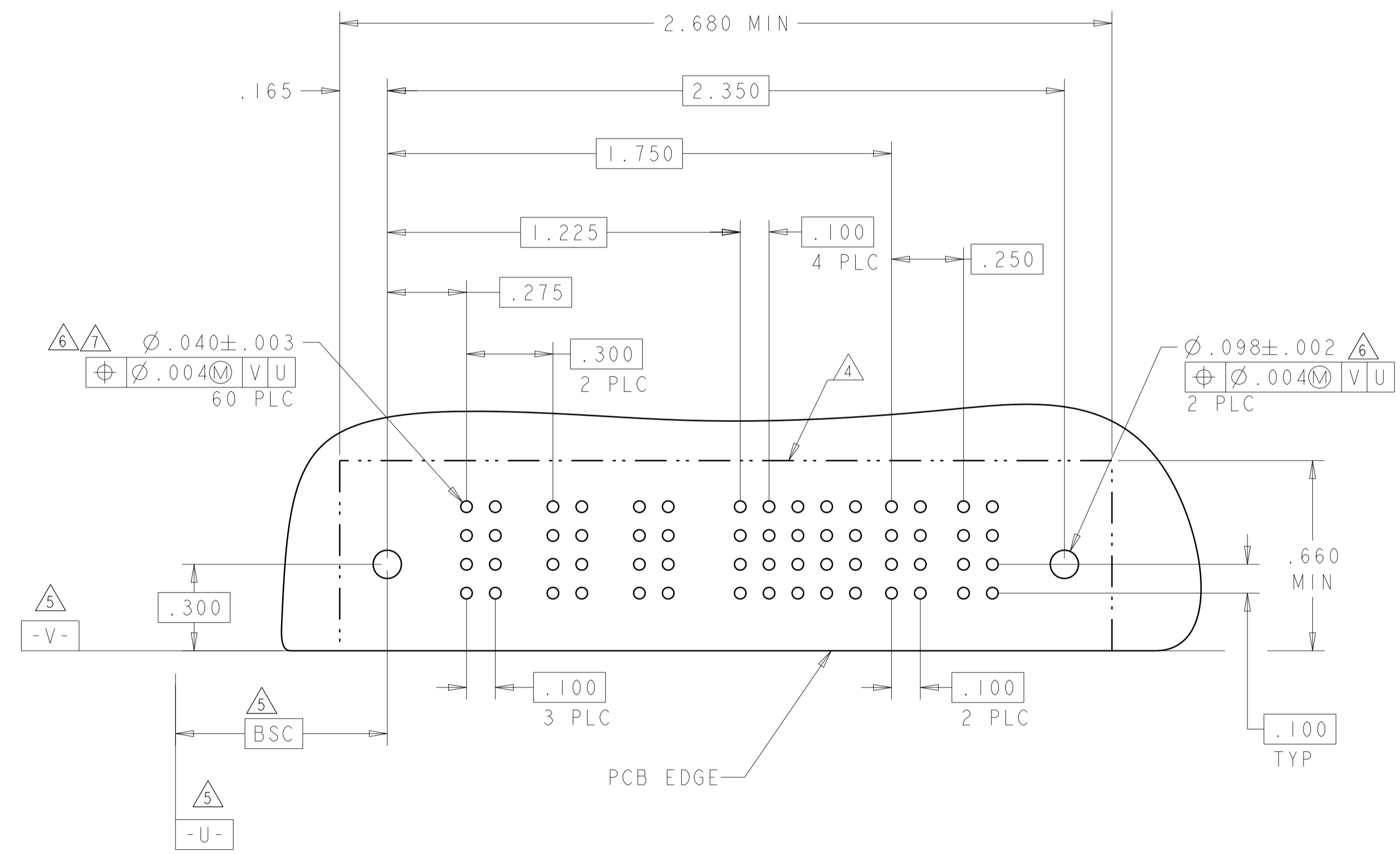
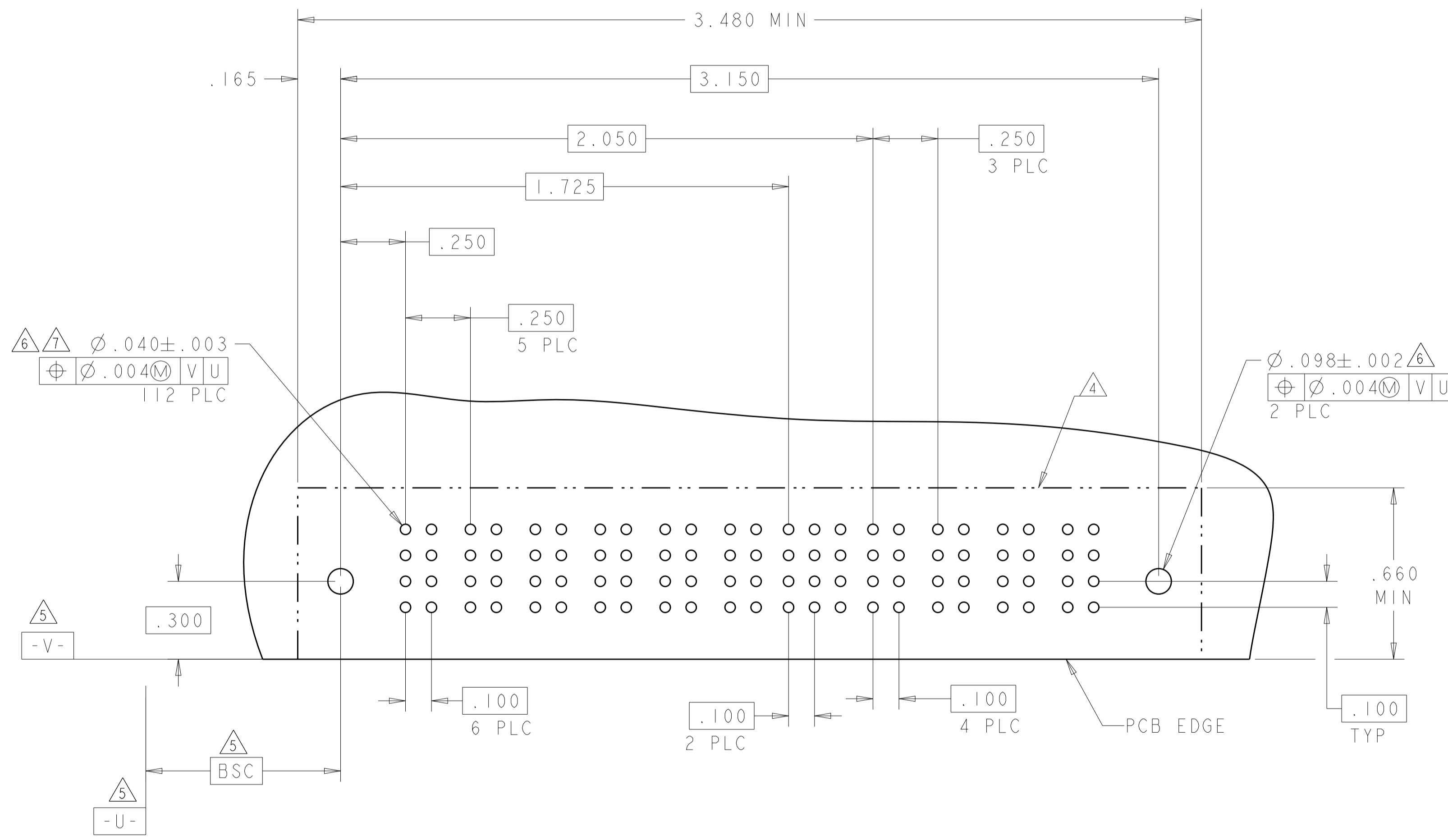
THIS DRAWING IS A CONTROLLED DOCUMENT.		OWN: R. GRZYBOWSKI 02FEB05	TE Connectivity
DIMENSIONS: INCHES		CHK: M. PERCHERKE 02FEB05	
TOLERANCES UNLESS OTHERWISE SPECIFIED:		APVD: M. PERCHERKE 02FEB05	NAME: RIGHT ANGLE HEADER W/GUIDES ASSEMBLY MULTI-BEAM XL
0 PLC ± .01 1 PLC ± .01 2 PLC ± .01 3 PLC ± .005 4 PLC ± .002 ANGLES ± .020		PRODUCT SPEC: 108-1973	SIZE: A
MATERIAL: -		APPLICATION SPEC: 114-13038	CAGE CODE: 6450120
FINISH: -		WEIGHT: -	RESTRICTED TO: -
		CUSTOMER DRAWING	SCALE: 4:1 SHEET 20 OF 24 REV: M2

LOC	DIST	REV	DATE	BY	APPV
ES	00				
DESCRIPTION			DATE	BY	APPV
SEE SHEET 1					

PART NUMBER	ROWS	POWER						SIGNAL			POWER			
		P1	P2	P3	P4	P5	P6	1	2	3	P7	P8	P9	P10
6-6450120-4	D C B A	PM	PM	PM	PM	PM	PM	J	J	E	PM	PM	PM	PM
								K	K	F				
								N	N	N				
6P + 12S + 4P		HD		HD										

PART NUMBER	ROWS	POWER			SIGNAL						POWER	
		P1	P2	P3	1	2	3	4	5	6	P4	P5
6-6450120-5	D C B A	PM	PM	PM	J	J	J	J	J	J	PM	PM
					K	K	K	K	K			
					N	N	N	N	N			
3ACP + 24S + 2P		HD		HD								

NO CONTACTS LOADED



THIS DRAWING IS A CONTROLLED DOCUMENT.

DIMENSIONS:	TOLERANCES UNLESS OTHERWISE SPECIFIED:	OWN: R. GRZYBOWSKI 02FEB05	CHK: M. PERCHERKE 02FEB05	APVD: M. PERCHERKE 02FEB05	NAME: RIGHT ANGLE HEADER W/GUIDES ASSEMBLY MULTI-BEAM XL
INCHES	0 PLC ± .01 2 PLC ± .01 3 PLC ± .01 4 PLC ± .005 ANGLES ± .0020	PRODUCT SPEC: 108-1973	APPLICATION SPEC: 114-13038	WEIGHT: -	SIZE: A1
MATERIAL: -	FINISH: -	CAGE CODE: 6450120	DRAWING NO: 100779	SCALE: 4:1	SHEET 21 OF 24
CUSTOMER DRAWING			REV: M2		

STE TE Connectivity

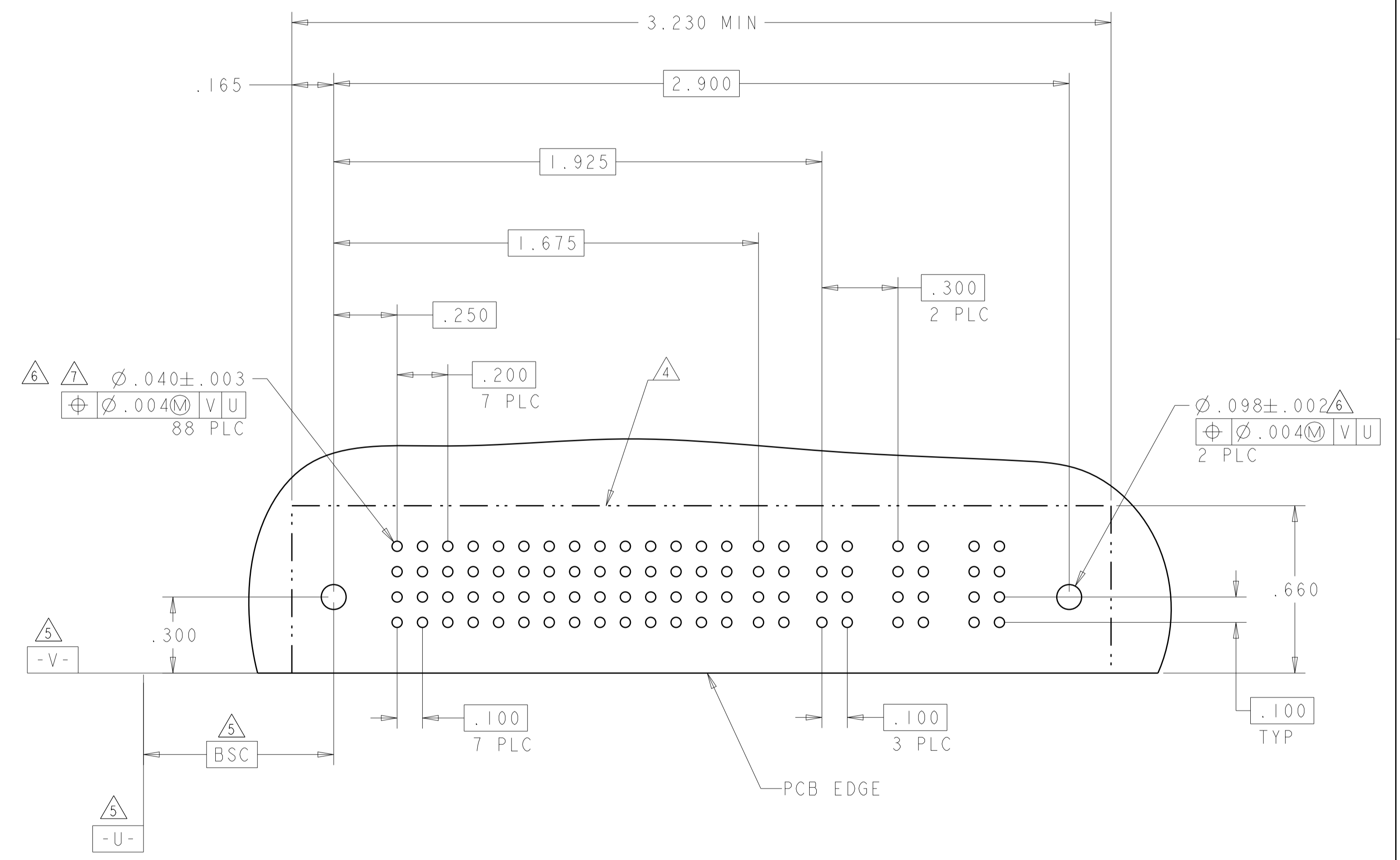
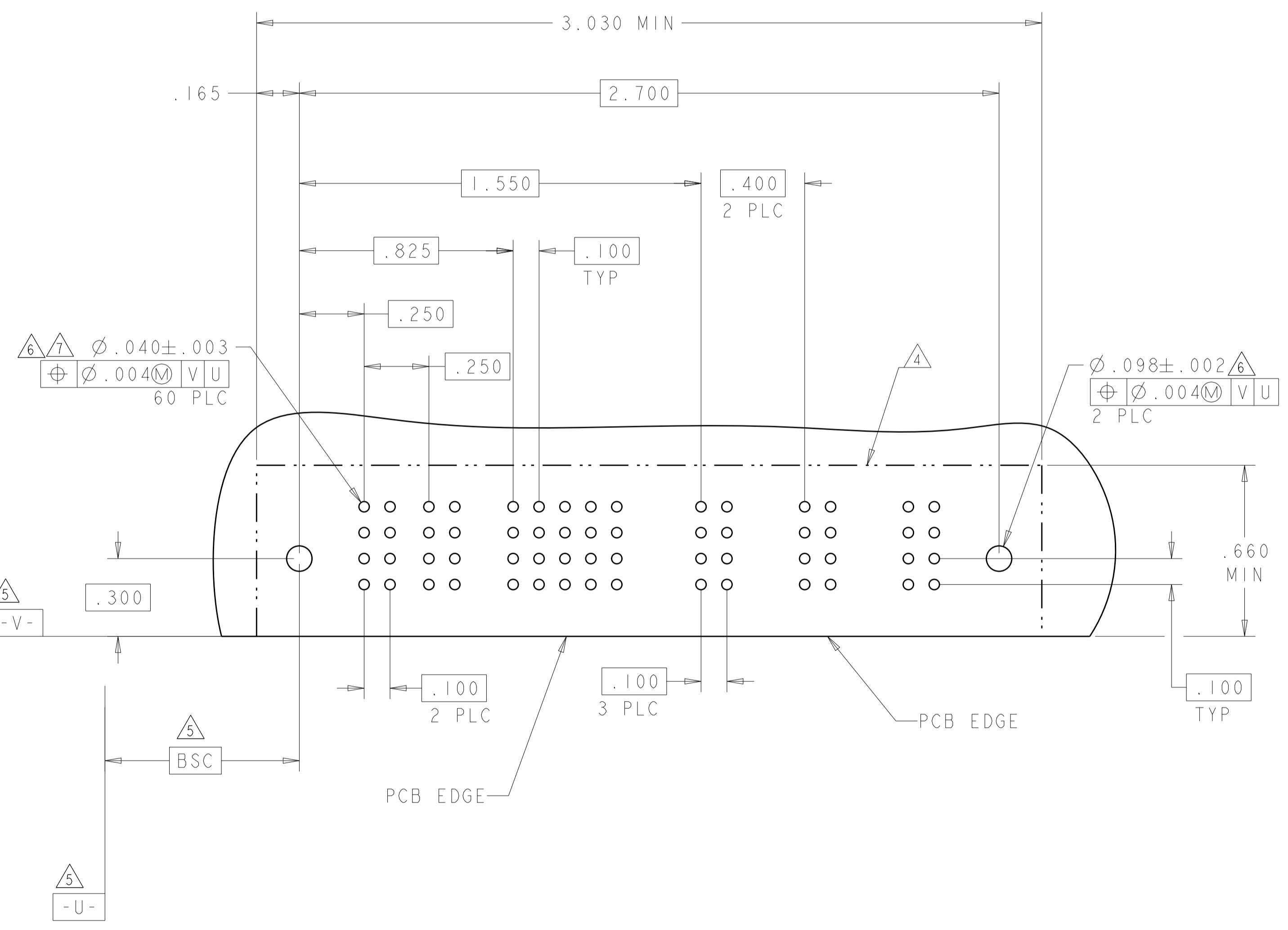
LOC		DIST		REVISIONS			
ES	00	P	LTN	DESCRIPTION	DATE	OWN	APVD
		-		SEE SHEET 1			

PART NUMBER	ROWS	POWER		SIGNAL						POWER						
		P1	P2	1	2	3	4	5	6	P3	P4	P5	P6	P7	P8	
6-6450120-6	D C B A	PM	PM	J	J	J	J	J								
				K	K	K	K	K								
				N	N	N	N	N								
				S	S	S	S	S								
2P + 24S + 6P																

NO CONTACTS LOADED

PART NUMBER	ROWS	POWER							SIGNAL		POWER				
		P1	P2	P3	P4	P5	P6	P7	1	2	P8	P9	P10		
6-6450120-7	D C B A	PM	PM	PM	PM	PM	PM	PM	E	E					
									F	F					
									G	G					
									H	H					
7HDP + 8S + 3ACP															

(L5)



THIS DRAWING IS A CONTROLLED DOCUMENT.

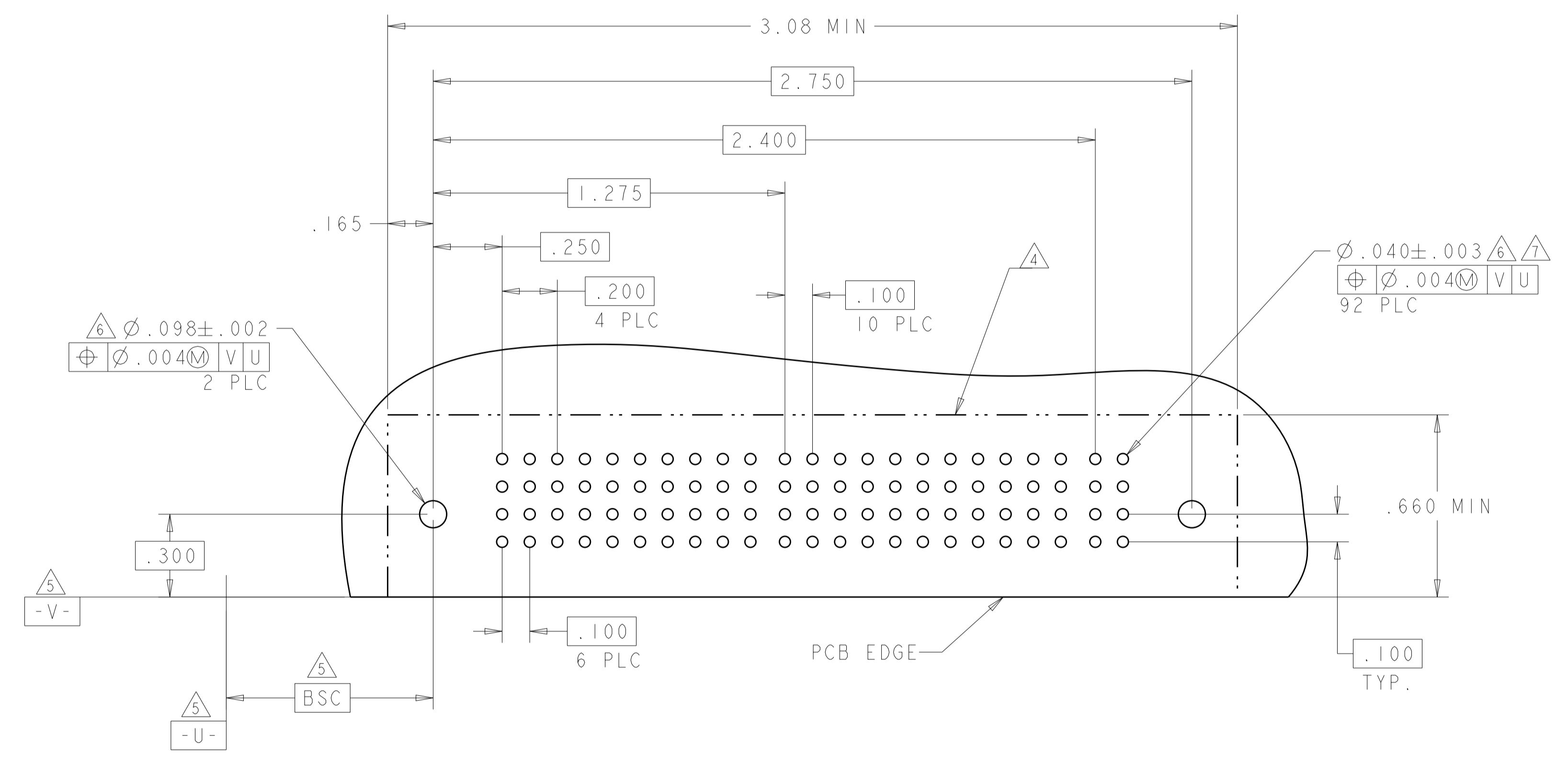
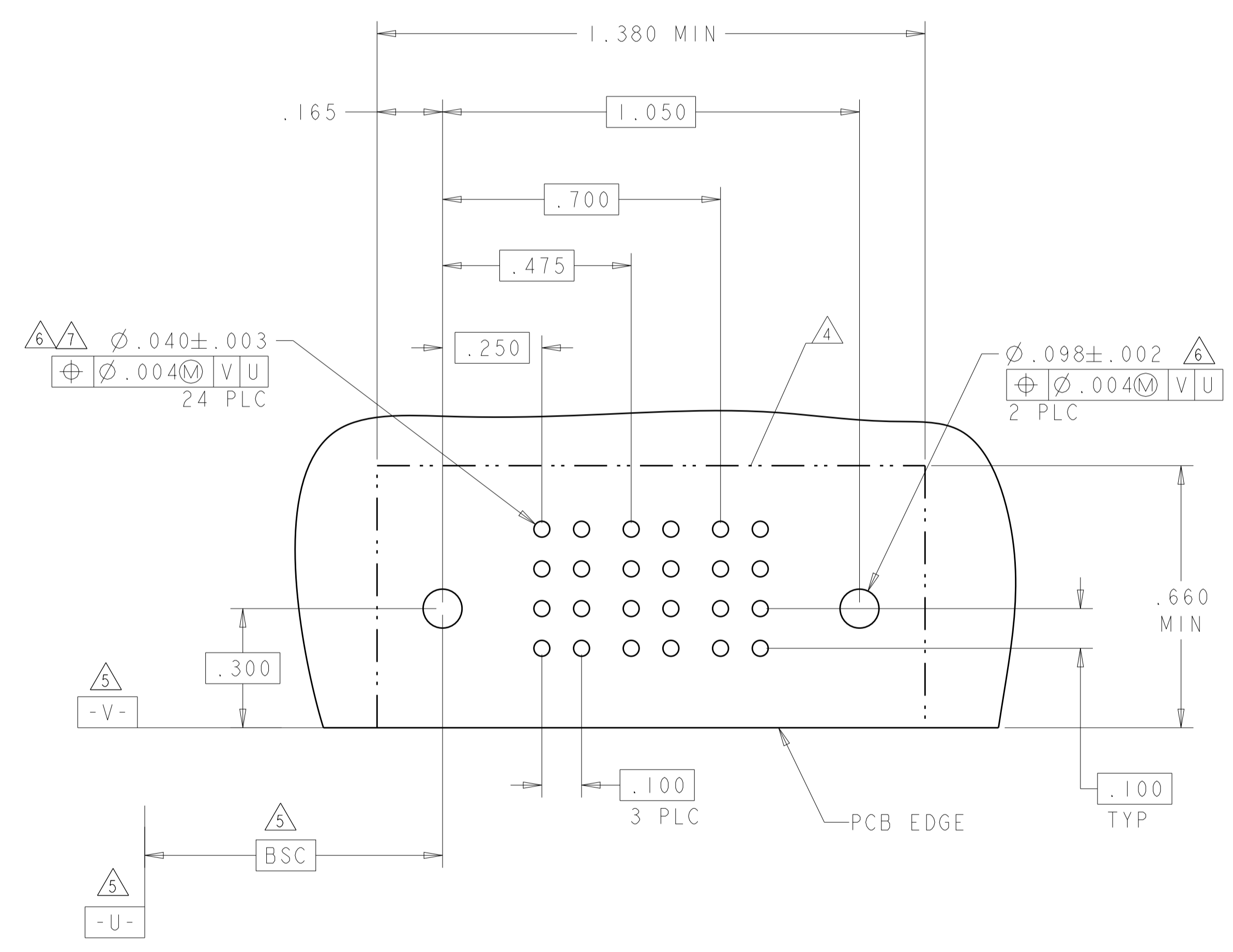
DIMENSIONS:	TOLERANCES UNLESS OTHERWISE SPECIFIED:	OWN: R. GRZYBOWSKI 02FEB05	CHK: M. PERCHERKE 02FEB05	APVD: M. PERCHERKE 02FEB05	NAME: RIGHT ANGLE HEADER W/GUIDES ASSEMBLY MULTI-BEAM XL
INCHES	0 PLC ± .01 1 PLC ± .01 2 PLC ± .01 3 PLC ± .005 4 PLC ± .002 ANGLES ± .020	PRODUCT SPEC: 108-1973	APPLICATION SPEC: 114-13038	WEIGHT: -	SIZE: A1
MATERIAL: -	FINISH: -	CAGE CODE: 6450120	DRAWING NO: 6450120	SCALE: 4:1	SHEET 22 OF 24
CUSTOMER DRAWING			REV: M2		

4805 (3/11)

LOC		DIST		REVISONS			
ES	00	P	LTN	DESCRIPTION	DATE	DMN	APVD
		-		SEE SHEET 1			

PART NUMBER	ROWS	POWER		SIGNAL		POWER	
		P1	P2	1	2	P1	P2
6-6450120-8	D	PM	PM	J	J	PM	PM
	C			K	K		
	B			N	N		
	A			S	S		
IP + 8S + IP		HD				HD	

PART NUMBER	ROWS	POWER					SIGNAL											POWER
		P1	P2	P3	P4	P5	1	2	3	4	5	6	7	8	9	10	11	P6
7-6450120-0	D	PM	PM	PM	PM	J	J	J	J	J	J	K	F	F	F	F	F	PM
	C					G	N	N	N	N	K	F	F	F	F			
	B					H	H	H	H	H	S	S	H	H	H	H		
	A																	
5P + 44S + IP		HD																HD



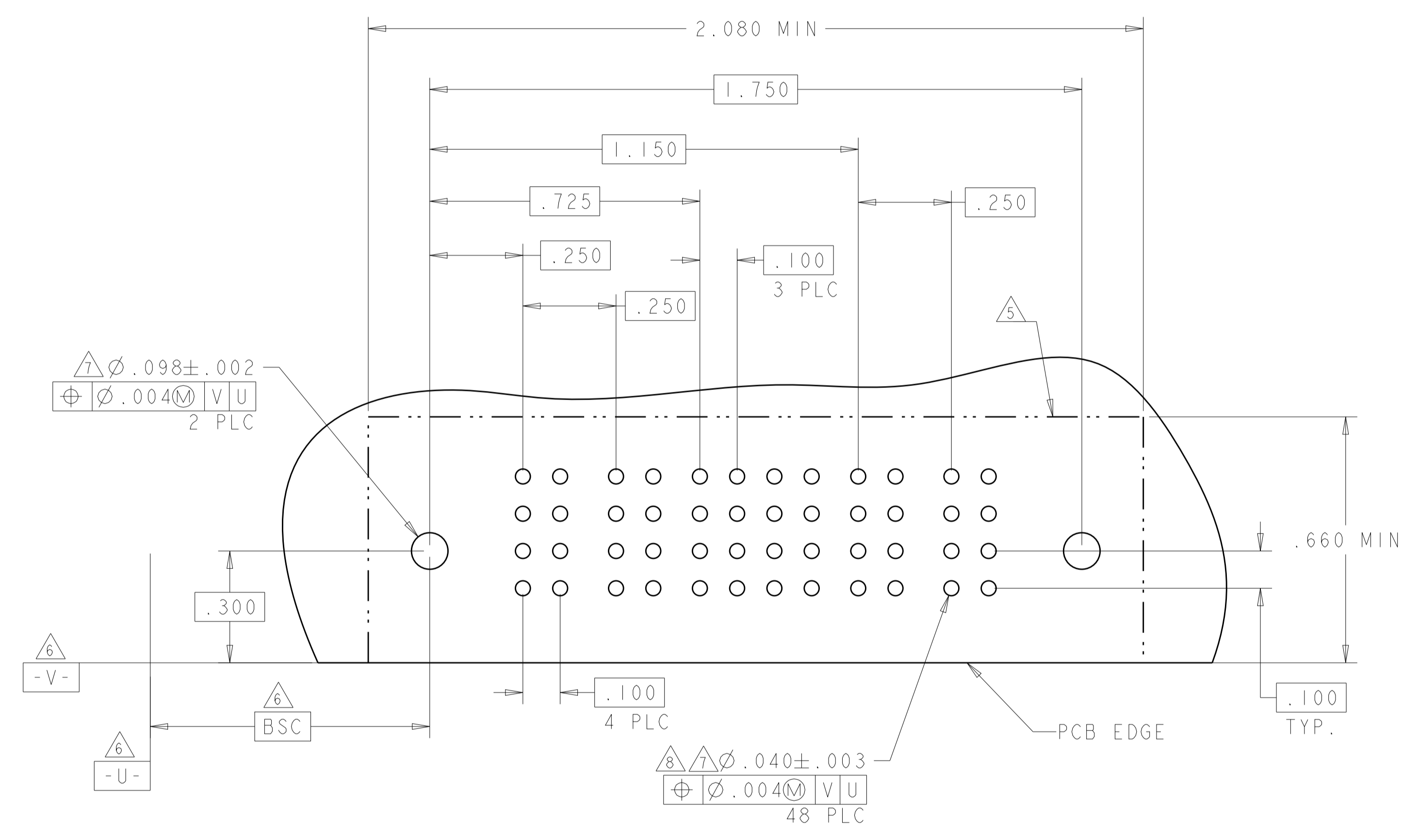
THIS DRAWING IS A CONTROLLED DOCUMENT.

DIMENSIONS:	TOLERANCES UNLESS OTHERWISE SPECIFIED:	OWN: R. GRZYBOWSKI 02FEB05	CHK: M. PERCHERKE 02FEB05	APVD: M. PERCHERKE 02FEB05	NAME: RIGHT ANGLE HEADER W/GUIDES ASSEMBLY MULTI-BEAM XL
INCHES	0 PLC ±.01 2 PLC ±.01 3 PLC ±.005 4 PLC ±.0020	PRODUCT SPEC: 108-1973	APPLICATION SPEC: 114-13038	WEIGHT: -	SIZE: A1
MATERIAL: -	FINISH: -	RESTRICTED TO: -	CUSTOMER DRAWING	SCALE: 4:1	SHEET 23 OF 24

4805 (3/11)

LOC	DIST	REVISIONS			
P	LTN	DESCRIPTION	DATE	DMN	APVD
ES	00	SEE SHEET 1	-	-	-

PART NUMBER	ROWS	POWER		SIGNAL				POWER	
		P1	P2	1	2	3	4	P3	P4
7-6450120-1	D	PM	PM	E	E	E	E	PM	PM
	C			F	F	F	F		
	B			N	N	N	N		
	A			H	H	H	H		
2P + 16S + 2P		HD	HD					HD	HD



THIS DRAWING IS A CONTROLLED DOCUMENT.

DIMENSIONS: INCHES	TOLERANCES UNLESS OTHERWISE SPECIFIED: 0 PLC ±. 1 PLC ±.01 2 PLC ±.01 3 PLC ±.005 4 PLC ±.0020 ANGLES ±7°	OWN: R. GRZYBOWSKI 02FEB05 CHK: M. PERCHERKE 02FEB05 APVD: M. PERCHERKE 02FEB05	NAME: RIGHT ANGLE HEADER W/GUIDES ASSEMBLY MULTI-BEAM XL
MATERIAL: -	FINISH: -	PRODUCT SPEC: 108-1973 APPLICATION SPEC: 114-13038 WEIGHT: -	SIZE: A1 CAGE CODE: 6450120 DRAWING NO: 100779
CUSTOMER DRAWING		SCALE: 4:1	SHEET 24 OF 24 REV: M2

4805 (3/11)

Mouser Electronics

Authorized Distributor

Click to View Pricing, Inventory, Delivery & Lifecycle Information:

[TE Connectivity:](#)

[6450120-1](#)