

THIS DRAWING IS UNPUBLISHED. RELEASED FOR PUBLICATION
 © COPYRIGHT - By - ALL RIGHTS RESERVED.

LOC		DIST		REVISIONS			
P	LTR	DESCRIPTION		DATE	DWN	APVD	
	B3	REVISED PER ECO-11-004587		11MAR11	RK	HMR	

SPECIFICATIONS:
 BREAK BEFORE MAKE

MATERIALS:

- FRAME: STEEL,ZINC PLATE
- ACTUATOR: PBT,UL94V0, SEE P/N TABLE
- TERMINAL/FIXED CONTACT: COPPER ALLOY, AG OVER NI OR AU OVER NI PLATE.
- MOVING CONTACT: COPPER ALLOY, AG OVER NI OR AU OVER NI PLATE
- TERMINAL BOARD: PHENOLIC, UL94HB
- COIL SPRING: CARBON STEEL WIRE

ELECTRICAL:

- CONTACT RATING, 250MILLIAMPS @ 125V AC, 150MILLIAMPS @ 12V DC
- CONTACT RESISTANCE, 30 MILLIOHMS MAX (INITIAL), 60 MILLIOHMS AFTER TEST
- INSULATION RESISTANCE: 500 MEGOHMS MIN.
- DIELECTRIC STRENGTH: 500 VOLTS RMS @SEA LEVEL
- LIFE EXPECTANCY: 10,000 CYCLES MIN. NO LOAD, 6,000 AT RATED CURRENT.

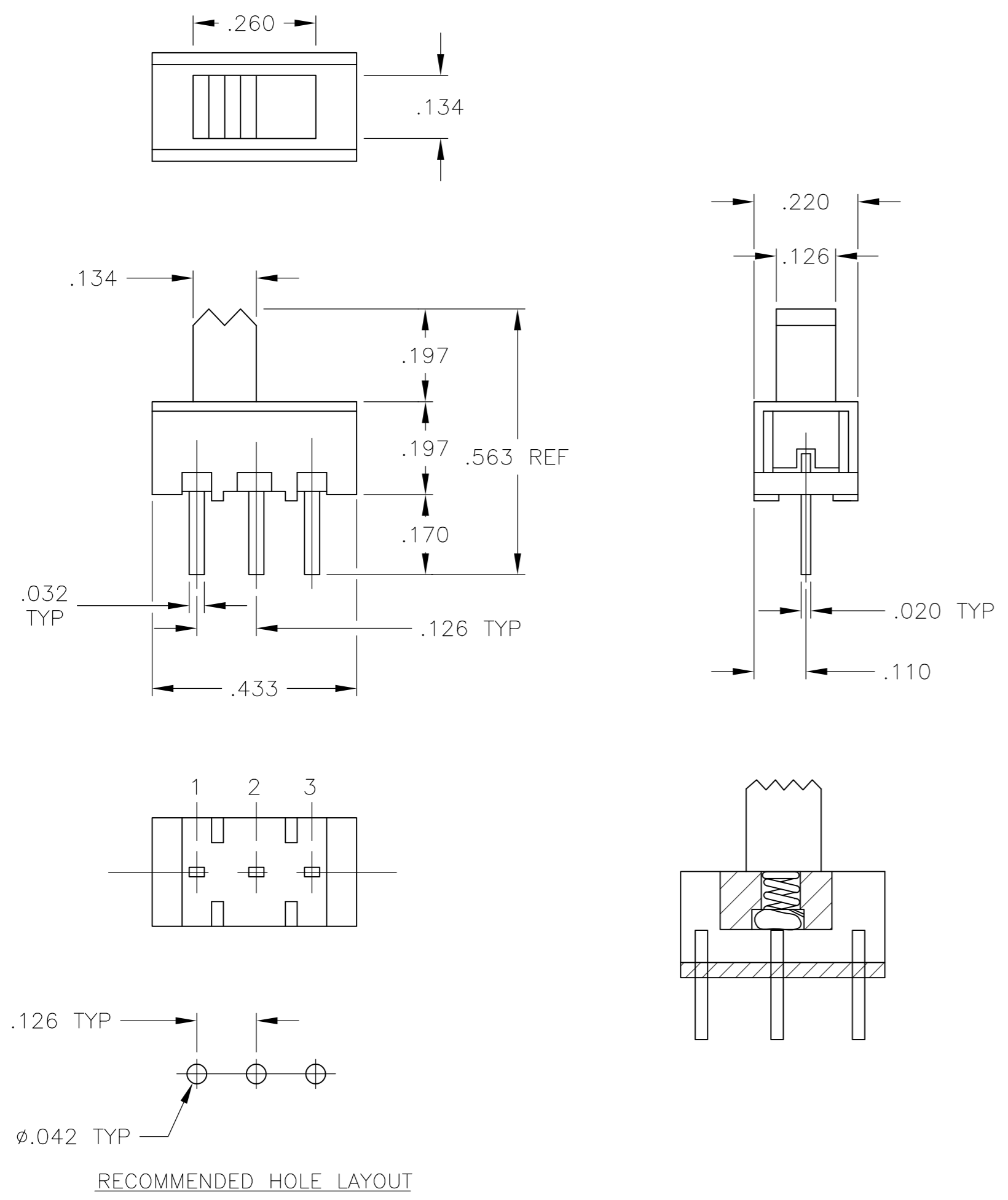
MECHANICAL:

- ACTUATION FORCE, 250 +150/-100 GRAMS
- TRAVEL, .126 (3.20)

ENVIRONMENTAL:

- OPERATING TEMPERATURE: -10°C TO +85°C
- STORAGE TEMPERATURE: -10°C TO +85°C
- RESISTANCE TO SOLDER HEAT, 260°C FOR 10 SEC PER 109-202, CONDITION B
- SOLDERABILITY PER EIA-364-56A, PROCEDURE 3, CONDITION B

- ALL MATERIALS AND FINISHES SHALL COMPLY WITH EU DIRECTIVE 2002/95/EC OF 27 JAN2003 (ROHS)
- ALL PERFORMANCE SPECIFICATIONS WERE TESTED IN ACCORDANCE WITH JIS-C-5441 UNLESS OTHERWISE STATED.



ACTUATOR POSITION	ACTUATOR COLOR	FINISH	TYPE	ALCO P/N	PART NO.
1,2	2,3	NATURAL	GOLD	SPDT	SLS121NPCG04 1825115-4
1,2	2,3	NATURAL	SILVER	SPDT	SLS121NPC04 1825115-3
1,2	2,3	BLACK	GOLD	SPDT	SLS121PCG04 1825115-2
1,2	2,3	BLACK	SILVER	SPDT	SLS121PCG04 1825115-1

THIS DRAWING IS A CONTROLLED DOCUMENT.

DWN: B S VISWESWARA 01MAR05
 CHK: M S SARVER
 APVD: -

TE Connectivity

SLIDE SWITCH, SPDT (SLS121PC & SLS121PCG)

PRODUCT SPEC: -
 APPLICATION SPEC: -

MATERIAL: SEE TABLE
 FINISH: -

WEIGHT: -

SCALE: 4:1
 SHEET: 1 of 1
 REV: B3

Mouser Electronics

Authorized Distributor

Click to View Pricing, Inventory, Delivery & Lifecycle Information:

[TE Connectivity:](#)

[SLS121NPC04](#)