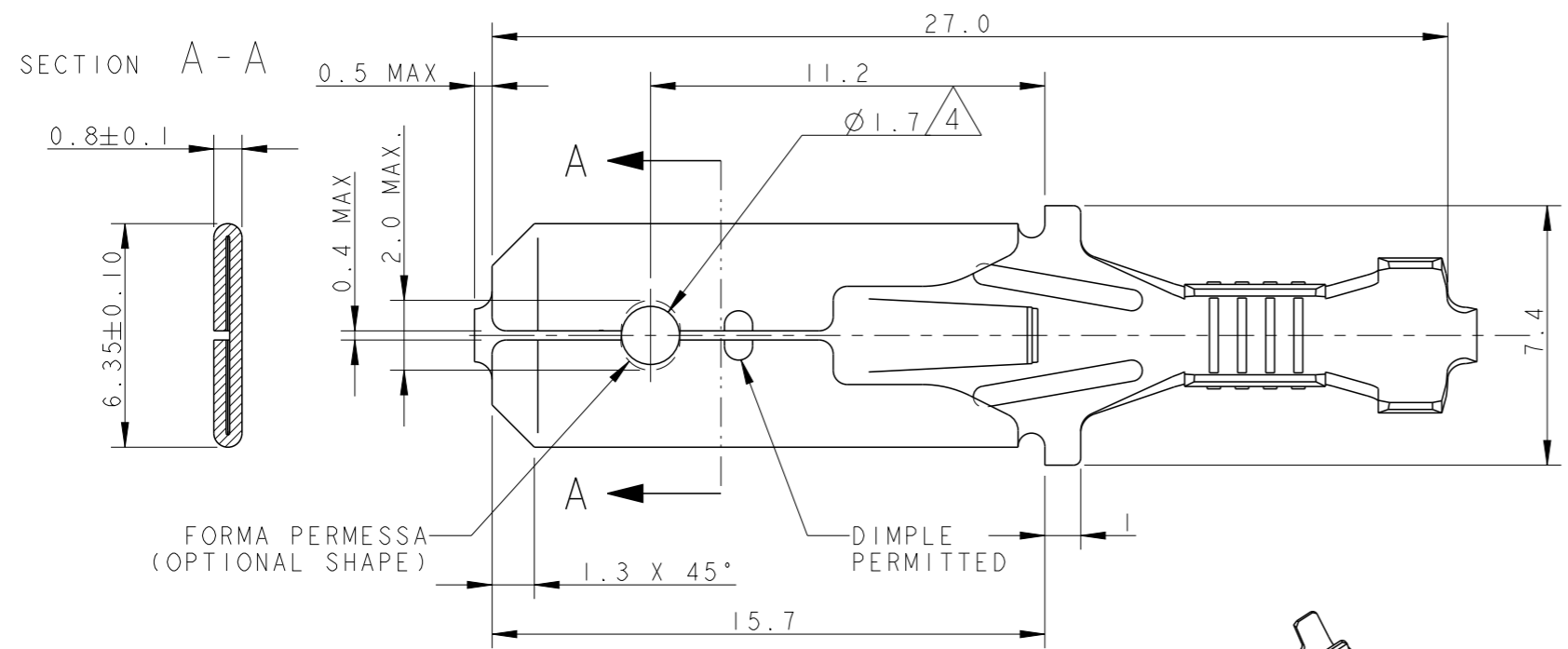
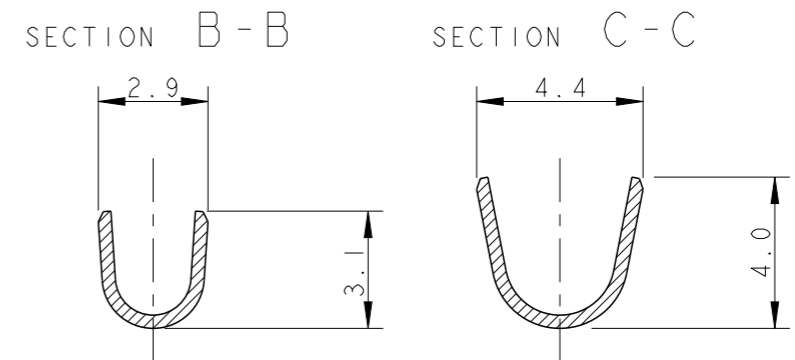
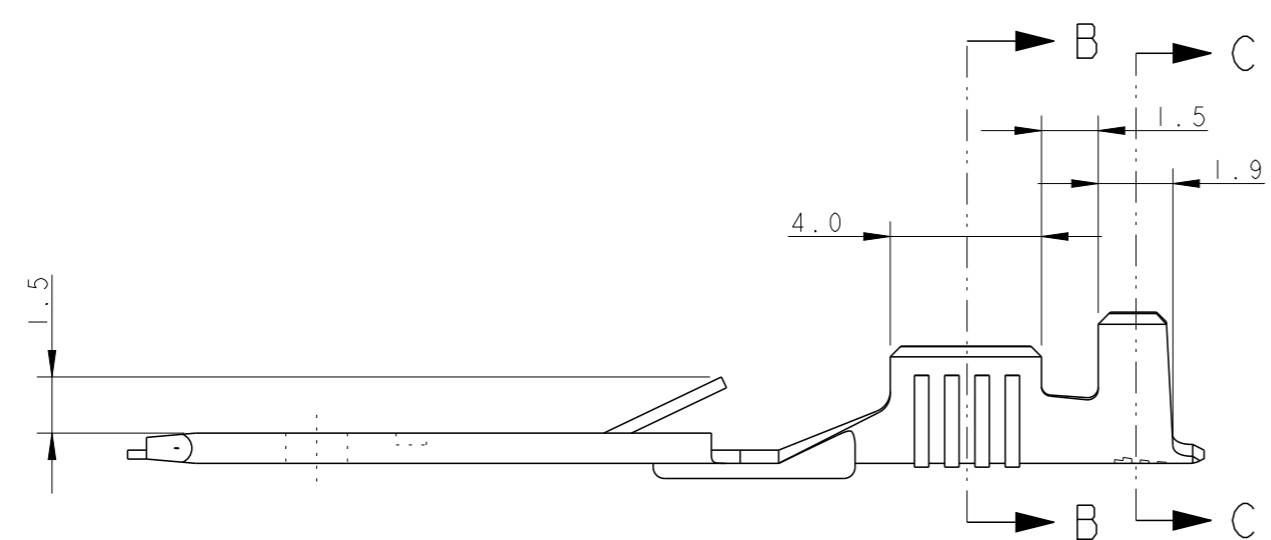
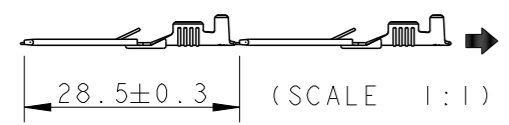


| LOC | DIST | REVISIONS | | | | | |
|-----|------|-----------|-----|----------------------------------|-----------|-----|------|
| | | P | LTR | DESCRIPTION | DATE | DWN | APVD |
| 1 | - | B3 | | REVISED PER ECO-11-005301 | 28MAR2011 | RK | HMR |
| | | B4 | | NEW PNs WITHOUT INTERLEAVE ADDED | 20MAY2013 | PKS | RRP |
| | | C | | PLATING INFO CORRECTED FOR 3- -2 | 17JUN2013 | PKS | RRP |

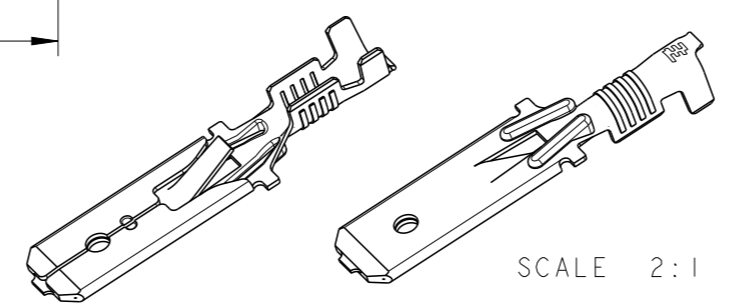


| | | | |
|--------------|---------------------------|-------------------|----------------------|
| | PRE-STAGNATO (PRE-TINNED) | OTTONE (BRASS) | 3-293041-2 |
| | NUDO (PLAIN) | OTTONE (BRASS) | 3-293041-1 |
| | PRE-STAGNATO (PRE-TINNED) | OTTONE (BRASS) | 2-293041-2 |
| | NUDO (PLAIN) | OTTONE (BRASS) | 2-293041-1 |
| | PRE-STAGNATO (PRE-TINNED) | OTTONE (BRASS) | 1-293041-2 |
| | NUDO (PLAIN) | OTTONE (BRASS) | 1-293041-1 |
| | PRE-STAGNATO (PRE-TINNED) | OTTONE (BRASS) | 0-293041-2 |
| | NUDO (PLAIN) | OTTONE (BRASS) | 0-293041-1 |
| NOTE (NOTES) | VERSIONI (VERSIONS) | FINITURA (FINISH) | MATERIALE (MATERIAL) |
| | | | NUMERO (TE P/N) |

1) STATO DI FORNITURA (SUPPLY CONDITION, Scala 1:1)



SENSO DI USCITA DEL TERMINALE DALLA BOBINA (DIRECTION OFF TOP OF REEL)



- 2) BOBINATO SU BOBINA 12" CON CARTA INTERPOSTA (REELED ON 12" CARTON TYPE REEL WITH INTERLEAVE PAPER STRIP)
- 3) SPLICING STRIP PRODUCT BY SPOT WELDING PERMITTED

- 4 VERSIONI CON FORO (VERSION WITH HOLE)
- 5 REELED WITHOUT INTERLEAVE PAPER

THIS DRAWING IS A CONTROLLED DOCUMENT.

| | |
|--------------------|--|
| DIMENSIONS: mm | TOLERANCES UNLESS OTHERWISE SPECIFIED: |
| | 0 PLC ±- |
| | 1 PLC ±0.3 |
| | 2 PLC ±- |
| | 3 PLC ±- |
| | 4 PLC ±- |
| | ANGLES ±2° |
| MATERIAL SEE TABLE | FINISH SEE TABLE |

| | |
|----------------------------------|---------------------------|
| DIAM. ISOLANTE (INS. DIA. RANGE) | Ø2.3 mm MAX |
| RANGO FILO (WIRE RANGE) | 0.35-1.00 mm ² |

| | | | |
|----------------------------|---|-----------------|---------------------|
| DWN H. Yaali 04 JUL 2005 | STE TE Connectivity | | |
| CHK G. Turco | | | |
| APVD | NAME | | |
| PRODUCT SPEC 108-20020 | FASTIN-FASTON Connector, 6.3 mm SR. TAB CONTACT | | |
| APPLICATION SPEC 114-20119 | SIZE A3 | CAGE CODE 00779 | DRAWING NO C-293041 |
| WEIGHT | RESTRICTED TO | | |
| Customer Drawing | SCALE 5:1 | SHEET 1 OF 1 | REV C |

Mouser Electronics

Authorized Distributor

Click to View Pricing, Inventory, Delivery & Lifecycle Information:

[TE Connectivity:](#)

[2-293041-1](#)