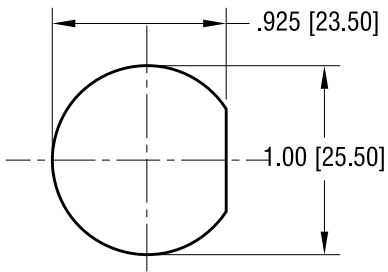
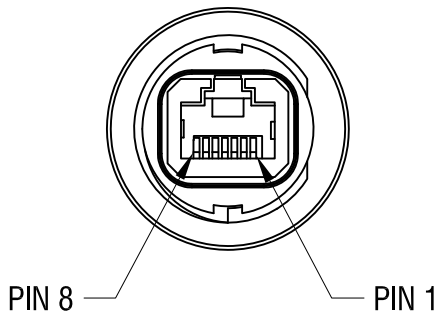
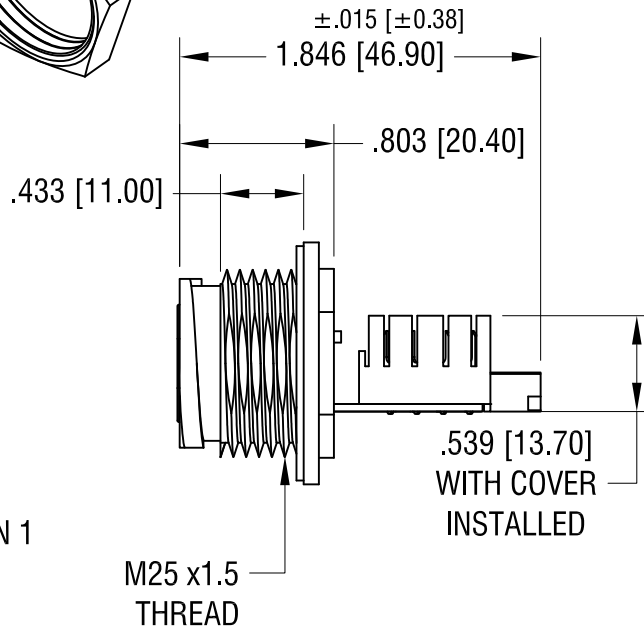
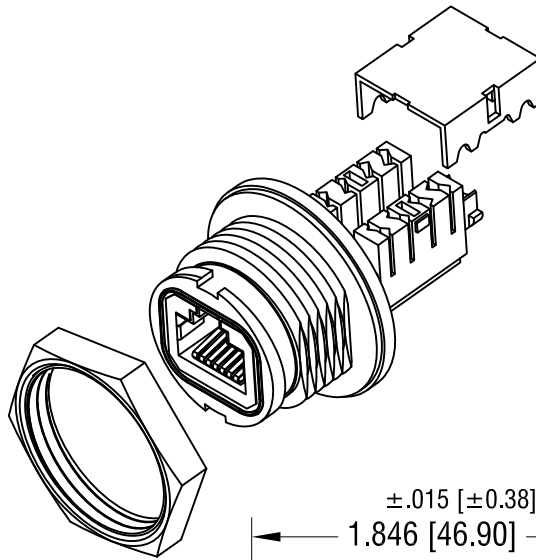


THIS DOCUMENT IS THE PROPERTY OF
KEYSTONE ELECTRONICS CORP. AND
SHALL NOT BE REPRODUCED, DISTRIBUTED
OR USED AS A BASIS FOR MANUFACTURE
WITHOUT PRIOR WRITTEN PERMISSION
FROM KEYSTONE ELECTRONICS CORP.

PANEL CUT



ACTUAL SIZE



NOTE:

1. HOUSING: MAT'L- HIGH. TEMP.. THERMOPLASTIC
UL 94V-0
2. CONTACT: MAT'L- PHOSPHOR BRONZE
FINISH ON SOLDER AREA: TIN PLATE, OVER NICKEL
FINISH ON CONTACT AREA: GOLD PLATE, OVER NICKEL
3. HEX. NUT 1.114 [28.30] x M25 x 1.5
AND COVER SUPPLIED UNASSEMBLED.

KEYSTONE ELECTRONICS CORP.

www.keyelco.com • ASTORIA, N.Y. 11105-2017 • Tel (718) 956-8900

PART NAME		WATER PROOF KEYSTONE JACK	
MATERIAL		AS NOTED	
FINISH	DRN BY	NT	DATE
-	APP'D	LN	11.22.16
TOLERANCES	INCH	[MM]	CODE
DECIMAL	± .010	[± 0.25]	DWG NO.
ANGULAR	± 1°		C
UNLESS OTHERWISE SPECIFIED			959

DATE	DESCRIPTION	REV.
------	-------------	------

Mouser Electronics

Authorized Distributor

Click to View Pricing, Inventory, Delivery & Lifecycle Information:

[Keystone Electronics:](#)

[959](#)