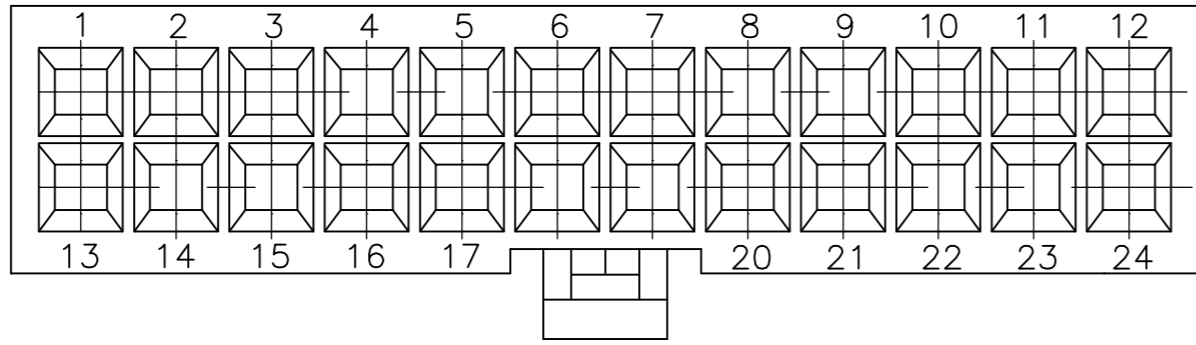
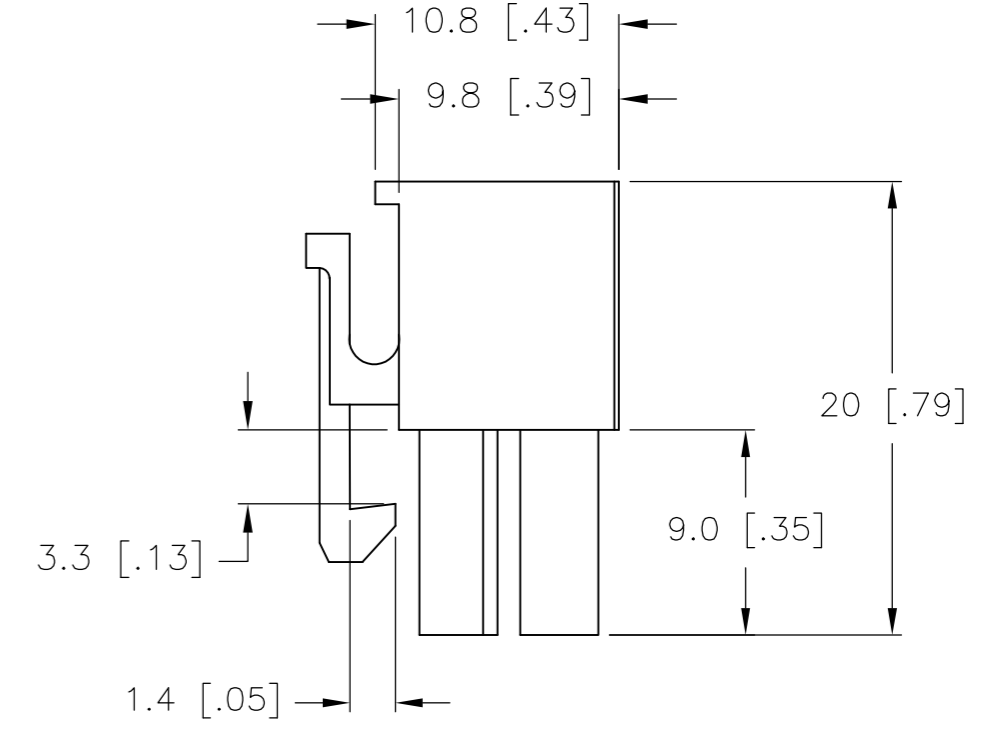
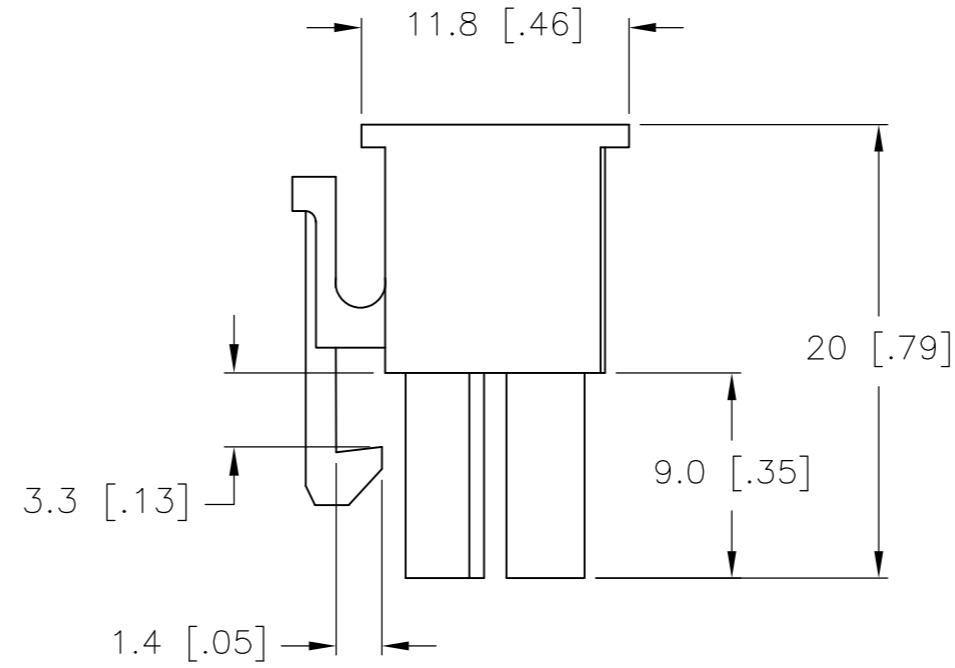
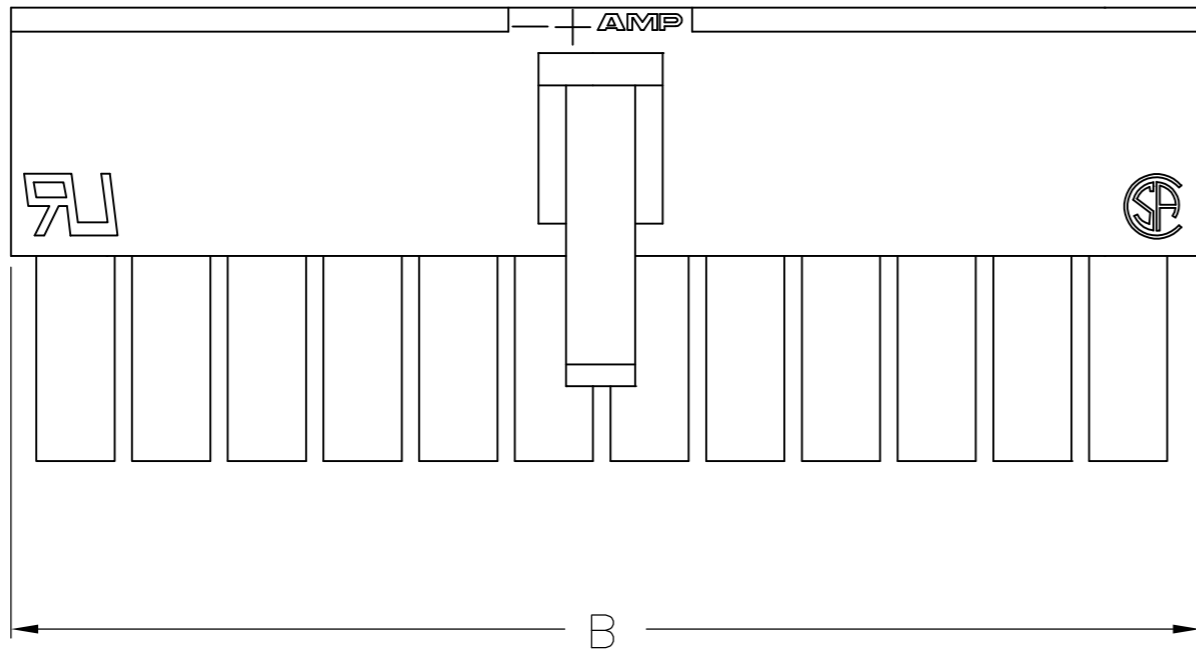


THIS DRAWING IS UNPUBLISHED. RELEASED FOR PUBLICATION
 © COPYRIGHT - By - ALL RIGHTS RESERVED.

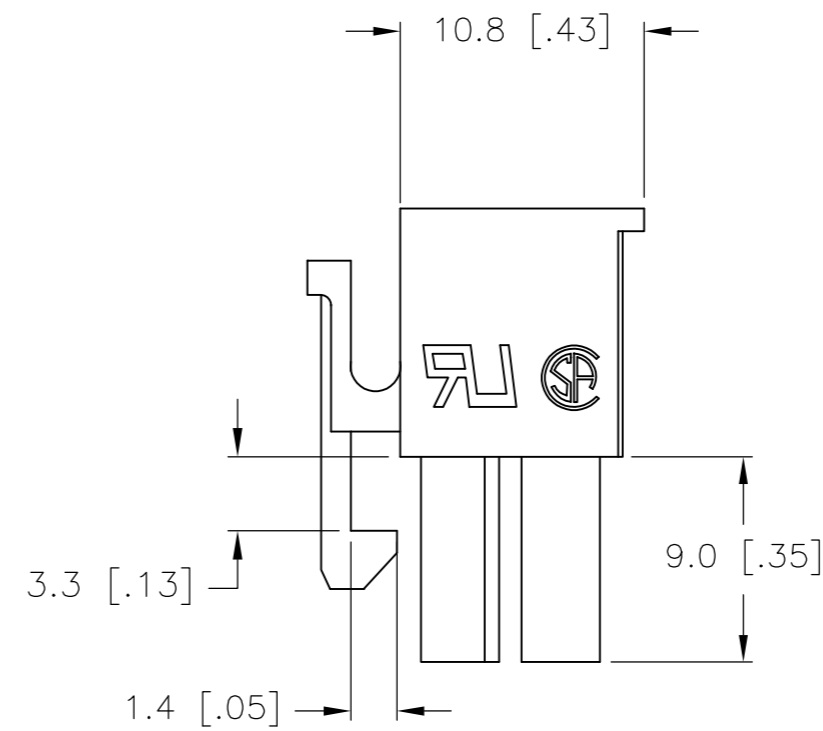
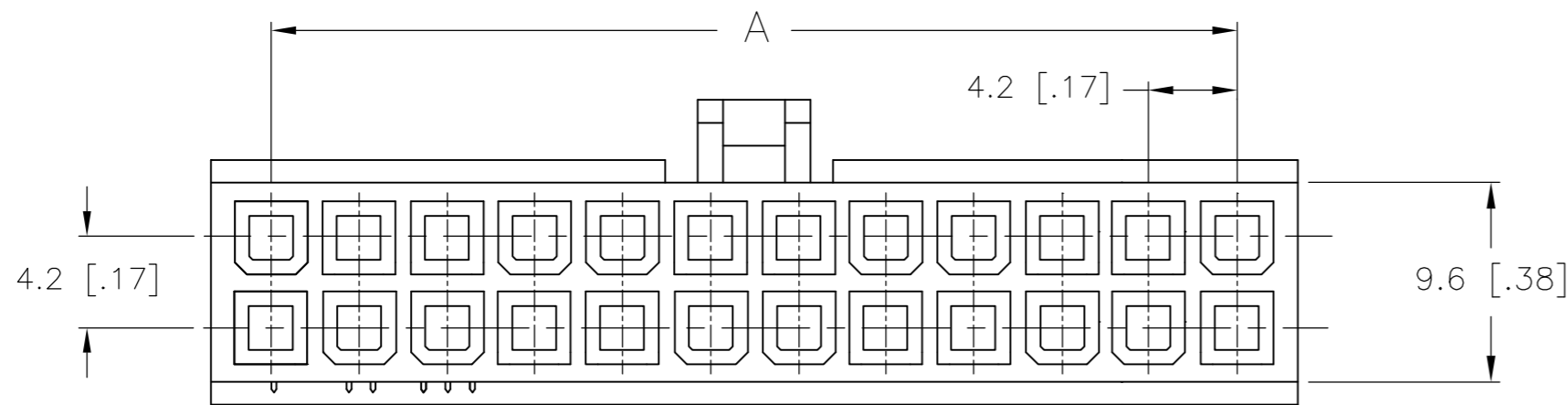
| LOC | | DIST | | REVISIONS | | | |
|-----|-----|-------------|---------------------------|-----------|-----------|------|----|
| P | LTR | DESCRIPTION | | DATE | DWN | APVD | |
| CM | 00 | C1 | REVISED PER ECR-15-018478 | | 07JAN2016 | NK | DC |



1 MATERIAL: NYLON, UL94V-0.



ONLY FOR 5-1586019-8



ONLY FOR 1586019-2

| | | | |
|-------|-------|------|-------------|
| 5.4 | - | 2 | 1586019-2 |
| 9.6 | 4.2 | 4 | 1586019-4 |
| 13.8 | 8.4 | 6 | 1586019-6 |
| 18.0 | 12.6 | 8 | 1586019-8 |
| 22.2 | 16.8 | 10 | 1-1586019-0 |
| 26.4 | 21.0 | 12 | 1-1586019-2 |
| 30.6 | 25.2 | 14 | 1-1586019-4 |
| 34.8 | 29.4 | 16 | 1-1586019-6 |
| 39.0 | 33.6 | 18 | 1-1586019-8 |
| 43.2 | 37.8 | 20 | 2-1586019-0 |
| 47.4 | 42.0 | 22 | 2-1586019-2 |
| 51.6 | 46.2 | 24 | 2-1586019-4 |
| 18.0 | 12.6 | 8 | 5-1586019-8 |
| DIM B | DIM A | POS. | PART NUMBER |

| | | | | | |
|--|--|------------------|-------------|------------|---------------------------------------|
| THIS DRAWING IS A CONTROLLED DOCUMENT. | | DWN | 19-AUG-2002 | | |
| DIMENSIONS: | | CHK | 19-AUG-2002 | | |
| mm [INCHES] | | APVD | 19-AUG-2002 | | |
| TOLERANCES UNLESS OTHERWISE SPECIFIED: | | PRODUCT SPEC | 108-2112 | | |
| 0 PLC ± | | APPLICATION SPEC | 114-13172 | NAME | RECEPTACLE HOUSING, VO, VAL-U-LOK(TM) |
| 1 PLC ± 0.4 [.02] | | WEIGHT | | SIZE | A2 |
| 2 PLC ± 0.25 [.010] | | CAGE CODE | 00779 | DRAWING NO | C=1586019 |
| 3 PLC ± 0.150 [.0059] | | RESTRICTED TO | | SCALE | 3:1 |
| 4 PLC ± | | SHEET | 1 OF 1 | REV | C1 |
| ANGLES ± | | CUSTOMER DRAWING | | | |
| FINISH | | | | | |
| 1 | | | | | |

Mouser Electronics

Authorized Distributor

Click to View Pricing, Inventory, Delivery & Lifecycle Information:

[TE Connectivity:](#)

[1586019-6](#)