

4

3

2

1

THIS DRAWING IS UNPUBLISHED.

RELEASED FOR PUBLICATION

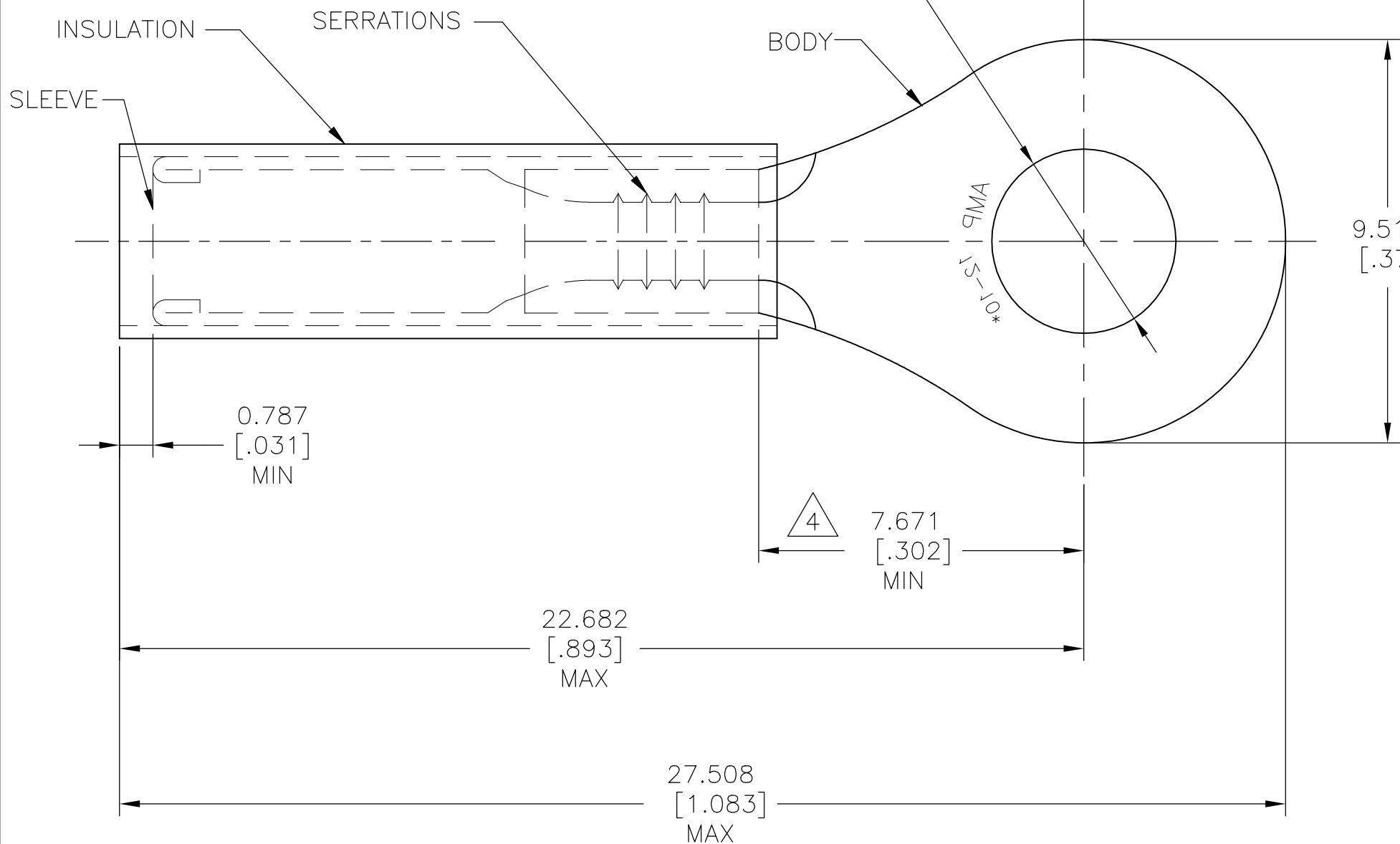
REVISIONS

© COPYRIGHT - By -

ALL RIGHTS RESERVED.

P	LTR	DESCRIPTION	DATE	DWN	APVD
J4		REVISED PER ECO-15-016493	26NOV2015	NK	DR
J5		REVISED PER ECO-17-016703	27MAR2018	RS	DR

∅"A"±0.076[.003]
(FOR "B" STUD)



- 1 BODY: COPPER ASTM B152
NICKEL PL SAE AMS QQ-N-290
0.0076 [.0003] AVG. EXT. THK
SLEEVE: COPPER ASTM B152
NICKEL PL SAE AMS QQ-N-290
0.00076 [.00003] AVG EXT. THK
- 2 FOR 2.591[.102] TO 5.436[.214]
WIRE INSULATION DIA.
- 3 BODY MATERIAL THK:0.991±0.051 [.039±.002]
- 4 DIMENSION APPLIES FROM EDGE OF
METAL WIRE BARREL TO CENTER OF
STUD HOLE

1000	5.004[.197]	#10	PTFE (ASTM D3295) COLOR: BLACK	LOOSE PIECE	50845-2
1000	4.343[.171]	M4[#8]		LOOSE PIECE	50845-1
1000	3.683[.145]	M3.5[#6]		LOOSE PIECE	50845
QTY	"A"	"B"	INSULATION MATERIAL	PACKAGE TYPE	PART NO.

AMP INCORPORATED
CUSTOMER SERVICE SYSTEMS

MAX RECOMMENDED OPERATING
TEMPERATURE:
288°C [550°F]

THIS DRAWING IS A CONTROLLED DOCUMENT.

DWN 13OCT2015
NAGALAKSHMI K
CHK 13OCT2015
MERCURIO MAURIZIO
APVD 13OCT2015
MERCURIO MAURIZIO

STE TE Connectivity Ltd.

FOR ADDITIONAL
PRODUCT INFORMATION OR
COPIES OF DRAWINGS
AND TECHNICAL DOCUMENTS

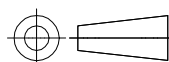
PRODUCT INFORMATION CENTER
1-800-522-6752

VOLTAGE RATING:
300V MAX

DIMENSIONS:
mm [INCHES]

TOLERANCES UNLESS
OTHERWISE SPECIFIED:

0 PLC	± -
1 PLC	± -
2 PLC	± -
3 PLC	± 0.127[.005]
4 PLC	± -
ANGLES	± 5°



PRODUCT SPEC
—

APPLICATION SPEC
—

NAME
WIRE TERMINAL
PIDG, STRATO-THERM, RING TONGUE
WIRE SIZE:12-10, AWG

FOR APPLICATION
TOOLING INFORMATION

TOOLING ASSISTANCE CENTER
1-800-722-1111

CIRCULAR MIL AREA:
2.62-6.64mm²[5,180-13,100]
STRANDED WIRE ONLY

MATERIAL
1
SEE TABLE

FINISH
1
SEE TABLE

WEIGHT

SIZE	CAGE CODE	DRAWING NO	RESTRICTED TO
A3	00779	C-50845	—

FOR ORDER ENTRY
1-800-526-5142

CUSTOMER DRAWING

SCALE NTS SHEET 1 OF 1 REV J5

Mouser Electronics

Authorized Distributor

Click to View Pricing, Inventory, Delivery & Lifecycle Information:

[TE Connectivity:](#)

[50845-2](#)