

4

3

2

1

THIS DRAWING IS UNPUBLISHED.

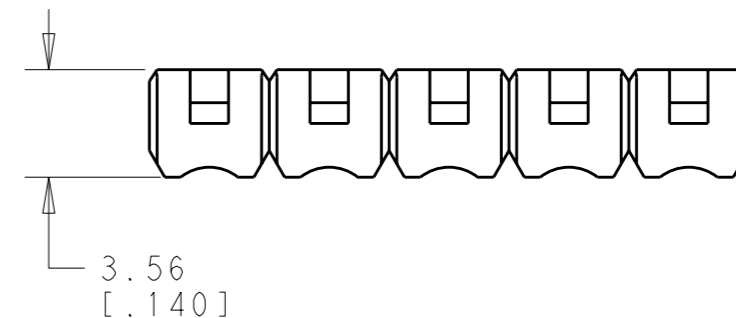
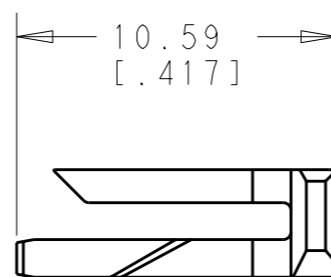
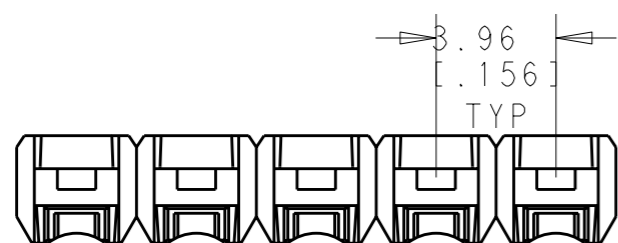
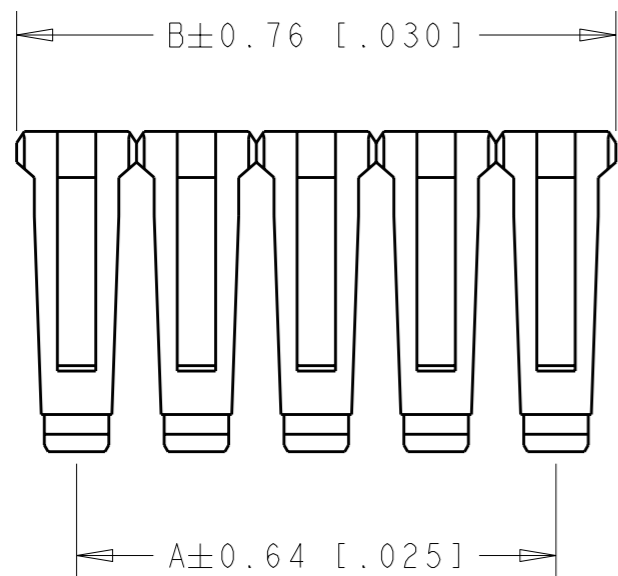
RELEASED FOR PUBLICATION

20

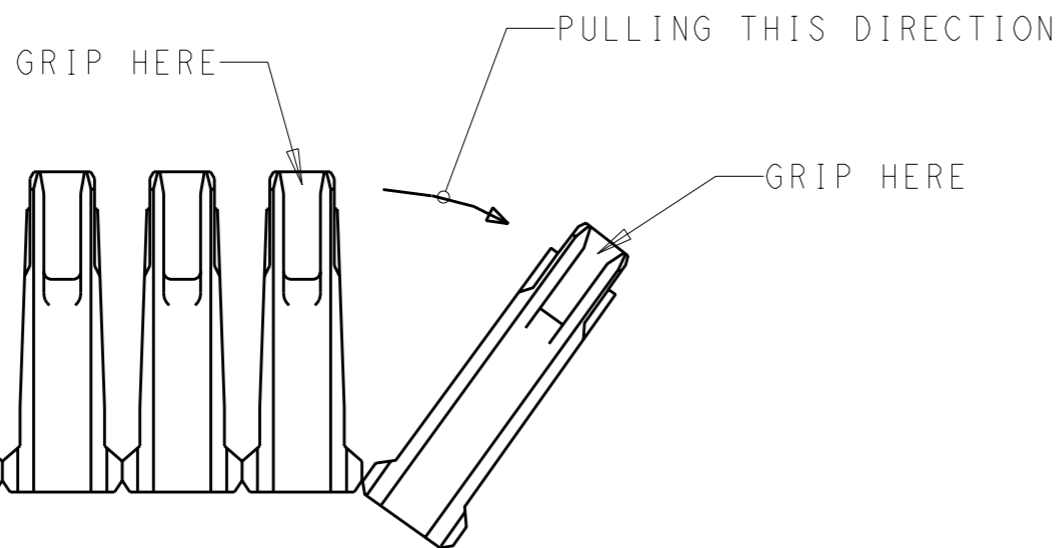
© COPYRIGHT 20

BY TYCO ELECTRONICS CORPORATION. ALL INTERNATIONAL RIGHTS RESERVED.

LOC	DIST	REVISIONS				
P	LTR	DESCRIPTION	DATE	DWN	APVD	
AF	-	A1	REV PER ECO 11-000054	03JAN11	JR	SM



- PART TO BE BROKEN AS SHOWN TO FIT 2 THRU 12 POSITION HOUSINGS.
- GOES WITH HOUSING P/N 2132189-X
- BOW IS ACCEPTABLE



BREAK HOUSINGS AS SHOWN

79.25 [3.120]	75.28 [2.964]	2-2132074-0
DIM B	DIM A	PART NO.

DIMENSIONS: mm [INCHES]		TOLERANCES UNLESS OTHERWISE SPECIFIED:		DWN JR RUTH 17DEC2010		Tyco Electronics Tyco Electronics Corporation Harrisburg, PA 17105-3608			
	0 PLC	±		CHK	SAM MACE 17DEC2010	NAME SL-156, CONTACT RETAINER			
	1 PLC	±	.1	APVD	-				
	2 PLC	±	0.25 [.010]	PRODUCT SPEC	-				
	3 PLC	±		APPLICATION SPEC	-				
	4 PLC	±		WEIGHT	-				
MATERIAL NYLON		FINISH BLACK		CUSTOMER DRAWING		SIZE A3	CAGE CODE 00779	DRAWING NO C-2132074	RESTRICTED TO -
						SCALE 4:1	SHEET 1	OF 1	REV A1

Mouser Electronics

Authorized Distributor

Click to View Pricing, Inventory, Delivery & Lifecycle Information:

[TE Connectivity:](#)

[2-2132074-0](#)