

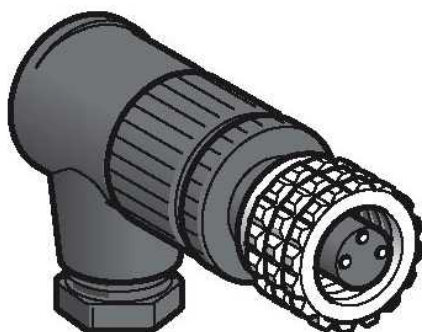
Product data sheet

Characteristics

XZCC8FCM30V

female, M8, 3-pin, elbowed connector - cable gland M9.5 x 1

Product availability: Non-Stock - Not normally stocked in distribution facility



Main

Commercial Status	Commercialised
Accessory / separate part category	Cabling accessories
Accessory / separate part type	Connector
Electrical connection	Elbowed female connector M8, 3 pins
Collar material	Metal
Status LED	Without
Cable connection	Vampire clip / wire size $\leq 0 \text{ in}^2$ (0.25 mm ²) / clamping capacity $\leq 0.2 \text{ in}$ (5 mm)

Complementary

Cable gland type	M9.5
Cable connector fixing	Screw-on
[Ue] rated operational voltage	75 V DC 60 V AC
[In] rated current	4 A
Enclosure material	Plastic
Insulating resistance	$> 1 \text{ G}\Omega$
Contact resistance	$\leq 10000 \mu\text{Ohm}$
Product weight	0.02 lb(US) (0.01 kg)

Environment

IP degree of protection	IP67
Ambient air temperature for operation	-13...158 °F (-25...70 °C)

Ordering and shipping details

Category	22483 - MACHINE CABLES
Discount Schedule	DS3
GTIN	003389110834567
Nbr. of units in pkg.	1
Package weight(Lbs)	0.02
Product availability	Non-Stock - Not normally stocked in distribution facility
Returnability	N
Country of origin	DE

Offer Sustainability

Sustainable offer status	Not Green Premium product
RoHS	Compliant - since 0726 - Schneider Electric declaration of conformity

Contractual warranty

Period	18 months
--------	-----------

Mouser Electronics

Authorized Distributor

Click to View Pricing, Inventory, Delivery & Lifecycle Information:

[Schneider Electric:](#)

[XZCC8FCM30V](#)