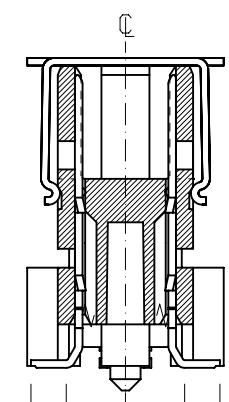
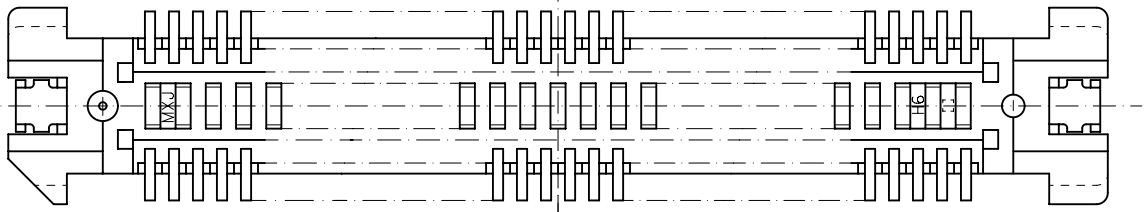
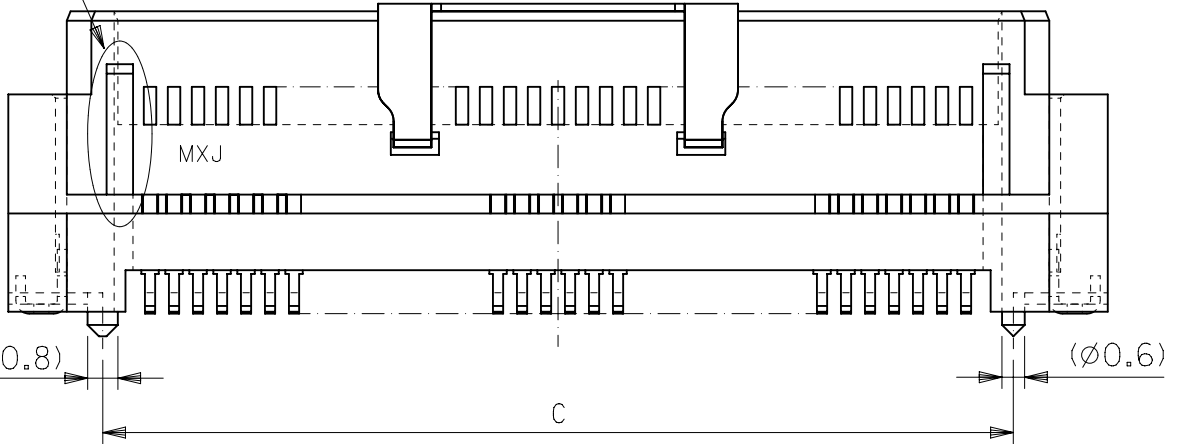
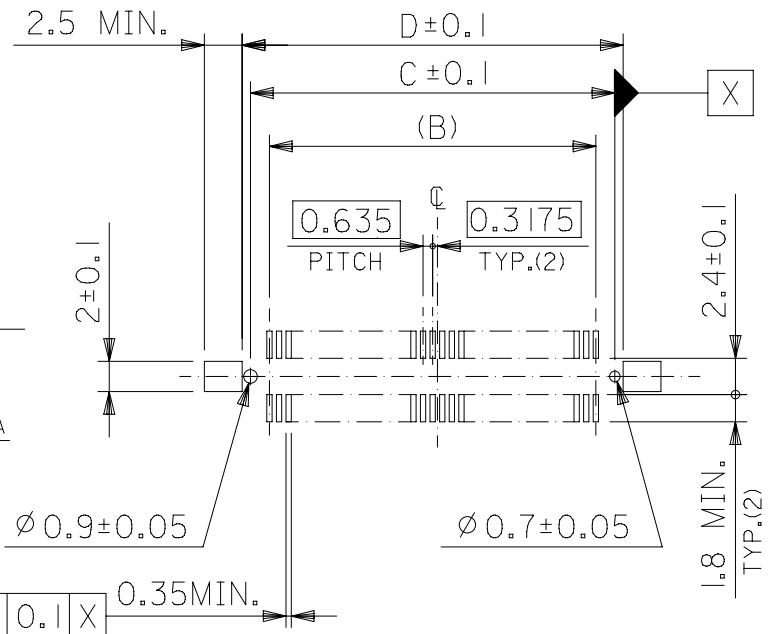
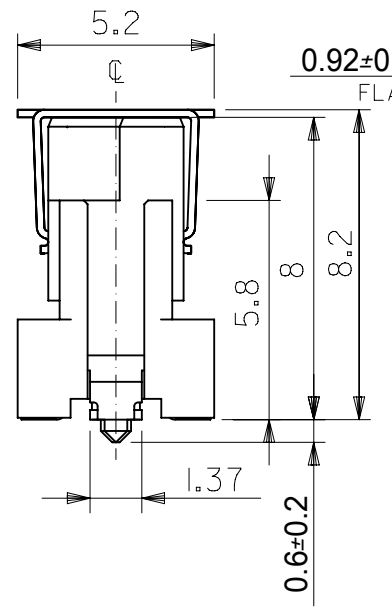


ハウジングロック (表参照)  
HSG LOCK (SEE TABLE)



半田付け部詳細図  
DETAIL FOR SOLDERING AREA



推奨基板寸法  
RECOMMENDED PCB PATTERN LAYOUT  
(SCALE:2-1)

注)  
NOTES

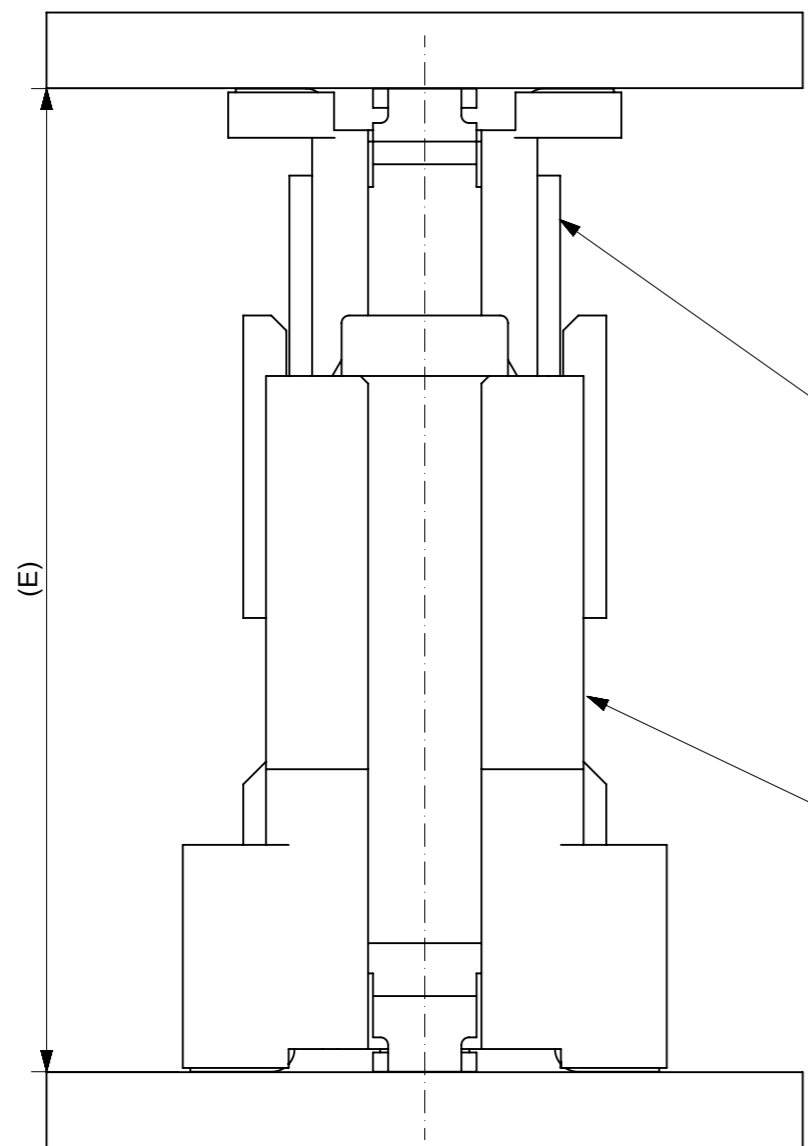
1.材質  
MATERIAL  
ハウジング: ガラス入りPPS、茶色、UL94V-0  
HOUSING: G.F.PPS, BROWN, UL94V-0  
ターミナル: 銅合金 (t=0.2)  
TERMINAL: COPPER ALLOY  
フィッティングネール: 銅合金 (t=0.2)  
FITTING NAIL: COPPER ALLOY  
吸着カバー: ステンレス (t=0.2)  
VACUUM COVER: STAINLESS STEEL

3.テールのバラツキ寸法  
TAIL COPLANARITY  
テール平坦度は、0.1MAX. とする。  
TAIL COPLANARITY TO BE 0.1MAX.  
4.本製品は 53649-\*\*\*2の鉛フリー品である。  
THIS PRODUCT IS LEAD FREE OF 53649-\*\*\*2

2.メッキ仕様  
PLATING  
ターミナル TERMINAL  
接点部 : 金メッキ 0.25µmMIN.  
CONTACT AREA: GOLD 0.25µmMIN.  
半田付け部 : 錫メッキ 1.0µmMIN.  
SOLDER TAIL AREA: TIN 1.0µmMIN.  
下地メッキ : ニッケルメッキ 1.5µmMIN.  
UNDER-PLATING: NICKEL 1.5µmMIN.  
フィッティングネール FITTING NAIL  
錫メッキ 1.0µmMIN.  
TIN 1.0µmMIN.  
下地メッキ : ニッケルメッキ 1.0µmMIN.  
UNDER-PLATING: NICKEL 1.0µmMIN.

無し WITHOUT	47.42	46.32	43.815	51.32	-	53649-1474	140
	34.72	33.62	31.115	38.62	53649-1074	-	100
	28.37	27.27	24.765	32.27	53649-0874	-	80
有り WITH	22.02	20.92	18.415	25.92	53649-0674	-	60
	15.67	14.57	12.065	19.57	53649-0474	-	40
	12.5	11.4	8.89	16.4	53649-0374	-	30
ハウジングロック HSG LOCK	D	C	B	A	エンボス梱包 EMBOSSED PACKAGE	スティック梱包 STICK PACKAGE	極数 CKT
						オーダー番号 ORDER NO.	

GENERAL TOLERANCES (UNLESS SPECIFIED)		THIS DRAWING CONTAINS INFORMATION THAT IS PROPRIETARY TO MOLEX ELECTRONIC TECHNOLOGIES, LLC AND SHOULD NOT BE USED WITHOUT WRITTEN PERMISSION		CURRENT REV DESC:				
10 UNDER	± 0.2	DIMENSION UNITS	SCALE	GENERAL TOLERANCES (UNLESS SPECIFIED)				
10 OVER 30 UNDER	± 0.25	mm	-	ANGULAR TOL ± 30°		PRODUCT CUSTOMER DRAWING		
30 OVER	± 0.3	GENERAL TOLERANCES (UNLESS SPECIFIED)		4 PLACES ± 0.2		DOCUMENT NUMBER		
ANGULAR ± 3°		GENERAL TOLERANCES (UNLESS SPECIFIED)		3 PLACES ± 0.25		SD-53649-004		
DRAFT WHERE APPLICABLE MUST REMAIN WITHIN DIMENSIONS		GENERAL TOLERANCES (UNLESS SPECIFIED)		2 PLACES ± 0.3		DOC TYPE DOC PART REVISION		
		GENERAL TOLERANCES (UNLESS SPECIFIED)		1 PLACE ±		PSD 001 H		
		GENERAL TOLERANCES (UNLESS SPECIFIED)		0 PLACES ±		MATERIAL NUMBER CUSTOMER SHEET NUMBER		
		DRAFT WHERE APPLICABLE MUST REMAIN WITHIN DIMENSIONS		THIRD ANGLE PROJECTION		SEE CHART GENERAL MARKET 1 OF 2		
		DRAFT WHERE APPLICABLE MUST REMAIN WITHIN DIMENSIONS		DRAWING				
		DRAFT WHERE APPLICABLE MUST REMAIN WITHIN DIMENSIONS		SERIES				
		DRAFT WHERE APPLICABLE MUST REMAIN WITHIN DIMENSIONS		B-SIZE				
		DRAFT WHERE APPLICABLE MUST REMAIN WITHIN DIMENSIONS		53649				



55091 series  
53625 series  
53647 series  
53649 series  
53627 series  
Plug

52885 series  
52901 series  
Receptacle

嵌合高さ一覧 Stacking Height variation			
	6	52885 series	55091 series
	7		53625 series
	8		53647 series
○	9		53649 series
	10		53627 series
	12	52901 series	55091 series
	13		53625 series
	14		53647 series
○	15		53649 series
	16		53627 series
本図製品該当高さ Height Application	嵌合高さ E Stacking Height	リセプタクル Receptacle	プラグ Plug

GENERAL TOLERANCES (UNLESS SPECIFIED)		THIS DRAWING CONTAINS INFORMATION THAT IS PROPRIETARY TO MOLEX ELECTRONIC TECHNOLOGIES, LLC AND SHOULD NOT BE USED WITHOUT WRITTEN PERMISSION	
10 UNDER	± 0.2	DIMENSION UNITS	SCALE
10 OVER 30 UNDER	± 0.25	mm	-
30 OVER	± 0.3	CURRENT REV DESC:	
ANGULAR	± 3 °	EC NO: 603307	
DRAFT WHERE APPLICABLE MUST REMAIN WITHIN DIMENSIONS		DRWN: RMIYAMOTO 2018/08/21	
		CHK'D: KSASAKI 2018/08/24	
		APPR: RTAKEUCHI 2018/08/24	
		INITIAL REVISION:	
		DRWN: MNABEI 2004/03/04	
		APPR: MSASAO 2004/03/08	
		THIRD ANGLE PROJECTION	DRAWING
			A3-SIZE
		SERIES	MATERIAL NUMBER
		53649	SEE CHART
		CUSTOMER	SHEET NUMBER
		GENERAL MARKET	2 OF 2

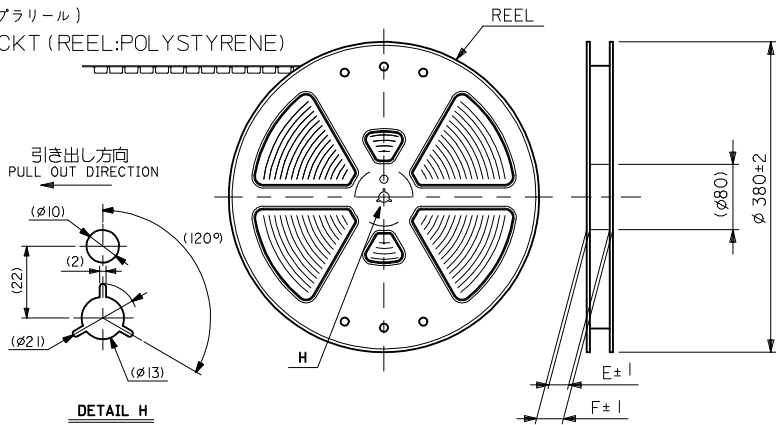
**molex**

0.635 B/B CONN.  
PLUG HS'G COVER ASS'Y -LEAD FREE-

PRODUCT CUSTOMER DRAWING

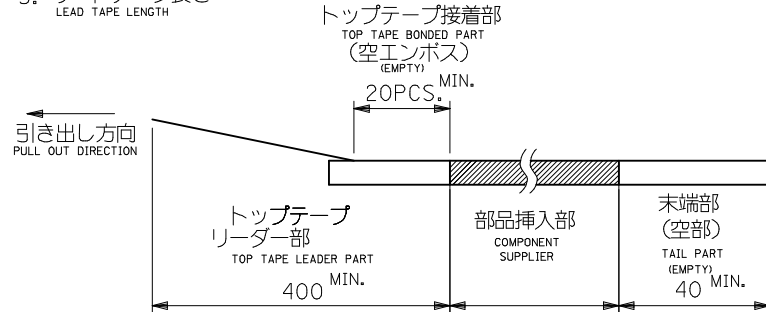
DOCUMENT NUMBER: SD-53649-004  
DOC TYPE: PSD  
DOC PART: 001  
REVISION: H

140極に対応(ブラリール)  
FOR 140 CKT (REEL:POLYSTYRENE)



注)  
NOTES

- 製品番号 53649-\*\*\*72 の詳細寸法については、SD-53649-004 を参照下さい。  
IN THE PACKAGE , PART NO. 53649-\*\*\*72 DETAILED DIMENSIONS , SEE SD-53649-004
- 梱包数量 : 760 個/リール  
NUMBER OF CONNECTORS : 760 PCS/REEL
- リードテープ長さ  
LEAD TAPE LENGTH



- トップテープの剥離強度 (剥離方向は下図参照)

PEELING OFF FORCE OF TOP TAPE (PEELING DIRECTION AS SHOWN IN FOLLOWING FIG.)

0.1 - 1.3 N (30,40,60,80,100CKT)

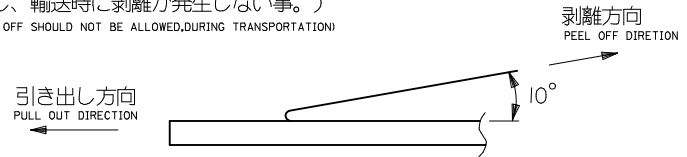
0.1 - 1.5 N (140CKT)

尚、本規格値は、出荷時に適用。

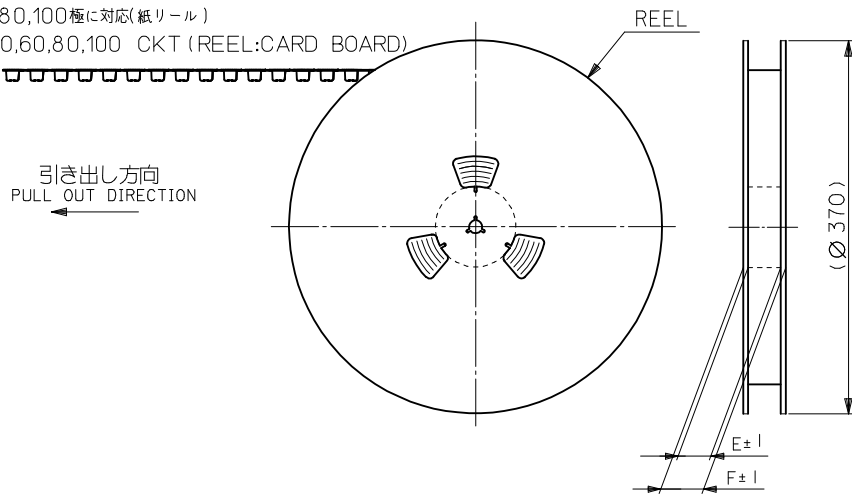
THIS REQUIREMENT SHOULD BE APPLIED AT SHIPMENT

(但し、輸送時に剥離が発生しない事。)

(PEEL OFF SHOULD NOT BE ALLOWED,DURING TRANSPORTATION)



30,40,60,80,100極に対応(紙リール)  
FOR 30,40,60,80,100 CKT (REEL:CARD BOARD)



- 材料

MATERIAL

キャリアテープ : ポリプロピレン (PP)

CARRIER TAPE : POLYPROPYLENE (PP)

トップテープ : PET, PE, PEF

TOP TAPE : PET, PE, P-F

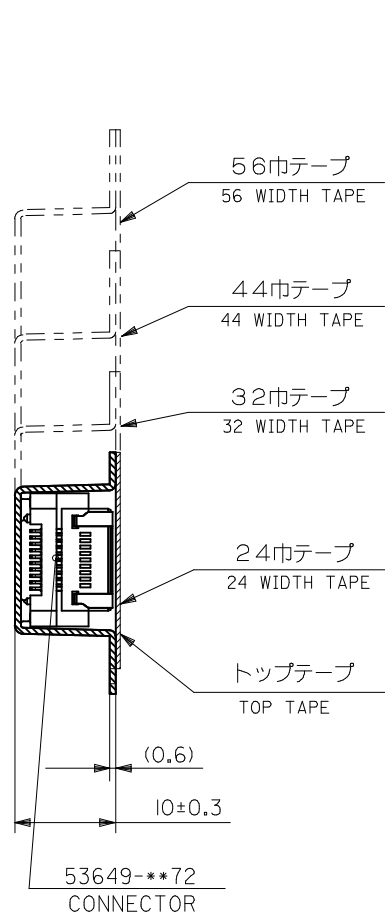
リール : 紙 (30,40,60,80,100極) ポリスチレン (140極)

REEL : CARDBOARD(FOR 30,40,60,80,100CKT) POLYSTYRENE(140CKT)

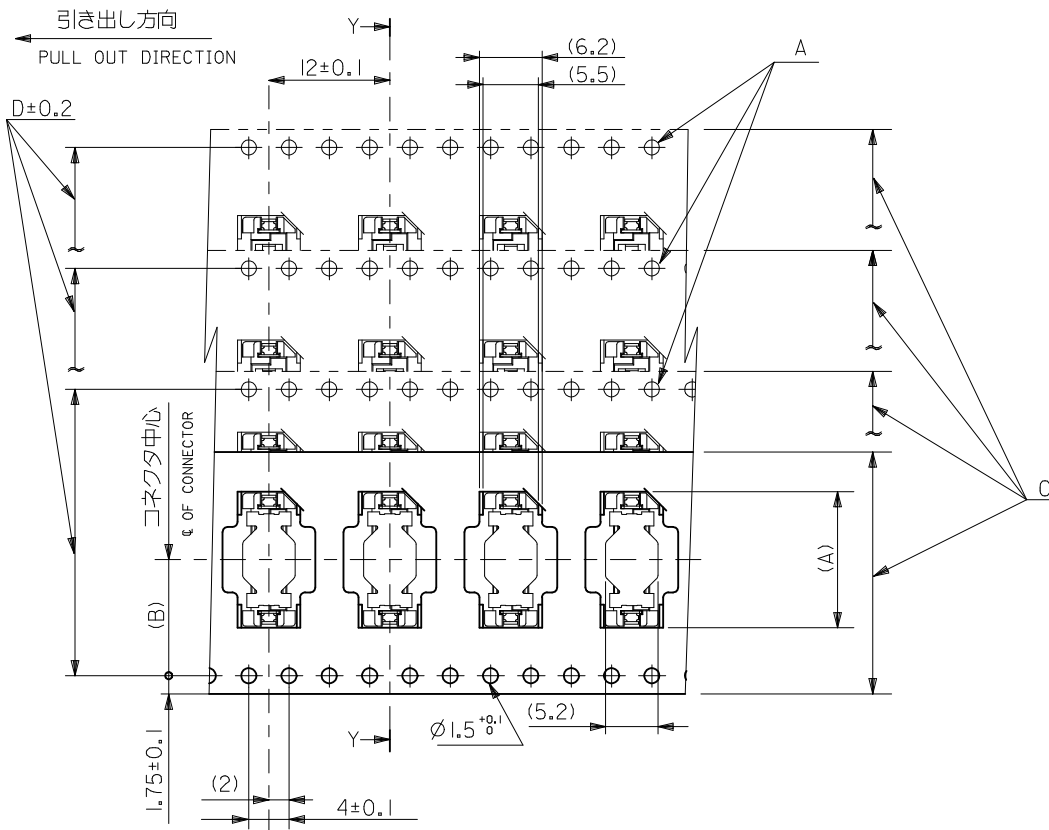
- 本製品は 53649-\*\*\*4 の鉛フリー品である。

THIS PRODUCT IS LEAD FREE OF 53649-\*\*\*4

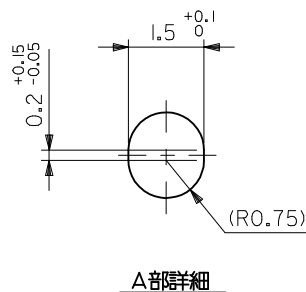
REVISED		GENERAL TOLERANCES (UNLESS SPECIFIED)		DIMENSION STYLE		SCALE	DESIGN UNITS	THIRD ANGLE PROJECTION	
EC NO.	DATE	DESCRIPTION		MM ONLY		---	METRIC		
J2013-1013	2013/03/14	DRWK:TOYODA	10 UNDER	± ---	DRAWN BY	DATE	TITLE	EMBOSSED TAPE PACKAGE FOR 53649-***72 -LEAD FREE- <b>molex</b>	
	2013/03/15	CHKD:TASAKAWA	10 OVER 30 UNDER	± ---	M. NABE I	'04/02/25			
	2013/03/27	APPR:MSASAO	30 OVER	± ---	CHECKED BY	DATE			
					K. TOJO	'04/02/25			
					APPROVED BY	DATE			
			ANGULAR	± --- °	M. SASAO	'04/02/25			
			DRAFT WHERE APPLICABLE MUST REMAIN WITHIN DIMENSIONS		MATERIAL NO.		DOCUMENT NO.	SHEET NO.	
					SEE CHART		SD-53649-005	1 OF 2	
					SIZE	THIS DRAWING CONTAINS INFORMATION THAT IS PROPRIETARY TO MOLEX INCORPORATED AND SHOULD NOT BE USED WITHOUT WRITTEN PERMISSION			
					A3				



断面 Y-Y  
SECTION Y-Y



累積ピッチ : 40±0.2  
ACCUMULATIVE  
PITCH : 40±0.2



78.1	73.5	68.4	72 <sup>+0.3</sup>	34.2	51.6	53649-1474	140
61.4	57.4	52.4	56 <sup>+0.3</sup>	26.2	38.9	53649-1074	100
49.4	45.4	40.4	44 <sup>+0.3</sup>	20.2	32.6	53649-0874	80
37.4	33.4	28.4	32 <sup>+0.3</sup>	14.2	26.2	53649-0674	60
29.4	25.4	#	24 <sup>+0.3</sup>	11.5	19.9	53649-0474	40
F	E	D	C	キャリアテープ幅 CARRIER TAPE WIDTH	(B)	(A)	MATERIAL NO.
MODEL NO. 53649-**74							極数 NO. OF CXTS.

REVISED EC NO: J2013-1013 DRW:KTOYODA 2013/03/14 CHK:D.TASAKAWA 2013/03/14 APPR:MSASAO 2013/03/27	GENERAL TOLERANCES (UNLESS SPECIFIED)		DIMENSION STYLE MM ONLY		SCALE ---	DESIGN UNITS METRIC	THIRD ANGLE PROJECTION	
	10 UNDER	± ---	DRAWN BY M. NABEI	DATE '04/02/25	TITLE EMBOSSED TAPE PACKAGE FOR 53649-**72 -LEAD FREE-			
	10 OVER 30 UNDER	± ---	CHECKED BY K. TOJO	DATE '04/02/25				
	30 OVER	± ---	APPROVED BY M. SASAO	DATE '04/02/25				
ANGULAR ± --- °	DRAFT WHERE APPLICABLE MUST REMAIN WITHIN DIMENSIONS		MATERIAL NO. SEE CHART		DOCUMENT NO. SD-53649-005	SHEET NO. 2 OF 2		
THIS DRAWING CONTAINS INFORMATION THAT IS PROPRIETARY TO MOLEX INCORPORATED AND SHOULD NOT BE USED WITHOUT WRITTEN PERMISSION								