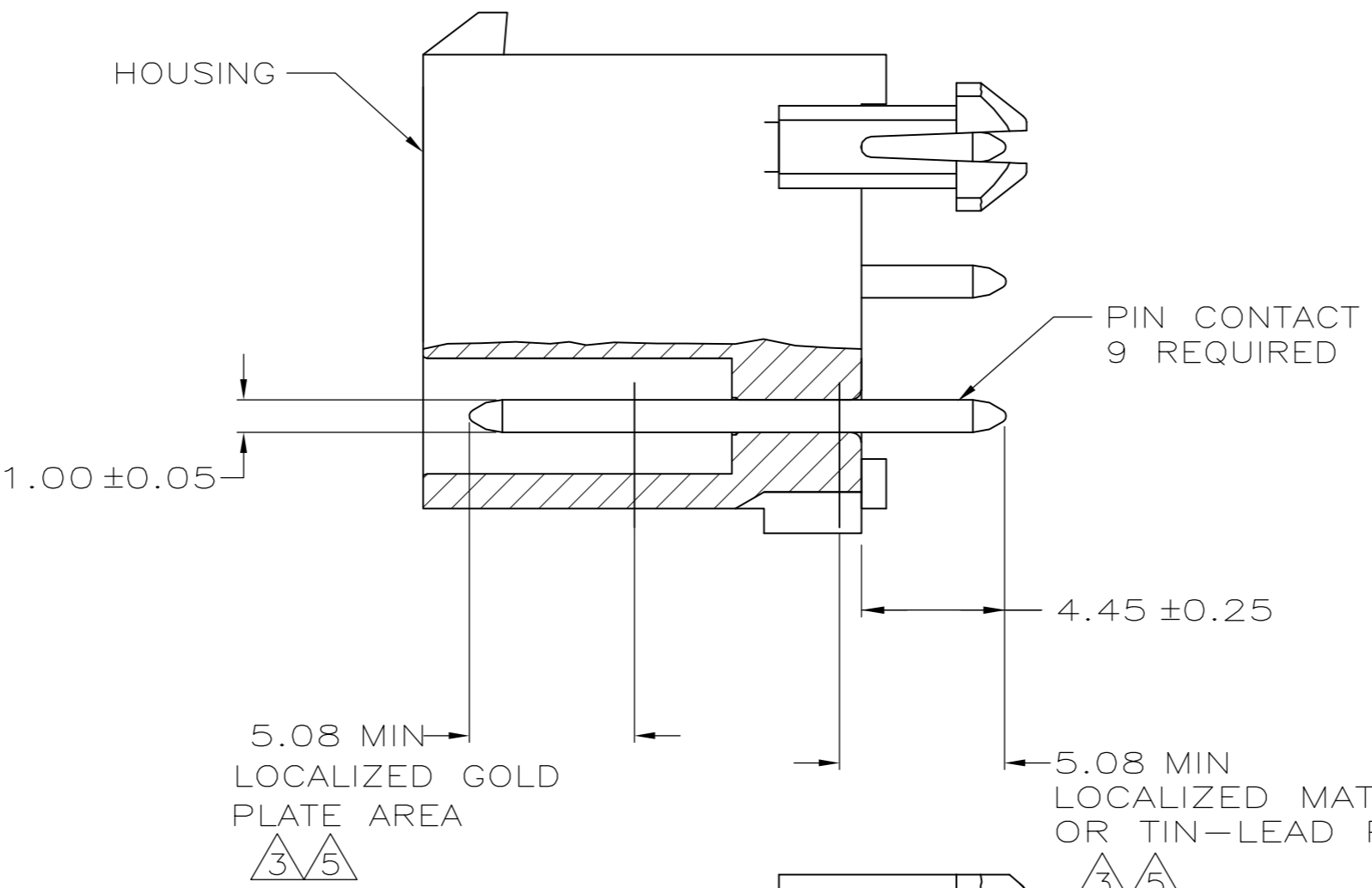
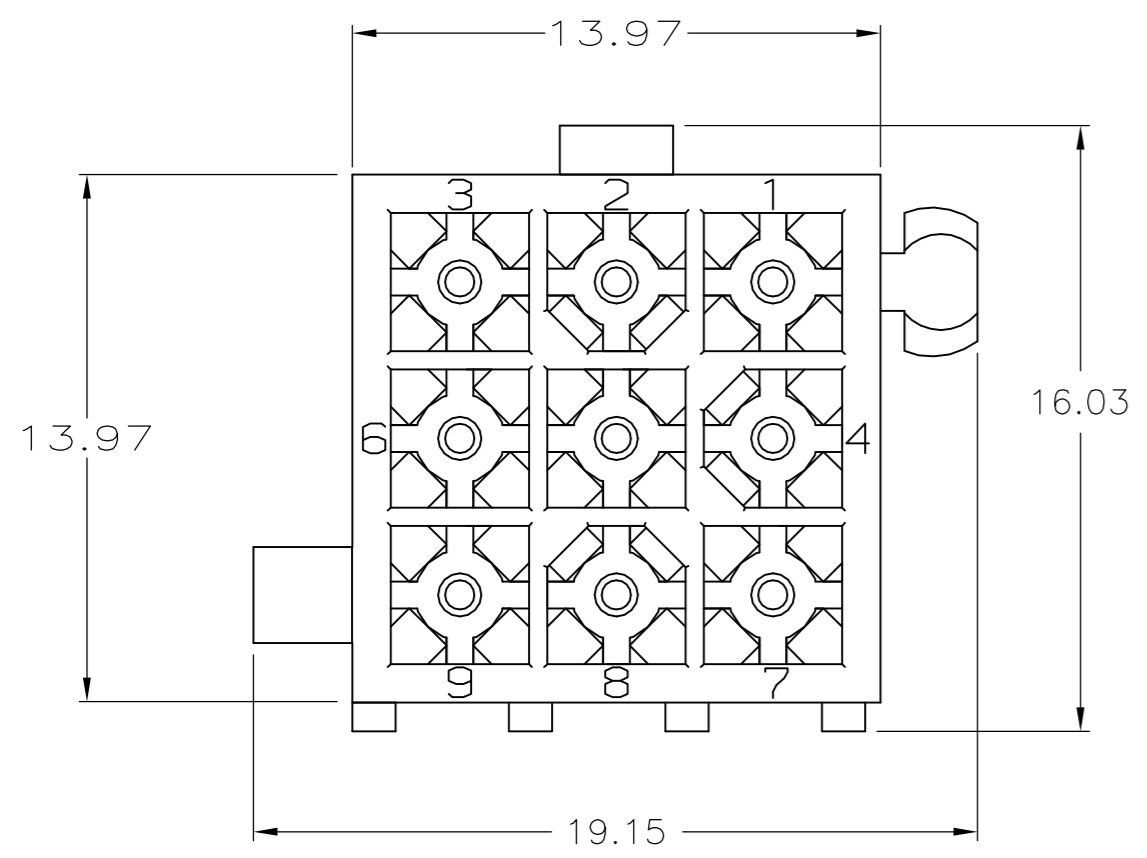
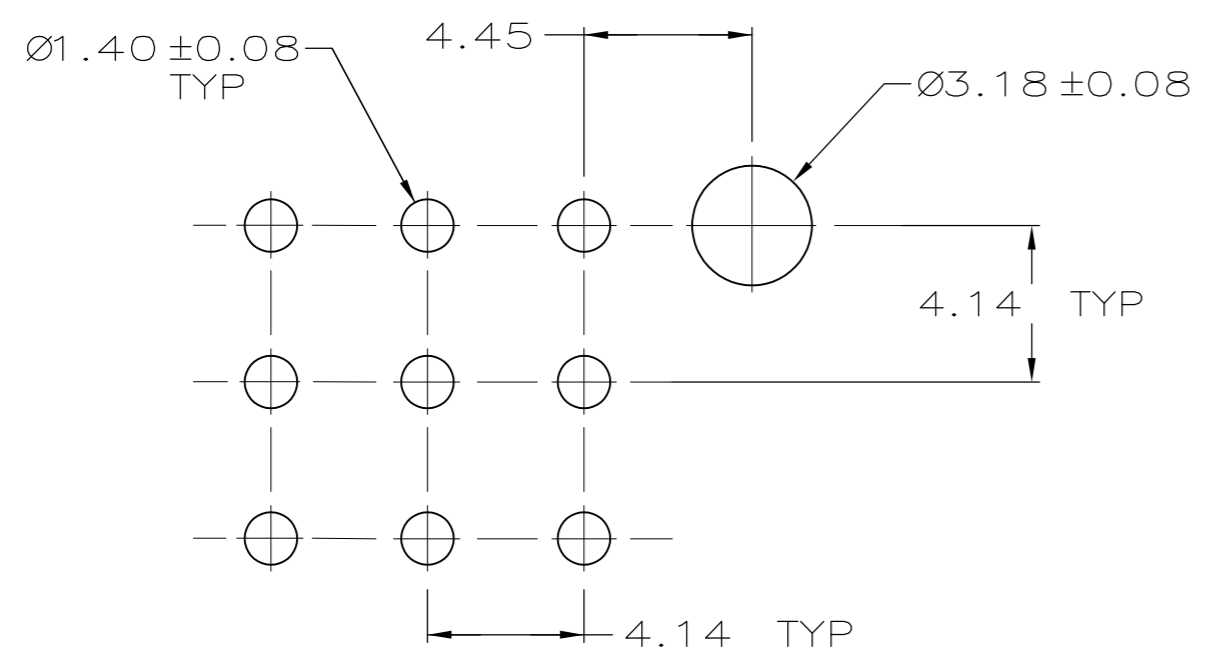


THIS DRAWING IS UNPUBLISHED. RELEASED FOR PUBLICATION
 © COPYRIGHT - By - ALL RIGHTS RESERVED.

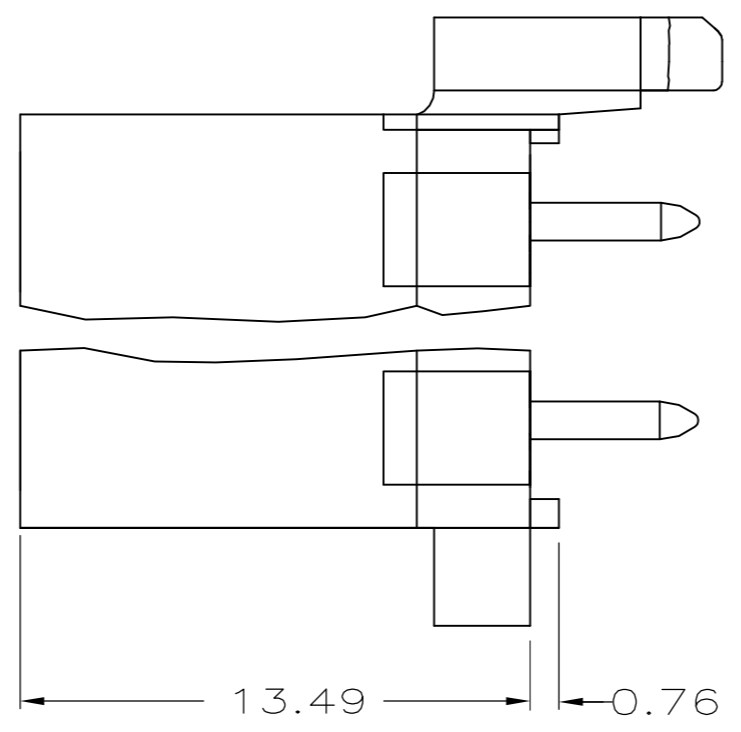
| LOC | | DIST | | REVISIONS | | | |
|-----|-----|-------------|--|---------------------------|-----------|------|----|
| P | LTR | DESCRIPTION | | DATE | DWN | APVD | |
| CM | 0 | M | | REVISED PER ECR-15-010337 | 22JUL2015 | RK | SC |



- PINS TO COMPLY WITH AMP SOLDERABILITY SPEC. 109-11-3.
- 0.00381 MIN MATTE TIN LEAD PLATE OVER 0.00127 MIN NICKEL.
- 0.00076 MIN GOLD PLATE IN THE LOCALIZED PLATE AREA, 0.00381 MATTE TIN LEAD IN THE LOCALIZED PLATE AREA, BOTH OVER 0.00127 MIN NICKEL.
- 0.00381 MIN MATTE TIN PLATE OVER 0.00127 MIN NICKEL.
- 0.00076 MIN GOLD PLATE IN THE LOCALIZED PLATE AREA, 0.00381 MATTE TIN IN THE LOCALIZED PLATE AREA, BOTH OVER 0.00127 MIN NICKEL.



RECOMMENDED LAYOUT FOR 1.57 THICK BOARD
 TOLERANCES NON-ACCUMULATIVE



| BRASS, GOLD | 5 | NYLON, UL94V-0 | WHITE | 1-770182-1 |
|-----------------|--------|----------------|-------|------------|
| BRASS, TIN | 4 | NYLON, UL94V-0 | WHITE | 1-770182-0 |
| BRASS, GOLD | 3 | NYLON, UL94V-0 | WHITE | 770182-2 |
| BRASS, TIN-LEAD | 2 | NYLON, UL94V-0 | WHITE | 770182-1 |
| MATERIAL | FINISH | MATERIAL | COLOR | PART NO. |

| | | | | | |
|--|--------|---------------|-----------|------------|----------|
| THIS DRAWING IS A CONTROLLED DOCUMENT. | | DWN | 08JUN05 | | |
| DIMENSIONS: mm | | CHK | 28JUL2003 | | |
| TOLERANCES UNLESS OTHERWISE SPECIFIED: | | APVD | 28JUL2003 | | |
| 0 PLC ± - 1 PLC ± - 2 PLC ± 0.13 3 PLC ± - 4 PLC ± - ANGLES ± - | | PRODUCT SPEC | NAME | | |
| MATERIAL | FINISH | WEIGHT | - | SIZE | A2 |
| CUSTOMER DRAWING | | SCALE 5:1 | | CAGE CODE | 00779 |
| | | DRAWING NO | | DRAWING NO | C=770182 |
| | | RESTRICTED TO | | SHEET | 1 of 1 |
| | | REV | | REV | M |

Mouser Electronics

Authorized Distributor

Click to View Pricing, Inventory, Delivery & Lifecycle Information:

[TE Connectivity:](#)

[770182-2](#)