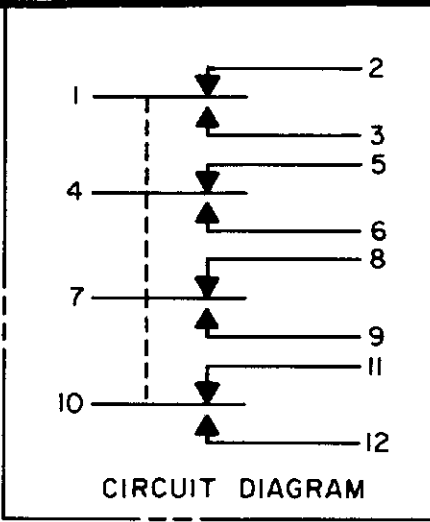


MICRO SWITCH
 FREEPORT ILLINOIS U.S.A.
 A DIVISION OF HONEYWELL
 FED MFG CODE 91929

SWITCH - ENCLOSED

CATALOG LISTING
404EN87-6

M



404EN87-6

M

DRAWING NUMBER

8 8

ISSUE

5 3

RELEASE NO. PR-6759 REPLACES

CHECK

REVISIONS

A	CO44351	CEB	27 SEP 79
B	CO46777	JAK	2 DEC 92
C	CO57370	YSK	15 MAY 85
D	CO73927	JAK	2 DEC 92
E	CO74101	BJW	30 JAN 93
F	77504-B	CO	16 MAY 94

CHECK

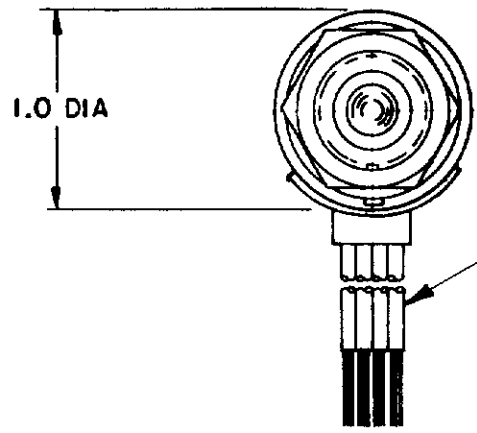
27 SEP 79

CHECK

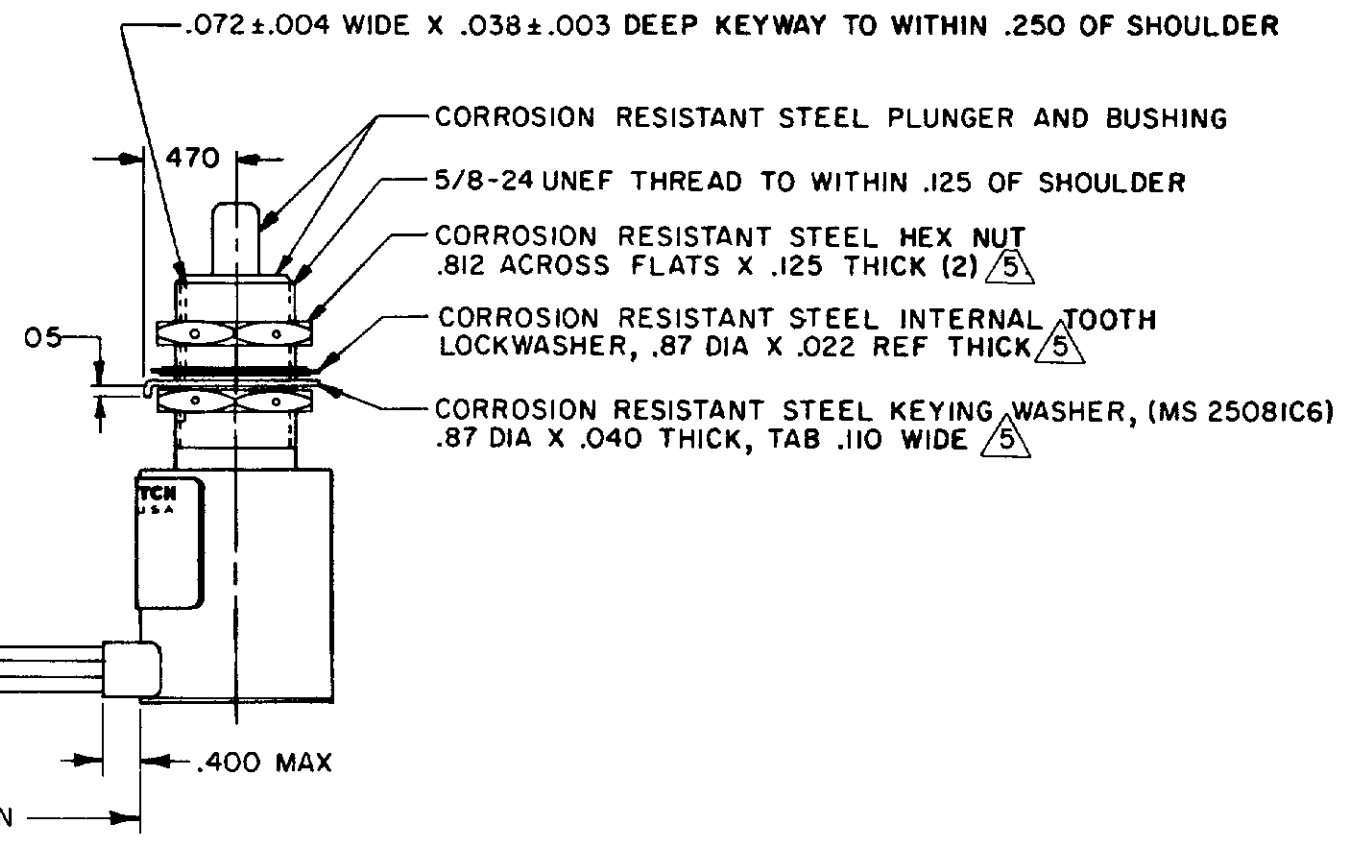
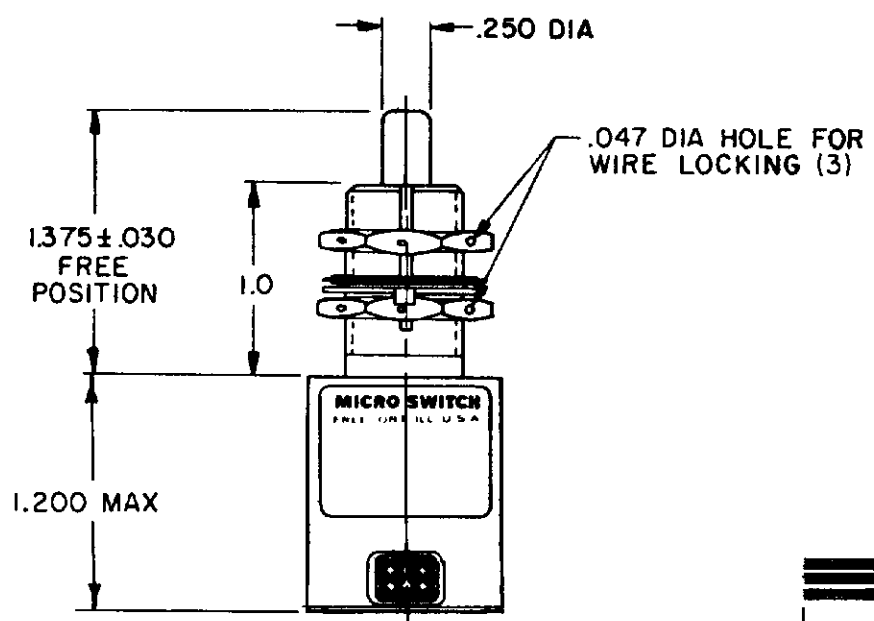
27 SEP 79

DRAWN

CEB



NO. 20 WIRE LEAD PER MIL-W-22759/7 MARKED WITH CIRCUIT IDENTIFICATION AND WIRE GAGE (1-20, 2-20, ETC) PER MIL-W-5088 (12)



- NOTES
- 1 - CORROSION RESISTANT STEEL ENCLOSURE
 - 2 - SWITCH SEALED PER MIL-S-8805 SYMBOL 4
 - 3 - CIRCUIT DIAGRAM AND CATALOG LISTING ARE SHOWN ON NAMEPLATE
 - 4 - COINCIDENCE OF OPERATING AND RELEASING POINTS: .010 OF PLUNGER TRAVEL
- 5 HARDWARE MAY BE PACKAGED UNASSEMBLED PER MIL-S-8805

THIS DRAWING COVERS A PROPRIETARY ITEM AND IS THE PROPERTY OF MICRO SWITCH, A DIVISION OF HONEYWELL. THIS DRAWING IS NOT TO BE COPIED OR USED WITHOUT THE APPROVAL OF MICRO SWITCH.		THIRD ANGLE PROJECTION	SCALE FULL
CHARACTERISTICS		ELECTRICAL DATA	DO NOT SCALE PRINT
OPERATING FORCE ----- 6-12 LB	FULL OVERTRAVEL FORCE ----- 30 LB MAX	CONTACT ARRANGEMENT S P D T (4)	TOLERANCES APPLY TO DESIGN UNITS CONVERSIONS ARE ONLY FOR REFERENCE UNLESS NOTED TOLERANCES ARE X
RELEASE FORCE ----- 4 LB MIN	PRETRAVEL ----- .040 MAX	LOAD	NO PLACES ONE PLACE TWO PLACES THREE PLACES ANGLES
DIFFERENTIAL TRAVEL ----- .020 MAX	OVERTRAVEL ----- .250 MIN	28 VDC	DIM mm TOL mm/in DIM in TOL in/in
		SEA LEVEL 50,000 FT.	RES 7 7 IND 4 2.5 MOTOR 4
			DESIGN UNITS <input type="checkbox"/> SI METRIC <input checked="" type="checkbox"/> US CUSTOMARY
			RARE MATERIAL-COMMERCIAL STANDARD MICRO SWITCH STANDARDS APPLY DIMENSIONS ARE TO BE MET BEFORE PROTECTIVE COATINGS ARE APPLIED
			WEIGHT 12.5 OZ MAX

Mouser Electronics

Authorized Distributor

Click to View Pricing, Inventory, Delivery & Lifecycle Information:

[Honeywell:](#)

[404EN87-6](#)