



MiniCom (OP6800)

C-Programmable Operator Interface

User's Manual

019-0106 • 090529-G

MiniCom (OP6800) User's Manual

Part Number 019-0106 • 090529-G • Printed in U.S.A.

©2002–2009 Digi International Inc. • All rights reserved.

No part of the contents of this manual may be reproduced or transmitted in any form or by any means without the express written permission of Digi International.

Permission is granted to make one or more copies as long as the copyright page contained therein is included. These copies of the manuals may not be let or sold for any reason without the express written permission of Digi International.

Digi International reserves the right to make changes and improvements to its products without providing notice.

Trademarks

Rabbit and Dynamic C are registered trademarks of Digi International Inc.

Rabbit 2000 and RabbitCore are trademarks of Digi International Inc.

The latest revision of this manual is available on the Rabbit Web site, www.rabbit.com, for free, unregistered download.

Digi International Inc.

www.rabbit.com

TABLE OF CONTENTS

Chapter 1. Introduction	1
1.1 Description	1
1.2 Features	1
1.3 Development and Evaluation Tools	2
1.3.1 Tool Kit	2
1.3.2 Software	3
1.4 CE Compliance	4
1.4.1 Design Guidelines	5
1.4.2 Interfacing the OP6800 to Other Devices	5
Chapter 2. Getting Started	7
2.1 Connections	7
2.2 Demonstration Program on Power-Up	10
2.3 Display Contrast Adjustment	10
2.4 Programming Cable Connections	11
2.5 Installing Dynamic C	12
2.6 Starting Dynamic C	12
2.7 PONG.C	13
2.8 Where Do I Go From Here?	13
Chapter 3. Subsystems	15
3.1 Pinouts	16
3.2 Digital I/O	17
3.2.1 Digital Inputs	17
3.2.2 Digital Outputs	18
3.3 Serial Communication	19
3.3.1 RS-232	19
3.3.2 RS-485	19
3.3.3 Programming Port	21
3.3.4 Ethernet Port (OP6800 models only)	22
3.4 Programming Cable	23
3.4.1 Changing Between Program Mode and Run Mode	23
3.5 Other Hardware	24
3.5.1 Clock Doubler	24
3.5.2 Spectrum Spreader	25
3.6 Memory	26
3.6.1 SRAM	26
3.6.2 Flash Memory	26
3.7 Keypad Labeling	27
Chapter 4. Software	29
4.1 Upgrading Dynamic C	31
4.1.1 Patches and Bug Fixes	31
4.1.2 Upgrades	31
4.2 Font and Bitmap Converter	32

4.3	Sample Programs.....	33
4.3.1	Board ID.....	33
4.3.2	Demonstration Board.....	33
4.3.3	Digital I/O.....	34
4.3.4	Serial Communication.....	34
4.3.5	LCD/Keypad Module Sample Programs.....	34
4.3.6	TCP/IP Sample Programs.....	35
4.4	OP6800 Libraries.....	36
Chapter 5. Using the TCP/IP Features		37
5.1	TCP/IP Connections.....	37
5.2	TCP/IP Sample Programs.....	39
5.2.1	How to Set IP Addresses in the Sample Programs.....	39
5.2.2	How to Set Up Your Computer for Direct Connect.....	40
5.2.3	Run the PINGME.C Demo.....	41
5.2.4	Running More Demo Programs With a Direct Connection.....	41
5.2.5	LCD/Keypad Sample Programs Showing TCP/IP Features.....	42
5.3	Where Do I Go From Here?.....	43
Chapter 6. Installation and Mounting Guidelines		45
6.1	Installation Guidelines.....	45
6.2	Mounting Instructions.....	46
6.2.1	Bezel-Mount Installation.....	46
Appendix A. Specifications		49
A.1	Electrical and Mechanical Specifications.....	50
A.2	Conformal Coating.....	53
A.3	Jumper Configurations.....	54
A.4	Use of Rabbit 2000 Parallel Ports.....	55
A.5	I/O Address Assignments.....	57
Appendix B. Power Supply		59
B.1	Power Supplies.....	59
B.2	Batteries and External Battery Connections.....	60
B.2.1	Battery-Backup Circuit.....	60
B.2.2	Power to VRAM Switch.....	61
B.2.3	Reset Generator.....	61
B.3	Chip Select Circuit.....	62
Appendix C. Demonstration Board		63
C.1	Mechanical Dimensions and Layout.....	64
C.2	Power Supply.....	65
C.3	Using the Demonstration Board.....	67
Appendix D. OP6800 Function Calls		71
D.1	Board Initialization (OP68xx.LIB).....	72
D.2	Digital I/O (OP68xx.LIB).....	73
D.3	Serial Communication (OP68xx.LIB).....	74
D.4	LEDs (OP68xx.LIB).....	76
D.5	LCD Display.....	77
D.5.1	Keypad.....	97
Index		101
Schematics		105



1. INTRODUCTION

The OP6800 intelligent terminal interface is a small, high-performance, C-programmable terminal interface that offers built-in I/O and Ethernet connectivity. A Rabbit® 2000 microprocessor operating at 22.1 MHz provides fast data processing.

1.1 Description

The OP6800 intelligent terminal interface incorporates the powerful Rabbit 2000 microprocessor, flash memory, static RAM, digital I/O ports, RS-232/RS-485 serial ports, and a 10Base-T Ethernet port.

1.2 Features

- 122 × 32 graphic display.
- 7-key keypad.
- 7 LEDs.
- 24 digital I/O: 13 filtered digital inputs, and 11 sinking high-current outputs (7 outputs with LED indicators, and 4 high-current digital outputs with transient protection to drive inductive loads).
- Rabbit 2000 microprocessor operating at 22.1 MHz.
- 128K static RAM and 256K flash memory standard, may be increased to 512K SRAM and 512K flash memory.
- One RJ-45 Ethernet port compliant with IEEE 802.3 standard for 10Base-T Ethernet protocol (OP6800 only).
- Four serial ports (2 RS-232 or 1 RS-232 with RTS/CTS, 1 RS-485, and 1 CMOS-compatible programming port).
- Battery-backable real-time clock, connection point for external battery included.
- Watchdog.
- Reset generator.
- Meets NEMA 4 watertightness specifications when front-panel mounted.
- Remote program downloading and debugging capability via RabbitLink.

Two OP6800 models are available. Their standard features are summarized in Table 1.

Table 1. OP6800 Models

Feature	OP6800	OP6810
Microprocessor	Rabbit 2000 running at 22.1 MHz	
Static RAM	128K	
Flash Memory	256K	
RJ-45 Ethernet Connector and Filter Capacitors	Yes	No
RabbitCore Module Used	RCM2200	RCM2300

One additional 512K flash/512K SRAM memory option is available for custom orders, and involves nominal lead times. Contact your Rabbit sales representative or authorized distributor for more information.

Throughout this manual, the term OP6800 refers to the complete series of OP6800 operator interfaces unless other production models are referred to specifically.

Appendix A provides detailed specifications.

Visit our [Web site](#) for up-to-date information about additional add-ons and features as they become available. The Web site also has the latest revision of this user's manual.

1.3 Development and Evaluation Tools

1.3.1 Tool Kit

A Tool Kit contains the hardware essentials you will need to use your OP6800. The items in the Tool Kit and their use are as follows.

- *Dynamic C* CD-ROM, with complete product documentation on disk.
- *OP6800 Getting Started* instructions.
- Programming cable, used to connect your PC serial port to the OP6800.
- Universal AC adapter, 12 V DC, 1 A (includes Canada/Japan/U.S., Australia/N.Z., U.K., and European style plugs).
- Demonstration Board with prototyping area, pushbutton switches, and LEDs. The Demonstration Board can be hooked up to the OP6800 to demonstrate the I/O, and the prototyping area can be used for custom circuits.
- Ribbon cable to connect Demonstration Board to OP6800.
- Screwdriver.
- *Rabbit 2000 Processor Easy Reference* poster.
- Registration card.

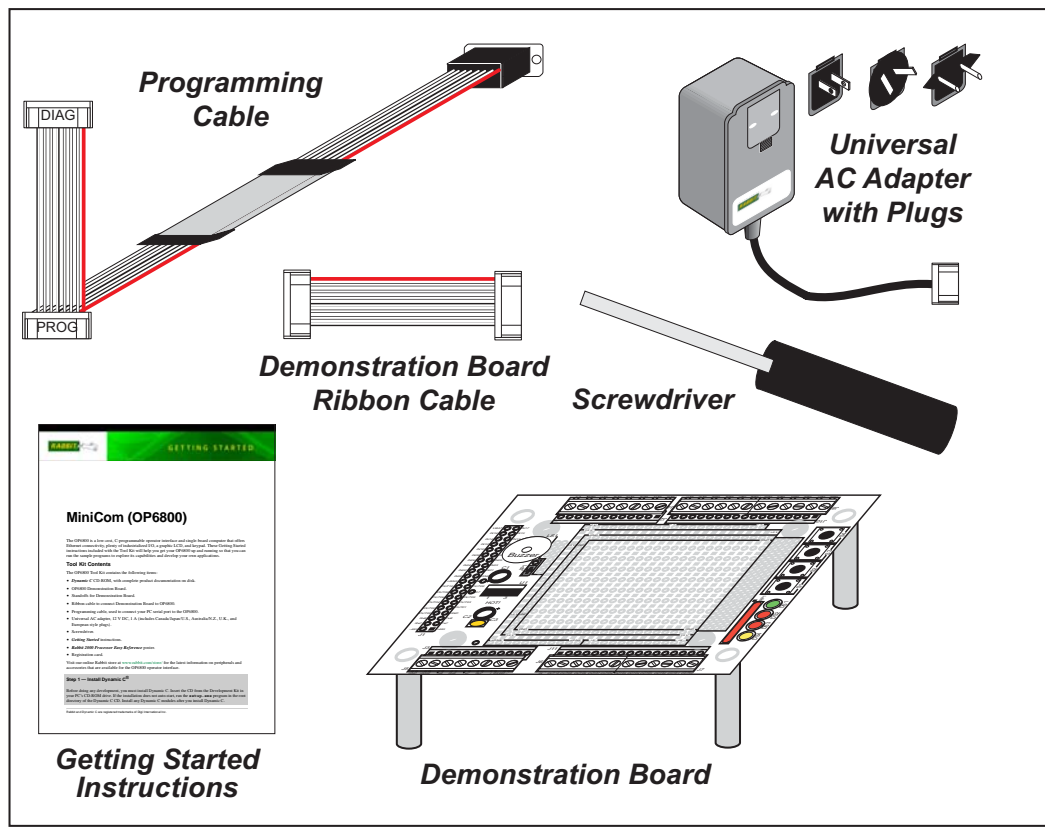


Figure 1. OP6800 Tool Kit

1.3.2 Software

The OP6800 is programmed using version 7.06 or later of Rabbit's Dynamic C. A compatible version is included on the Tool Kit CD-ROM. Library functions provide an easy-to-use interface for the OP6800. Software drivers for the display and keypad, TCP/IP, I/O, and serial communication are included with Dynamic C.

Dynamic C v. 9.60 includes the popular μ C/OS-II real-time operating system, point-to-point protocol (PPP), FAT file system, RabbitWeb, and other select libraries that were previously sold as individual Dynamic C modules.

Rabbit also offers for purchase the Rabbit Embedded Security Pack featuring the Secure Sockets Layer (SSL) and a specific Advanced Encryption Standard (AES) library. In addition to the Web-based technical support included at no extra charge, a one-year telephone-based technical support subscription is also available for purchase. Visit our Web site at www.rabbit.com for further information and complete documentation, or contact your Rabbit sales representative or authorized distributor.

1.4 CE Compliance

Equipment is generally divided into two classes.

CLASS A	CLASS B
Digital equipment meant for light industrial use	Digital equipment meant for home use
Less restrictive emissions requirement: less than 40 dB μ V/m at 10 m (40 dB relative to 1 μ V/m) or 300 μ V/m	More restrictive emissions requirement: 30 dB μ V/m at 10 m or 100 μ V/m

These limits apply over the range of 30–230 MHz. The limits are 7 dB higher for frequencies above 230 MHz. Although the test range goes to 1 GHz, the emissions from Rabbit-based systems at frequencies above 300 MHz are generally well below background noise levels.

The OP6800 has been tested and was found to be in conformity with the following applicable immunity and emission standards. The OP6810 is also CE qualified as it is a sub-version of the OP6800. Boards that are CE-compliant have the CE mark.



NOTE: Earlier versions of the OP6800 sold before 2003 that do not have the CE mark are *not* CE-complaint.

Immunity

The OP6800 operator interfaces meet the following EN55024/1998 immunity standards.

- EN61000-4-2 (ESD)
- EN61000-4-3 (Radiated Immunity)
- EN61000-4-4 (EFT)
- EN61000-4-6 (Conducted Immunity)

Additional shielding or filtering may be required for a heavy industrial environment.

Emissions

The OP6800 operator interfaces meet the following emission standards with the Rabbit 2000 spectrum spreader turned on and set to the normal mode. The spectrum spreader is only available with Rev. C or higher of the Rabbit 2000 microprocessor. This microprocessor is used on the OP6800 operator control panels that carry the CE mark.

- EN55022:1998 Class B
- FCC Part 15 Class B

Your results may vary, depending on your application, so additional shielding or filtering may be needed to maintain the Class B emission qualification.

1.4.1 Design Guidelines

Note the following requirements for incorporating the OP6800 operator interfaces into your application to comply with CE requirements.

General

- The power supply provided with the Tool Kit is for development purposes only. It is the customer's responsibility to provide a CE-compliant power supply for the end-product application.
- When connecting the OP6800 to outdoor cables, the customer is responsible for providing CE-approved surge/lightning protection.
- Rabbit recommends placing digital I/O or analog cables that are 3 m or longer in a metal conduit to assist in maintaining CE compliance and to conform to good cable design practices. Rabbit also recommends using properly shielded I/O cables in noisy electromagnetic environments.
- While the OP6800 meets the EN61000-4-2 (ESD) requirements in that it can withstand contact discharges of ± 4 kV and air discharges of ± 8 kV, it is the responsibility of the end-user to use proper ESD precautions to prevent ESD damage when installing or servicing the OP6800.

Safety

- For personal safety, all inputs and outputs to and from the OP6800 must not be connected to voltages exceeding SELV levels (42.4 V AC peak, or 60 V DC). Damage to the Rabbit 2000 microprocessor may result if voltages outside the design range of 0 V to 40 V DC are applied directly to any of its digital inputs.
- The lithium backup battery circuit on the OP6800 has been designed to protect the battery from hazardous conditions such as reverse charging and excessive current flows. Do not disable the safety features of the design.

1.4.2 Interfacing the OP6800 to Other Devices

Since the OP6800 operator control panels are designed to be connected to other devices, good EMC practices should be followed to ensure compliance. CE compliance is ultimately the responsibility of the integrator. Additional information, tips, and technical assistance are available from your authorized Rabbit distributor, and are also available on our Web site at www.rabbit.com.

2. GETTING STARTED

Chapter 2 explains how to connect the programming cable and power supply to the OP6800. Once you run a sample program to demonstrate that you have connected everything correctly, you will be ready to go on and finish developing your system.

2.1 Connections

1. Screw in the four standoffs included with the Tool Kit into the four mounting threads on the OP6800 as shown in Figure 2.

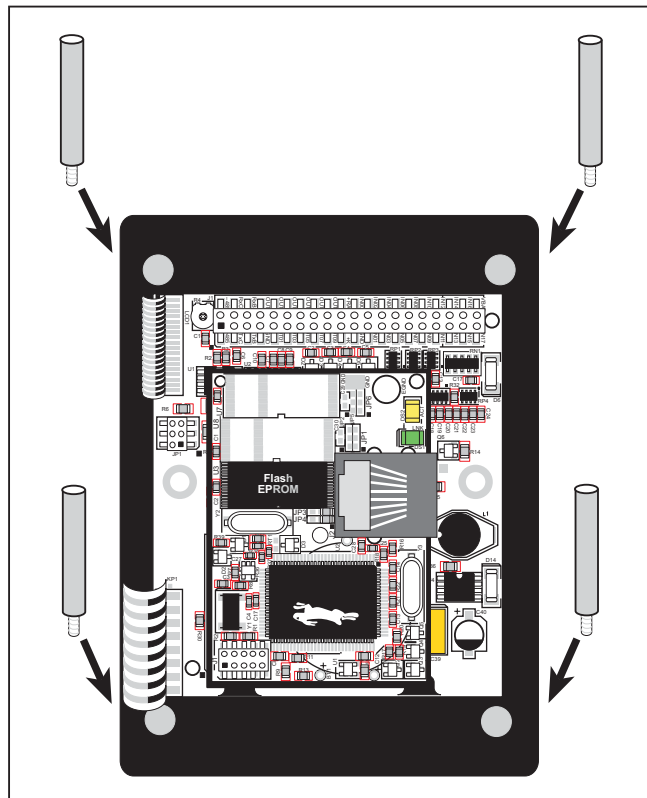


Figure 2. Screw In Standoffs Into OP6800 Mounting Threads

2. Connect the OP6800 to the Demonstration Board from the Tool Kit using the ribbon cable connector as shown in Figure 3. First, connect the ribbon cable to header J1 on the OP6800, then turn the OP6800 over and connect the other end of the ribbon cable to header J1 on the Demonstration Board. By connecting the boards this way, you have the option of placing the Demonstration Board behind your OP6800 in your final installation as explained in Appendix C.

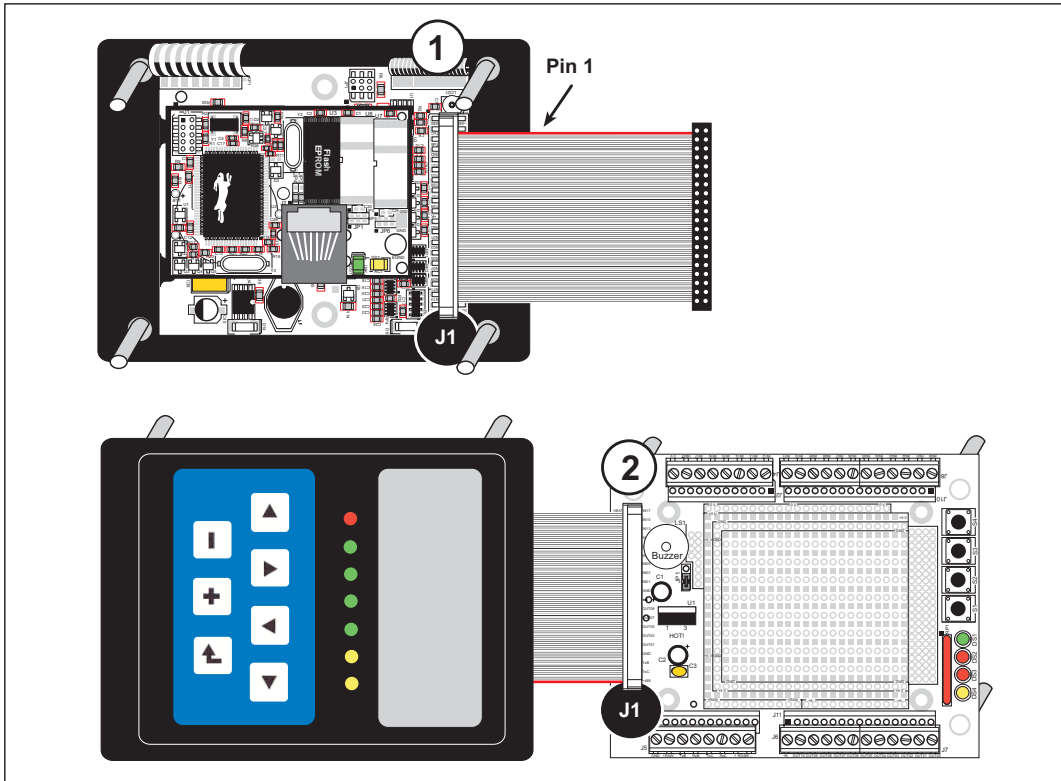


Figure 3. Connect the OP6800 to the Demonstration Board

3. Connect the power supply.

First, prepare the AC adapter for the country where it will be used by selecting the plug. The OP6800 Tool Kit presently includes Canada/Japan/U.S., Australia/N.Z., U.K., and European style plugs. Snap in the top of the plug assembly into the slot at the top of the AC adapter as shown in Figure 4, then press down on the spring-loaded clip below the plug assembly to allow the plug assembly to click into place.

Connect the bare ends of the power supply to the **+RAW** and **GND** positions on screw terminal header J5 of the Demonstration Board as shown in Figure 4.

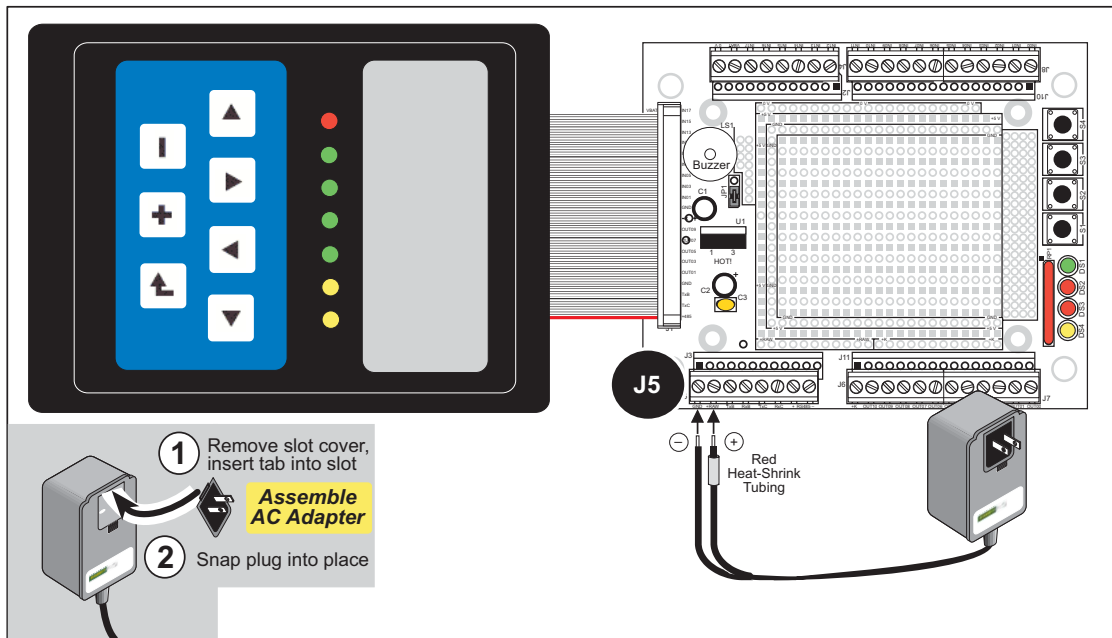


Figure 4. Power Supply Connections

NOTE: The OP6800 itself has reverse polarity protection, but the Demonstration Board does not. Be careful to connect the positive and negative leads as shown to avoid damaging the Demonstration Board.

NOTE: If you are using your own power supply, Rabbit recommends using a 9 V to 25 V DC power supply. The linear regulator on the Demonstration Board can handle up to 35 V, but can get extremely hot.

4. Apply power.

Plug in the AC adapter.

CAUTION: Unplug the power supply while you make or otherwise work with the connections to the headers. This will protect your OP6800 from inadvertent shorts or power spikes.

NOTE: A hardware RESET is done by unplugging the AC adapter, then plugging it back in.

2.2 Demonstration Program on Power-Up

A repeating sequence of graphics and messages in various languages will be displayed on the LCD, and the LEDs will flash on and off in sequence when power is first applied to the OP6800. Try pressing the buttons on the keypad. The LED immediately above that button will light up, and if you pressed one of the keys in the top row of the keypad, the corresponding LED on the Demonstration Board will light up. Similarly, if you press one of the switches on the Demonstration Board, the corresponding LED on the Demonstration Board and on the OP6800 will light up.

Note that the programming cable does *not* have to be connected for this demonstration.

This demonstration will be replaced by a new program when the programming cable is attached and the new program is compiled and run. The demonstration is available for future reference in the Dynamic C `SAMPLES\LCD_KEYPAD\122x32_1x7` directory as `FUN.C`.

2.3 Display Contrast Adjustment

The LCD contrast is preset at the factory. If you need to adjust the contrast for optimum display of graphics and messages, you may adjust the potentiometer at R4 located as shown in Figure 5. Note that OP6800 units sold before 2004 did not have any provision to adjust the contrast.

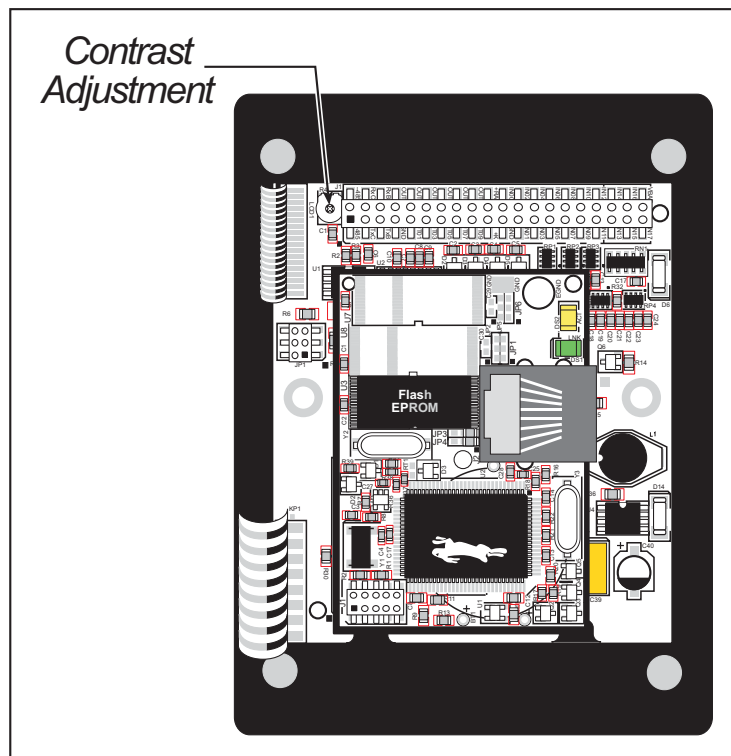


Figure 5. LCD Contrast Adjustment

2.4 Programming Cable Connections

1. Connect the programming cable to download programs from your PC and to program and debug the OP6800.

Connect the 10-pin **PROG** connector of the programming cable to header J1 on the OP6800 RabbitCore module. Ensure that the colored edge lines up with pin 1 as shown. (Do not use the **DIAG** connector, which is used for a nonprogramming serial connection.) Connect the other end of the programming cable to a COM port on your PC. Make a note of the port to which you connect the cable, as Dynamic C will need to have this parameter configured. Note that COM1 on the PC is the default COM port used by Dynamic C.

NOTE: Some PCs now come equipped only with a USB port. It may be possible to use an RS-232/USB converter (Part No. 20-151-0178) with the programming cable supplied with the OP6800 Tool Kit. Note that not all RS-232/USB converters work with Dynamic C.

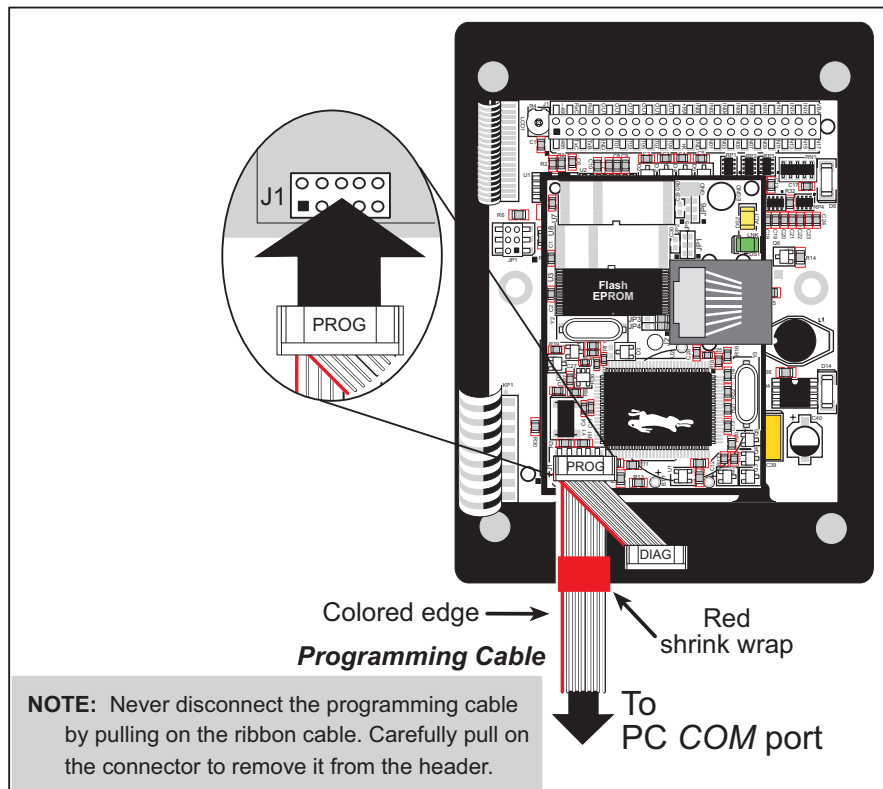


Figure 6. Programming Cable Connections

NOTE: Be sure to use the programming cable (Part No. 101-0513) supplied with the OP6800 Tool Kit—the programming cable has red shrink wrap around the RS-232 converter section located in the middle of the cable. Programming cables from other Rabbit kits are not designed to work with the OP6800.

2. Reset the OP6800 by unplugging the AC adapter, then plugging it back in. The OP6800 is now ready to be used.

2.5 Installing Dynamic C

If you have not yet installed Dynamic C version 7.06P2 (or a later version), do so now by inserting the Dynamic C CD in your PC's CD-ROM drive. The CD will auto-install unless you have disabled auto-install on your PC.

If the CD does not auto-install, click **Start > Run** from the Windows **Start** button and browse for the Dynamic C **setup.exe** file on your CD drive. Click **OK** to begin the installation once you have selected the **setup.exe** file.

The *Dynamic C User's Manual* provides detailed instructions for the installation of Dynamic C and any future upgrades.

NOTE: If you have an earlier version of Dynamic C already installed, the default installation of the later version will be in a different folder, and a separate icon will appear on your desktop.

2.6 Starting Dynamic C

Once the OP6800 is connected to your PC and to a power source, start Dynamic C by double-clicking on the Dynamic C icon on your desktop or in your **Start** menu.

If you are using a USB port to connect your computer to the OP6800, choose **Options > Project Options** and select "Use USB to Serial Converter." Click **OK**.

Dynamic C assumes, by default, that you are using serial port COM1 on your PC. If you *are* using COM1, then Dynamic C should detect the OP6800 and go through a sequence of steps to cold-boot the OP6800 and to compile the BIOS. If the error message "Rabbit Processor Not Detected" appears, you have probably connected to a different PC serial port such as COM2, COM3, or COM4. You can change the serial port used by Dynamic C with the **OPTIONS** menu, then try to get Dynamic C to recognize the OP6800 by selecting **Reset Target/Compile BIOS** on the **Compile** menu. Try the different COM ports in the **OPTIONS** menu until you find the one you are connected to. If you still can't get Dynamic C to recognize the target on any port, then the hookup may be wrong or the COM port might not be working on your PC.

If you receive the "BIOS successfully compiled ..." message after pressing **<Ctrl-Y>** or starting Dynamic C, and this message is followed by a communications error message, it is possible that your PC cannot handle the 115,200 bps baud rate. Try changing the baud rate to 57,600 bps as follows.

- Locate the **Serial Options** dialog in the Dynamic C **Options > Project Options > Communications** menu. Change the baud rate to 57,600 bps.

2.7 PONG.C

You are now ready to test your programming connections by running a sample program.

Find the file **PONG.C**, which is in the Dynamic C **SAMPLES** folder. To run the program, open it with the **File** menu (if it is not still open), compile it using the **Compile** menu, and then run it by selecting **Run** in the **Run** menu. The **STDIO** window will open and will display a small square bouncing around in a box.

This program shows that the CPU is working. The sample program described in Section 5.2.3, “Run the PINGME.C Demo,” tests the TCP/IP portion of the board (if you have the OP6800 model—the OP6810 does not have an Ethernet capability).

2.8 Where Do I Go From Here?

NOTE: If you purchased your OP6800 through a distributor or Rabbit partner, contact the distributor or partner first for technical support.

If there are any problems at this point:

- Use the Dynamic C **Help** menu to get further assistance with Dynamic C.
- Check the Rabbit Technical Bulletin Board and forums at www.rabbit.com/support/bb/ and at www.rabbit.com/forums/.
- Use the Technical Support e-mail form at www.rabbit.com/support/.

If the sample program ran fine, you are now ready to go on to explore other OP6800 features and develop your own applications.

The following sample programs illustrate the features and operation of the OP6800.

OP6800 (SAMPLES\LCD_KEYPAD\122x32_1x7)	Demonstration Board (SAMPLES\OP6800\DEMO_BD)
KEYBASIC.C KEYMENU.C SCROLLING.C TEXT.C	KEYPAD.C SWITCHES.C

These sample programs can be used as templates for applications you may wish to develop.

Chapter 3, “Subsystems,” provides a description of the OP6800’s features, Chapter 4, “Software,” describes the Dynamic C software libraries and describes the sample programs, and Chapter 5, “Using the TCP/IP Features,” explains the TCP/IP features and describes some sample programs.

3. SUBSYSTEMS

Chapter 3 describes the principal subsystems for the OP6800.

- Digital I/O
- Serial Communication
- Memory

Figure 7 shows these Rabbit-based subsystems designed into the OP6800.

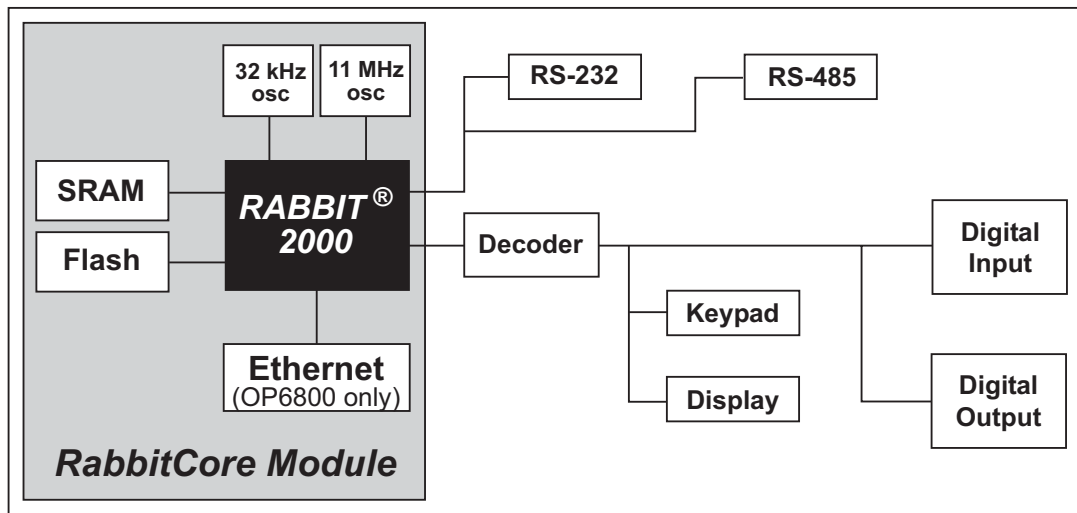


Figure 7. OP6800 Subsystems

3.1 Pinouts

Figure 8 shows the OP6800 pinouts.

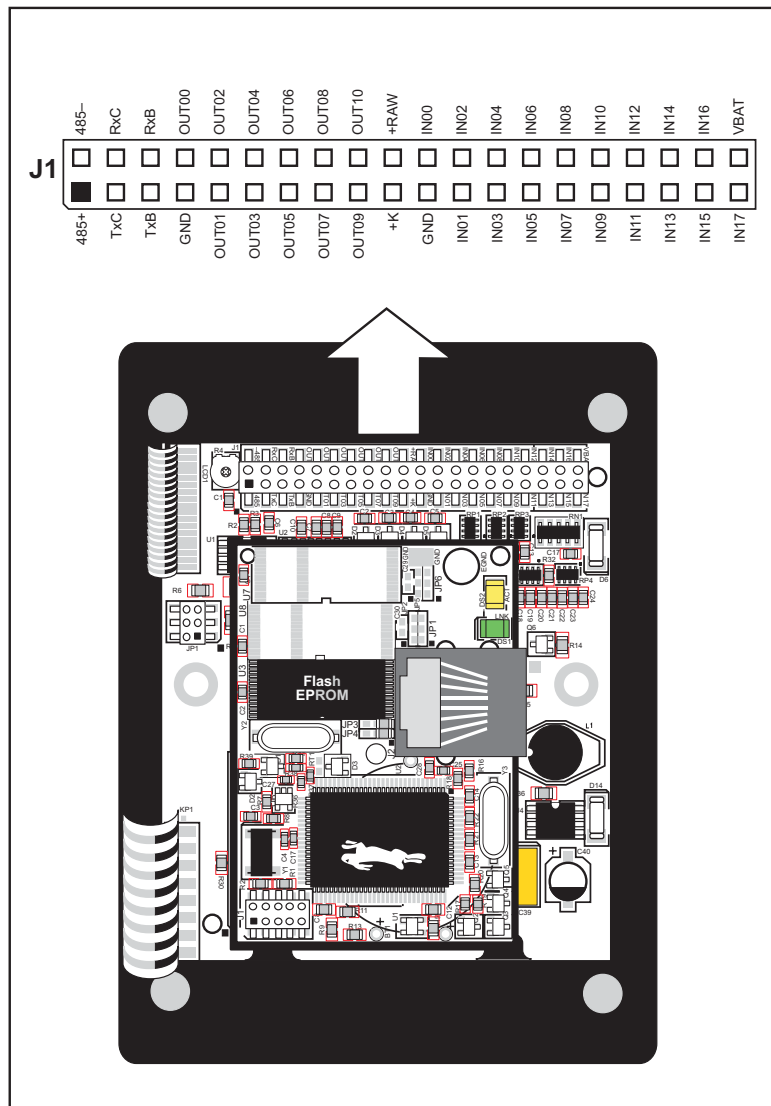


Figure 8. OP6800 Pinouts

Header J1 is a standard 2 × 20 header with a nominal 0.1" pitch. The OP6800 also has an RJ-45 Ethernet jack on the RabbitCore module.

3.2 Digital I/O

3.2.1 Digital Inputs

The OP6800 has eight digital inputs, IN00–IN07, each with a current-limiting resistor of 27 k Ω , and protected over a range of –36 V to +36 V. The inputs are all pulled up to +5 V as shown in Figure 9.

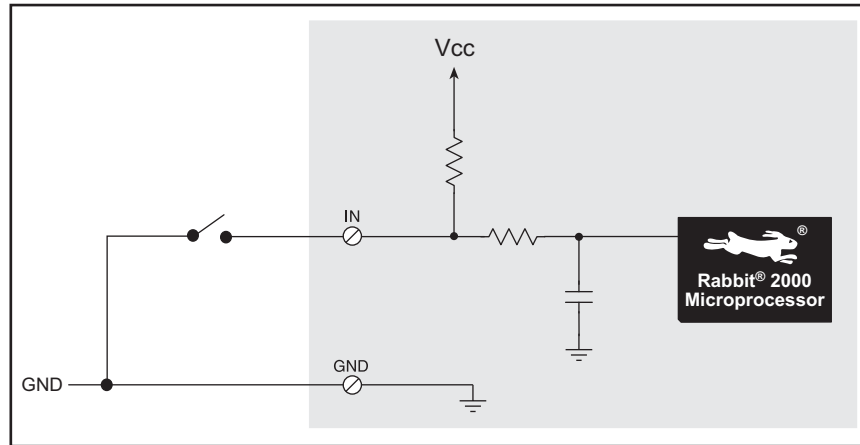


Figure 9. OP6800 Digital Inputs

The OP6800 also has five digital inputs, IN08–IN12, each with a current-limiting resistor of 12 k Ω , protected over a range of –25 V to +25 V, and pulled up to +5 V.

The actual switching threshold for IN00–IN12 is approximately 2.40 V. Anything below this value is a logic 0, and anything above is a logic 1.

IN13–IN17 are connected in parallel with five of the keypad buttons. These inputs are normally pulled up, but pulling one of these inputs down is the equivalent of pressing the corresponding keypad key remotely.

Table 2. Remote Keypad Operation

Keypad Key	Remote Keypad Signal Inputs
0 (◀)	IN13
1 (▲)	IN14
2 (▼)	IN15
3 (▶)	IN16
6 (↙)	IN17

NOTE: Remote keypad signal inputs IN13–IN17 are *not* protected, and can only handle a voltage range from 0 to +5 V. These inputs were designed solely to facilitate a remote keypad, and should not be used for other purposes.

3.2.2 Digital Outputs

The OP6800 has 11 digital outputs, OUT00–OUT10, which can each sink up to 200 mA. Figure 10 shows a wiring diagram for using the digital outputs.

OUT00–OUT06 can switch up to 40 V and the corresponding LEDs when the outputs are on. OUT07–OUT10 offer protection for inductive loads when K is connected to an external power supply; OUT07–OUT10 are not connected to the LEDs.

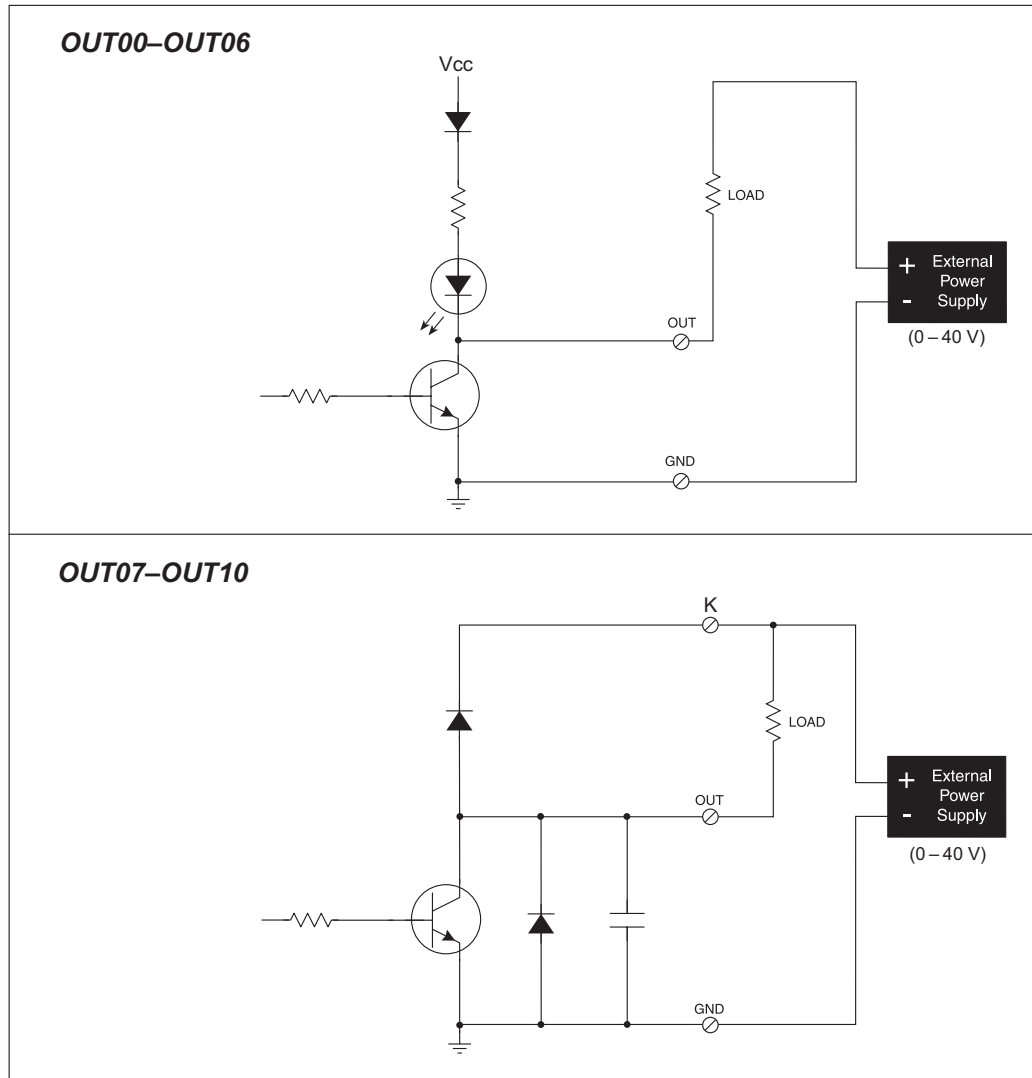


Figure 10. OP6800 Digital Outputs

It is possible to use an external open-collector driver to control the LEDs associated with OUT00–OUT06. Connect the external driver to the output corresponding to the LED you wish to control, but keep the internal driver turned off. The external driver will then control the LED.

3.3 Serial Communication

The OP6800 has two RS-232 serial ports, which can be configured as one RS-232 serial channel (with RTS/CTS) or as two RS-232 (3-wire) channels using the `serMode` software function call. Table 3 summarizes the options.

Table 3. Serial Communication Configurations

Mode	Serial Port		
	B	C	D
0	RS-232, 3-wire	RS-232, 3-wire	RS-485
1	RS-232, 5-wire	CTS/RTS	RS-485

The OP6800 also has one RS-485 serial channel and one CMOS serial channel. The CMOS serial channel serves as the programming port.

All four serial ports operate in an asynchronous mode. An asynchronous port can handle 7 or 8 data bits. A 9th bit address scheme, where an additional bit is sent to mark the first byte of a message, is also supported. Serial Port A, the CMOS programming port, can be operated alternately in the clocked serial mode. In this mode, a clock line synchronously clocks the data in or out. Either of the two communicating devices can supply the clock. The OP6800 boards typically use all four ports in the asynchronous serial mode. Serial Ports B and C are used for RS-232 communication, and Serial Port D is used for RS-485 communication. The OP6800 uses an 11.0592 MHz crystal, which is doubled to 22.1184 MHz. At this frequency, the OP6800 supports standard asynchronous baud rates up to a maximum of 230,400 bps.

3.3.1 RS-232

The OP6800 RS-232 serial communication is supported by an RS-232 transceiver. This transceiver provides the voltage output, slew rate, and input voltage immunity required to meet the RS-232 serial communication protocol. Basically, the chip translates the Rabbit 2000's CMOS/TTL signals to RS-232 signal levels. Note that the polarity is reversed by an RS-232 circuit so that a +5 V input becomes approximately -10 V and 0 V is output as +10 V. The RS-232 transceiver also provides the proper line loading for reliable communication.

RS-232 can be used effectively at the OP6800's maximum baud rate for distances of up to 15 m.

3.3.2 RS-485

The OP6800 has one RS-485 serial channel, which is connected to the Rabbit 2000 Serial Port D through an RS-485 transceiver. The half-duplex communication uses the Rabbit 2000's PB6 pin to control the transmit enable on the communication line.

The OP6800 can be used in an RS-485 multidrop network. Connect the 485+ to 485+ and 485- to 485- using single twisted-pair wires (nonstranded, tinned) as shown in Figure 11. Note that a common ground is recommended.

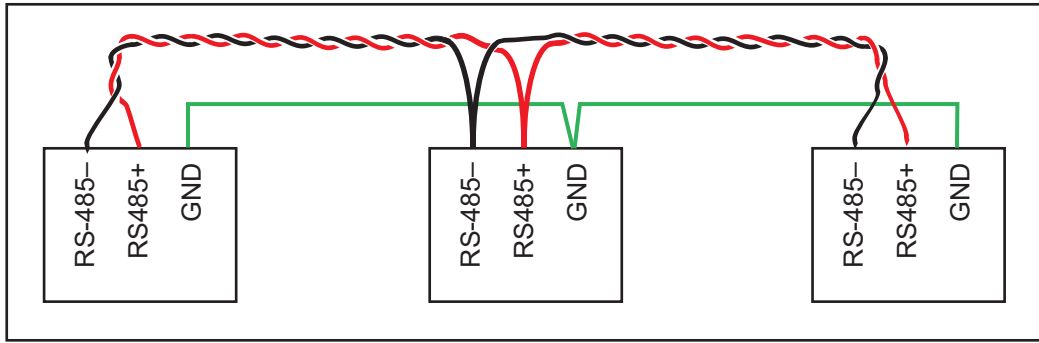


Figure 11. OP6800 Multidrop Network

The OP6800 comes with a 220 Ω termination resistor and two 681 Ω bias resistors installed and enabled with jumpers across pins 1–2 and 5–6 on header JP1, as shown in Figure 12.

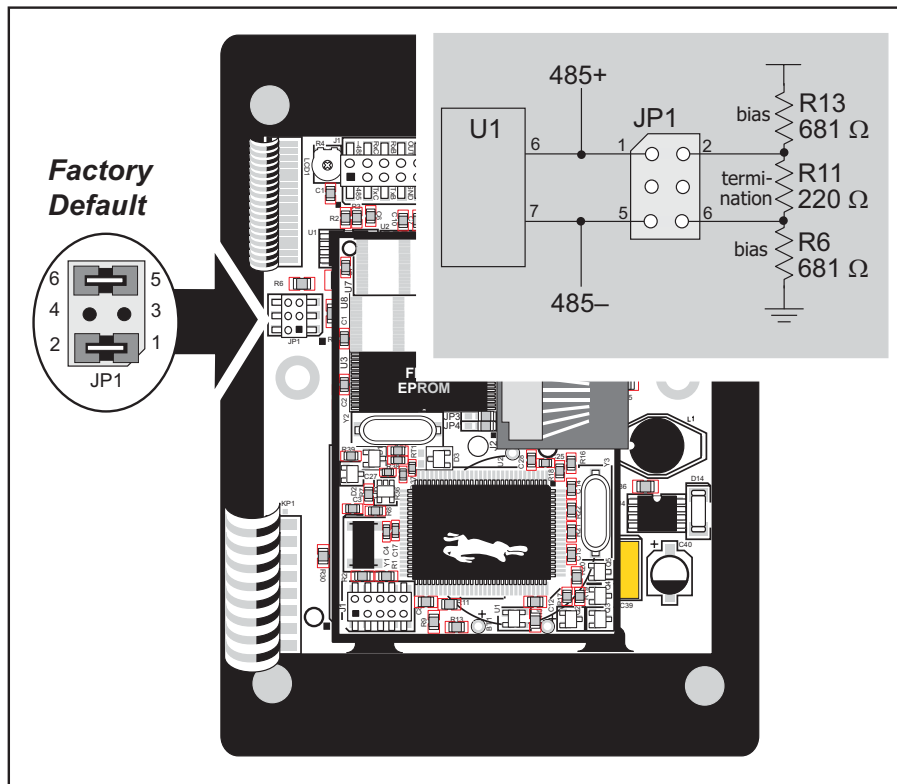


Figure 12. RS-485 Termination and Bias Resistors

For best performance, the bias and termination resistors in a multidrop network should only be enabled on both end nodes of the network. Disable the termination and bias resistors on any intervening OP6800 units in the network by removing both jumpers from header JP1.

TIP: Save the jumpers for possible future use by “parking” them across pins 1–3 and 4–6 of header JP1. Pins 3 and 4 are not otherwise connected to the OP6800.

3.3.3 Programming Port

The OP6800 programming port is accessed using header J1 on the OP6800's RabbitCore module or through the Ethernet jack. The programming port uses the Rabbit 2000's Serial Port A for communication. Dynamic C uses the programming port to download and debug programs.

The programming port is also used for the following operations.

- Cold-boot the Rabbit 2000 on the OP6800 after a reset.
- Remotely download and debug a program over an Ethernet connection using the RabbitLink EG2110.
- Fast copy designated portions of flash memory from one Rabbit-based board (the master) to another (the slave) using the Rabbit Cloning Board.

Alternate Uses of the Programming Port

All three clocked Serial Port A signals are available as

- a synchronous serial port
- an asynchronous serial port, with the clock line usable as a general CMOS input

The programming port may also be used as a serial port via the **DIAG** connector on the programming cable.

In addition to Serial Port A, the Rabbit 2000 startup-mode (SMODE0, SMODE1), status, and reset pins are available on the programming port header.

The two startup mode pins determine what happens after a reset—the Rabbit 2000 is either cold-booted or the program begins executing at address 0x0000.

The status pin is used by Dynamic C to determine whether a Rabbit microprocessor is present. The status output has three different programmable functions:

1. It can be driven low on the first op code fetch cycle.
2. It can be driven low during an interrupt acknowledge cycle.
3. It can also serve as a general-purpose output.

The /RESET_IN pin is an external input that is used to reset the Rabbit 2000 and the OP6800 onboard peripheral circuits.

Refer to the *Rabbit 2000 Microprocessor User's Manual* for more information.

3.3.4 Ethernet Port (OP6800 models only)

Figure 13 shows the pinout for the Ethernet port (J2 on the OP6800 module). Note that there are two standards for numbering the pins on this connector—the convention used here, and numbering in reverse to that shown. Regardless of the numbering convention followed, the pin positions relative to the spring tab position (located at the bottom of the RJ-45 jack in Figure 13) are always absolute, and the RJ-45 connector will work properly with off-the-shelf Ethernet cables.

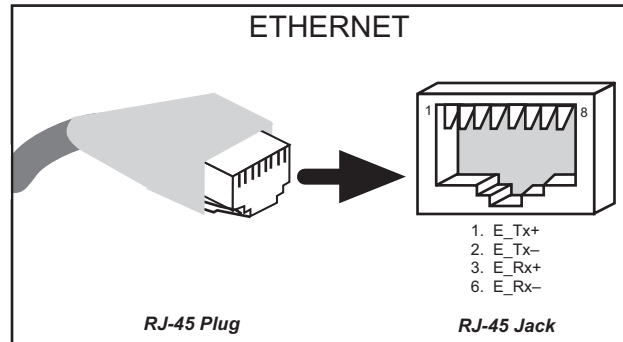


Figure 13. RJ-45 Ethernet Port Pinout

RJ-45 pinouts are sometimes numbered opposite to the way shown in Figure 13.

Two LEDs are placed next to the RJ-45 Ethernet jack, one to indicate an Ethernet link (**LNK**) and one to indicate Ethernet activity (**ACT**).

The transformer/connector assembly ground is connected to the BL2100 module printed circuit board digital ground via a 0 Ω resistor “jumper,” R29, as shown in Figure 14.

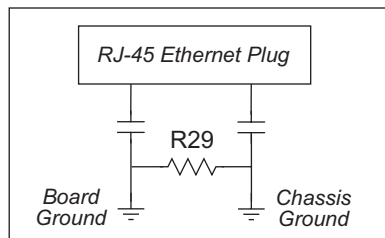


Figure 14. Isolation Resistor R29

The factory default is for the 0 Ω resistor “jumper” at R29 to be installed. In high-noise environments, remove R29 and ground the transformer/connector assembly directly through the chassis ground. This will be especially helpful to minimize ESD and/or EMI problems.

3.4 Programming Cable

The programming cable is used to connect the programming port of the OP6800 to a PC serial COM port. The programming cable converts the RS-232 voltage levels used by the PC serial port to the voltage levels used by the Rabbit 2000.

When the **PROG** connector on the programming cable is connected to the OP6800 programming port, programs can be downloaded and debugged over the serial interface between the PC and the Rabbit 2000.

The **DIAG** connector of the programming cable may be used on header J1 of the OP6800 RabbitCore module with the OP6800 operating in the Run Mode. This allows the programming port to be used as a regular serial port.

3.4.1 Changing Between Program Mode and Run Mode

The OP6800 is automatically in Program Mode when the **PROG** connector on the programming cable is attached, and is automatically in Run Mode when no programming cable is attached. When the Rabbit 2000 is reset, the operating mode is determined by the status of the SMODE pins. When the programming cable's **PROG** connector is attached, the SMODE pins are pulled high, placing the Rabbit 2000 in the Program Mode. When the programming cable's **PROG** connector is not attached, the SMODE pins are pulled low, causing the Rabbit 2000 to operate in the Run Mode.

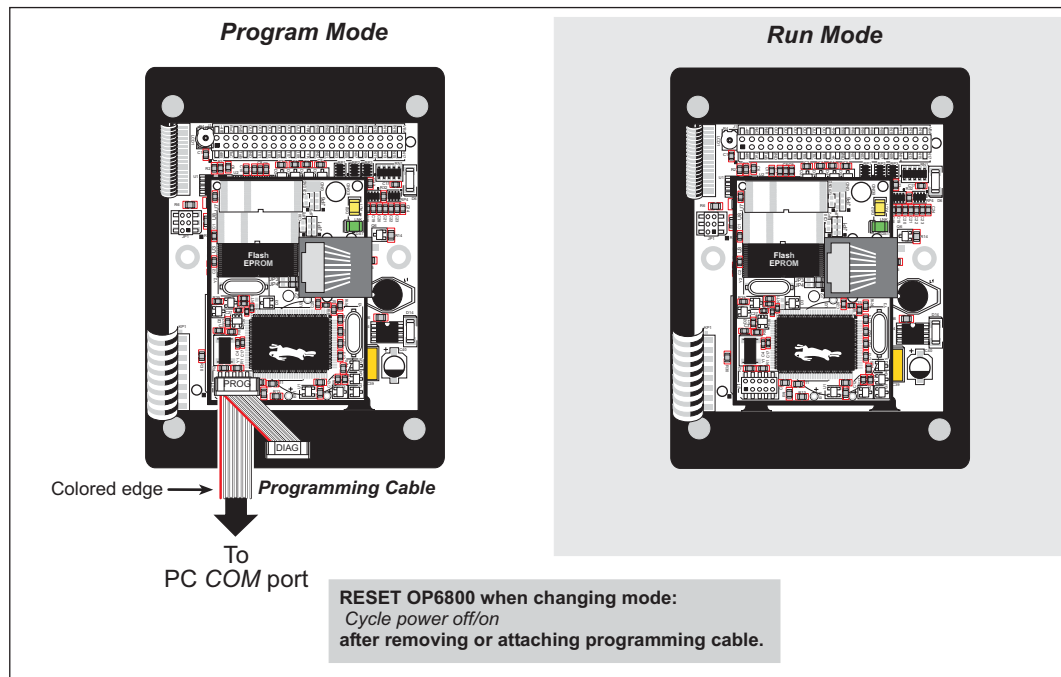


Figure 15. OP6800 Program Mode and Run Mode Set-Up

A program “runs” in either mode, but can only be downloaded and debugged when the OP6800 is in the Program Mode.

Refer to the *Rabbit 2000 Microprocessor User's Manual* for more information on the programming port and the programming cable.

3.5 Other Hardware

3.5.1 Clock Doubler

The OP6800 takes advantage of the Rabbit 2000 microprocessor's internal clock doubler. A built-in clock doubler allows half-frequency crystals to be used to reduce radiated emissions. The 22.1 MHz frequency is generated using an 11.0592 MHz crystal. The clock doubler is disabled automatically in the BIOS for crystals with a frequency above 12.9 MHz.

The clock doubler may be disabled if 22.1 MHz clock speeds are not required. Disabling the Rabbit 2000 microprocessor's internal clock doubler will reduce power consumption and further reduce radiated emissions. The clock doubler is disabled with a simple global macro as shown below.

1. Select the "Defines" tab from the Dynamic C **Options > Project Options** menu.
2. Add the line `CLOCK_DOUBLED=0` to always disable the clock doubler.

The clock doubler is enabled by default, and usually no entry is needed. If you need to specify that the clock doubler is always enabled, add the line `CLOCK_DOUBLED=1` to always enable the clock doubler. The clock speed will be doubled as long as the crystal frequency is less than or equal to 26.7264 MHz.

3. Click **OK** to save the macro. The clock doubler will now remain off whenever you are in the project file where you defined the macro.

3.5.2 Spectrum Spreader

OP6800 operator interfaces that carry the CE mark on their RabbitCore module have a Rabbit 2000 microprocessor that features a spectrum spreader, which helps to mitigate EMI problems. By default, the spectrum spreader is on automatically for OP6800 operator control panels that carry the CE mark when used with Dynamic C 7.30 or later versions, but the spectrum spreader may also be turned off or set to a stronger setting. The means for doing so is through a simple global macro as shown below.

1. Select the “Defines” tab from the Dynamic C **Options > Project Options** menu.
2. Normal spreading is the default, and usually no entry is needed. If you need to specify normal spreading, add the line

```
ENABLE_SPREADER=1
```

For strong spreading, add the line

```
ENABLE_SPREADER=2
```

To disable the spectrum spreader, add the line

```
ENABLE_SPREADER=0
```

NOTE: The strong spectrum-spreading setting is not needed for the OP6800.

3. Click **OK** to save the macro. The spectrum spreader will now remain off whenever you are in the project file where you defined the macro.

There is no spectrum spreader functionality for OP6800 operator control panels that do not carry the CE mark on their RabbitCore module or when using any OP6800 with a version of Dynamic C prior to 7.30.

3.6 Memory

3.6.1 SRAM

The OP6800 module is designed to accept 128K to 512K of SRAM. The standard OP6800 modules come with 128K of SRAM.

3.6.2 Flash Memory

The OP6800 is also designed to accept 128K to 512K of flash memory. The standard OP6800 modules come with one 256K flash memory.

NOTE: Rabbit recommends that any customer applications should not be constrained by the sector size of the flash memory since it may be necessary to change the sector size in the future.

A Flash Memory Bank Select jumper configuration option based on 0 Ω surface-mounted resistors exists at header JP2 on the RabbitCore module. This option, used in conjunction with some configuration macros, allows Dynamic C to compile two different co-resident programs for the upper and lower halves of the 256K flash in such a way that both programs start at logical address 0000. This is useful for applications that require a resident download manager and a separate downloaded program. See Technical Note TN218, *Implementing a Serial Download Manager for a 256K Flash*, for details.

3.7 Keypad Labeling

The keypad may be labeled according to your needs. A template is provided in Figure 16 to allow you to design your own keypad label insert.

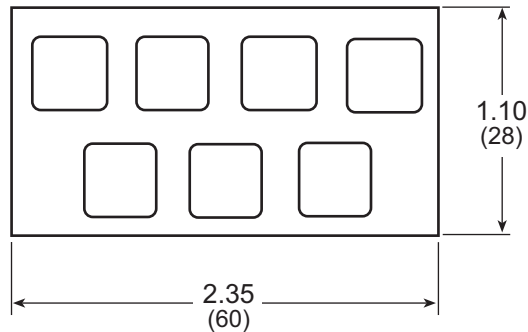


Figure 16. Keypad Template

Before you can replace the keypad legend, you will have to remove the LCD/keypad module from the plastic bezel. The LCD/keypad module circuit board is held down with two screws and two tabs as shown in Figure 17.

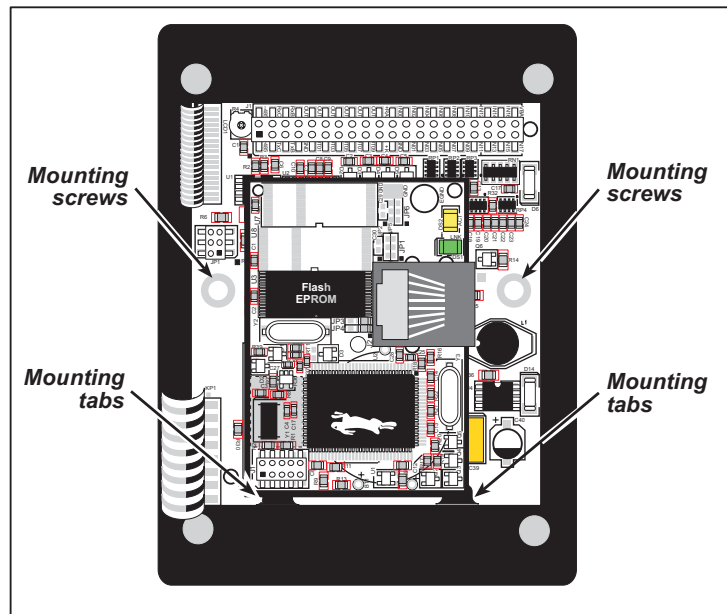


Figure 17. Removing LCD/Keypad Module from Plastic Bezel

To replace the keypad legend, remove the old legend and insert your new legend prepared according to the template in Figure 16. The keypad legend is located under the blue keypad matte, and is accessible from either the left side or the right side as shown in Figure 18. A small screwdriver or a similar small pointed object can be used to nudge the keypad legend in or out.

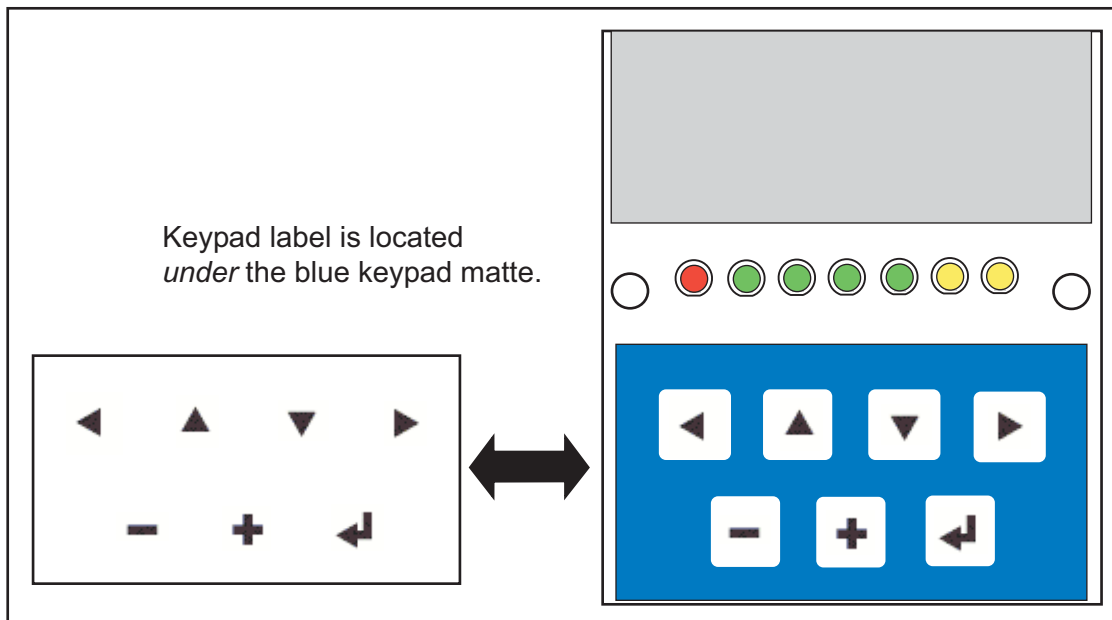


Figure 18. Removing and Inserting Keypad Label

Once you have replaced the keypad label, re-insert the LCD/keypad module circuit board under the mounting tabs in the plastic bezel, as shown in Figure 17. Secure the LCD/keypad module circuit board with the two screws.

4. SOFTWARE

Dynamic C is an integrated development system for writing embedded software. It runs on an IBM-compatible PC and is designed for use with Rabbit-based single-board computers and other devices based on the Rabbit microprocessor.

Chapter 4 provides the libraries, function calls, and sample programs related to the OP6800.

You have a choice of doing your software development in the flash memory or in the static RAM included on the OP6800. The flash memory and SRAM options are selected with the **Options > Compiler** menu.

The advantage of working in RAM is to save wear on the flash memory, which is limited to about 100,000 write cycles. The disadvantage is that the code and data might not both fit in RAM.

NOTE: An application can be developed in RAM, but cannot run standalone from RAM after the programming cable is disconnected. All standalone applications can only run from flash memory.

NOTE: Do not depend on the flash memory sector size or type. Due to the volatility of the flash memory market, the OP6800 and Dynamic C were designed to accommodate flash devices with various sector sizes.

OP6800s that are special-ordered with the 512K flash/512K SRAM memory option have two 256K flash memories. By default, Dynamic C will use only the first flash memory for program code in these OP6800s. Uncomment the BIOS macro `USE_2NDFLASH_CODE` in `BIOS\RABBITBIOS.C` to allow the second flash memory to hold any program code that is in excess of the available memory in the first flash.

Developing software with Dynamic C is simple. Users can write, compile, and test C and assembly code without leaving the Dynamic C development environment. Debugging occurs while the application runs on the target. Alternatively, users can compile a program to a binary image file for later loading. Dynamic C runs on PCs under Windows 95 or later. Programs can be downloaded at baud rates of up to 230,000 bps after the program compiles.

Dynamic C has a number of standard features.

- Full-feature source and/or assembly-level debugger, no in-circuit emulator required.
- Royalty-free TCP/IP stack with source code and most common protocols.
- Hundreds of functions in source-code libraries and sample programs:
 - ▶ Exceptionally fast support for floating-point arithmetic and transcendental functions.
 - ▶ RS-232 and RS-485 serial communication.
 - ▶ Analog and digital I/O drivers.
 - ▶ I²C, SPI, GPS, file system.
 - ▶ LCD display and keypad drivers.
- Powerful language extensions for cooperative or preemptive multitasking
- Loader utility program to load binary images into Rabbit targets in the absence of Dynamic C.
- Provision for customers to create their own source code libraries and augment on-line help by creating “function description” block comments using a special format for library functions.
- Standard debugging features:
 - ▶ Breakpoints—Set breakpoints that can disable interrupts.
 - ▶ Single-stepping—Step into or over functions at a source or machine code level, μ C/OS-II aware.
 - ▶ Code disassembly—The disassembly window displays addresses, opcodes, mnemonics, and machine cycle times. Switch between debugging at machine-code level and source-code level by simply opening or closing the disassembly window.
 - ▶ Watch expressions—Watch expressions are compiled when defined, so complex expressions including function calls may be placed into watch expressions. Watch expressions can be updated with or without stopping program execution.
 - ▶ Register window—All processor registers and flags are displayed. The contents of general registers may be modified in the window by the user.
 - ▶ Stack window—shows the contents of the top of the stack.
 - ▶ Hex memory dump—displays the contents of memory at any address.
 - ▶ **STDIO** window—`printf` outputs to this window and keyboard input on the host PC can be detected for debugging purposes. `printf` output may also be sent to a serial port or file.

4.1 Upgrading Dynamic C

4.1.1 Patches and Bug Fixes

Dynamic C patches that focus on bug fixes are available from time to time. Check the Web site www.rabbit.com/support/ for the latest patches, workarounds, and bug fixes.

The default installation of a patch or bug fix is to install the file in a directory (folder) different from that of the original Dynamic C installation. Rabbit recommends using a different directory so that you can verify the operation of the patch without overwriting the existing Dynamic C installation. If you have made any changes to the BIOS or to libraries, or if you have programs in the old directory (folder), make these same changes to the BIOS or libraries in the new directory containing the patch. Do *not* simply copy over an entire file since you may overwrite a bug fix; of course, you may copy over any programs you have written. Once you are sure the new patch works entirely to your satisfaction, you may retire the existing installation, but keep it available to handle legacy applications.

4.1.2 Upgrades

Dynamic C installations are designed for use with the board they are included with, and are included at no charge as part of our low-cost kits. Dynamic C is a complete software development system, but does not include all the Dynamic C features. Rabbit also offers add-on Dynamic C modules containing the popular μ C/OS-II real-time operating system, as well as PPP, Advanced Encryption Standard (AES), and other select libraries. In addition to the Web-based technical support included at no extra charge, a one-year telephone-based technical support module is also available for purchase.

4.2 Font and Bitmap Converter

A *Font and Bitmap Converter* tool is available to convert Windows fonts and monochrome bitmaps to a library file format compatible with Rabbit's Dynamic C applications and graphical displays. Non-Roman characters can also be converted by applying the monochrome bitmap converter to their bitmaps.

Start the *Font and Bitmap Converter* tool by double-clicking on the `fbmconvtr.exe` file in the Dynamic C directory. You then select and convert existing fonts or bitmaps. Complete instructions are available via the **Help** menu that is in the *Font and Bitmap Converter* tool.

Once you are done, the converted file is displayed in the editing window. Editing may be done, but should not be necessary. Save the file as `libraryfilename.lib`, where `libraryfilename` is a file name of your choice.

Add the library file(s) to applications with the statement `#use libraryfilename.lib`, or by cutting and pasting from the library file(s) you created into the application program.

TIP: If you used the `#use libraryfilename.lib` statement, remember to enter `libraryfilename.lib` into `lib.dir`, which is located in your Dynamic C directory.

You are now ready to add the font or bitmap to your application using the `glXFontInit` or the `glXPutBitmap` function calls.

4.3 Sample Programs

Sample programs are provided in the Dynamic C **Samples** folder. The sample program **PONG.C** demonstrates the output to the **STDIO** window.

The various directories in the **Samples** folder contain specific sample programs that illustrate the use of the corresponding Dynamic C libraries.

The **OP6800** folder provides sample programs specific to the OP6800. Each sample program has comments that describe the purpose and function of the program. Follow the instructions at the beginning of the sample program.

To run a sample program, open it with the **File** menu (if it is not still open), then compile and run it by pressing **F9**. The OP6800 must be in **Program** mode (see Section 3.4) and must be connected to a PC using the programming cable as described in Section 2.1.

More complete information on Dynamic C is provided in the *Dynamic C User's Manual*. TCP/IP specific functions are described in the *Dynamic C TCP/IP User's Manual*. Information on using the TCP/IP features and sample programs is provided in Section 5, "Using the TCP/IP Features."

4.3.1 Board ID

The following sample program can be found in the **SAMPLES\OP6800** subdirectory.

- **BOARD_ID.C**—Detects the type of single-board computer and displays the information in the **STDIO** window. For the OP6800, the **STDIO** window should show **OP6800**.

4.3.2 Demonstration Board

The following sample programs are found in the **DEMO_BD** subdirectory in **SAMPLES\OP6800**.

- **BUZZER.C**—Demonstrates the use of the buzzer on the Demonstration Board. Remember to set the jumper across pins 1–2 of header JP1 on the Demonstration Board (see Figure C-4) to enable the buzzer on. When you finish with **BUZZER.C**, it is recommended that you reconnect the jumper across pins 2–3 of header JP1 on the Demonstration Board to disable the buzzer.
- **KEYPAD.C**—Flashes the LED above a keypad button when the corresponding keypad button is pressed. The corresponding LED on the Demonstration Board will also flash if a keypad button in the top row of the keypad is pressed. A message is also displayed on the LCD.
- **SWITCHES.C**—Flashes the LED on the Demonstration Board and the OP6800 when the corresponding pushbutton switch on the Demonstration Board is pressed. A message is also displayed on the LCD.

4.3.3 Digital I/O

The following sample programs are found in the **IO** subdirectory in **SAMPLES\OP6800**.

- **DIGIN.C**—Demonstrates the use of the digital inputs. By pressing a pushbutton switch on the Demonstration Board, you can view an input channel toggle from **HIGH** to **LOW** on your PC monitor. The four pushbutton switches correspond to **IN00–IN03** on the OP6800. **IN04–IN12** can also be toggled by momentarily grounding the inputs.
- **DIGOUT.C**—Demonstrates the use of the sinking high-current outputs. By pressing a pushbutton switch on the Demonstration Board, you can view an output channel toggle the corresponding LEDs on/off. The four pushbutton switches correspond to **OUT07–OUT10**.

4.3.4 Serial Communication

The following sample programs are found in the **RS232** subdirectory in **SAMPLES\OP6800**.

- **PUTS.C**—Transmits and then receives an ASCII string on Serial Ports B and C. It also displays the serial data received from both ports in the **STDIO** window.
- **RELAYCHR.C**—This program echoes characters over Serial Port B to Serial Port C. It must be run with a serial utility such as Hyperterminal.

The following sample programs are found in the **RS485** subdirectory in **SAMPLES\OP6800**.

- **MASTER.C**—This program demonstrates a simple RS-485 transmission of lower case letters to a slave OP6800. The slave will send back converted upper case letters back to the master OP6800 and display them in the **STDIO** window. Use **SLAVE.C** to program the slave OP6800.
- **SLAVE.C**—This program demonstrates a simple RS-485 transmission of lower case letters to a slave OP6800. The slave will send back converted upper case letters back to the master OP6800 and display them in the **STDIO** window. Use **MASTER.C** to program the master OP6800.

4.3.5 LCD/Keypad Module Sample Programs

The following sample programs are found in the **122x32_1x7** subdirectory in **SAMPLES\LCD_Keypad**.

- **ALPHANUM.C**—Demonstrates how to create messages using the keypad and then displaying them on the LCD display.
- **COFTERMA.C**—Demonstrates cofunctions, the cofunction serial library, and using a serial ANSI terminal such as Hyperterminal from an available COM port connection.
- **DISPPONG.C**—Demonstrates output to LCD display.
- **DKADEMO1.C**—Demonstrates some of the LCD/keypad module font and bitmap manipulation features with horizontal and vertical scrolling, and using the **GRAPHIC.LIB** library.
- **FUN.C**—Demonstrates drawing primitive features (lines, circles, polygons) using the **GRAPHIC.LIB** library

- **KEYBASIC.C**—Demonstrates the following keypad functions in the **STDIO** display window:
 - default ASCII keypad return values.
 - custom ASCII keypad return values.
 - keypad repeat functionality.
- **KEYMENU.C**—Demonstrates how to implement a menu system using a highlight bar on a graphic LCD display. The menu options for this sample are as follows.
 1. Set Date/Time
 2. Display Date/Time
 3. Turn Backlight OFF
 4. Turn Backlight ON
 5. Toggle LEDs
 6. Increment LEDs
 7. Disable LEDs
- **LED.C**—Demonstrates how to toggle the LEDs on the LCD/keypad module.
- **SCROLLING.C**—Demonstrates scrolling features of the **GRAPHIC.LIB** library.
- **TEXT.C**—Demonstrates the text functions in the **GRAPHIC.LIB** library. Here is a list of what is demonstrated.
 1. Font initialization.
 2. Text window initialization.
 3. Text window, end-of-line wraparound, end-of-text window clipping, line feed, and carriage return.
 4. Creating 2 different TEXT windows for display.
 5. Displaying different FONT sizes.

4.3.6 TCP/IP Sample Programs

TCP/IP sample programs are described in Chapter 5.

4.4 OP6800 Libraries

The following library folders contain the libraries whose function calls are used to develop applications for the OP6800.

- **OP6800**—libraries associated with OP6800 serial communication, I/O, and initialization. The functions in the **OP68xx.LIB** library are described in Appendix D.
- **DISPLAYS\GRAPHIC**—libraries associated with the LCD display. The functions in these libraries are described in Appendix D.
- **KEYPADS**—libraries associated with the keypad. The functions in these libraries are described in Appendix D.
- **TCP/IP**—libraries specific to using TCP/IP functions. The functions in these libraries are described in the *Dynamic C TCP/IP User's Manual*.

Other generic functions applicable to all devices based on the Rabbit 2000 microprocessor are described in the *Dynamic C Function Reference Manual*.

5. USING THE TCP/IP FEATURES

Chapter 5 discusses using the TCP/IP features on the OP6800 boards. The TCP/IP feature is *not* available on OP6810 versions.

5.1 TCP/IP Connections

Before proceeding you will need to have the following items.

- If you don't have an Ethernet connection, you will need to install a 10Base-T Ethernet card (available from your favorite computer supplier) in your PC.
- Two RJ-45 straight-through Ethernet cables and a hub, or an RJ-45 crossover Ethernet cable.

The Ethernet cables and Ethernet hub are available from Rabbit in a TCP/IP tool kit. More information is available at www.rabbit.com.

1. Connect the AC adapter and the programming cable as shown in Chapter 2, "Getting Started."

2. Ethernet Connections

- If you do not have access to an Ethernet network, use a crossover Ethernet cable to connect the OP6800 to a PC that at least has a 10Base-T Ethernet card.
- If you have an Ethernet connection, use a straight-through Ethernet cable to establish an Ethernet connection to the OP6800 from an Ethernet hub. These connections are shown in Figure 19.

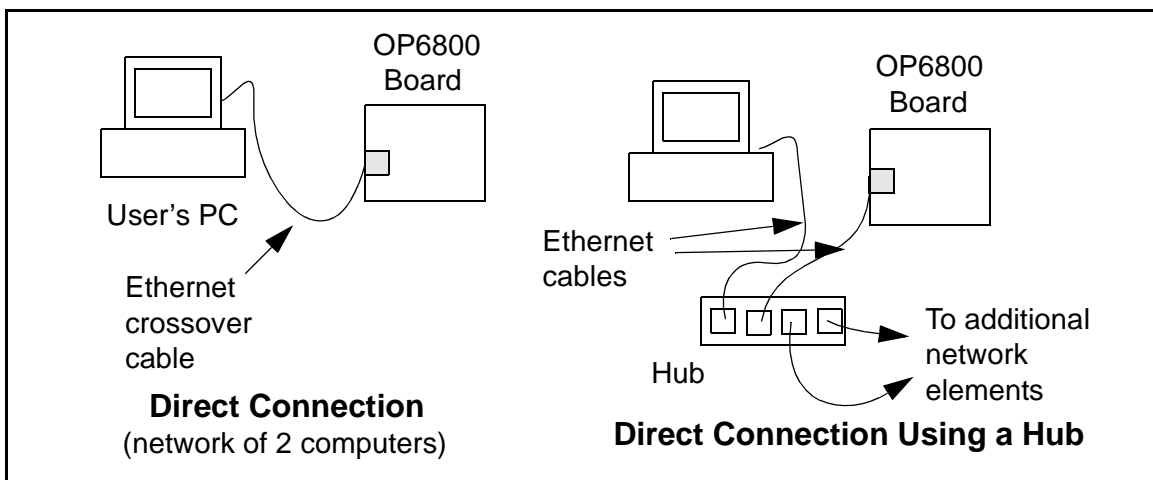


Figure 19. Ethernet Connections

3. Apply Power

Plug in the AC adapter. The OP6800 is now ready to be used.

NOTE: A hardware RESET is accomplished by unplugging the AC adapter, then plugging it back in, or by momentarily grounding the board reset input at pin 9 on screw terminal header J2.

The green **LNK** light on the OP6800 Rabbitcore module is on when the OP6800 is properly connected either to an Ethernet hub or to an active Ethernet card. The orange **ACT** light flashes each time a packet is received.

5.2 TCP/IP Sample Programs

We have provided a number of sample programs demonstrating various uses of TCP/IP for networking embedded systems. These programs require that you connect your PC and the OP6800 together on the same network. This network can be a local private network (preferred for initial experimentation and debugging), or a connection via the Internet.

5.2.1 How to Set IP Addresses in the Sample Programs

With the introduction of Dynamic C 7.30 we have taken steps to make it easier to run many of our sample programs. You will see a **TCPCONFIG** macro. This macro tells Dynamic C to select your configuration from a list of default configurations. You will have three choices when you encounter a sample program with the **TCPCONFIG** macro.

1. You can replace the **TCPCONFIG** macro with individual **MY_IP_ADDRESS**, **MY_NETMASK**, **MY_GATEWAY**, and **MY_NAMESERVER** macros in each program.
2. You can leave **TCPCONFIG** at the usual default of 1, which will set the IP configurations to 10.10.6.100, the netmask to 255.255.255.0, and the nameserver and gateway to 10.10.6.1. If you would like to change the default values, for example, to use an IP address of 10.1.1.2 for the Coyote board, and 10.1.1.1 for your PC, you can edit the values in the section that directly follows the “General Configuration” comment in the **TCP_CONFIG.LIB** library. You will find this library in the **LIB\TCPIP** directory.
3. You can create a **CUSTOM_CONFIG.LIB** library and use a **TCPCONFIG** value greater than 100. Instructions for doing this are at the beginning of the **TCP_CONFIG.LIB** library in the **LIB\TCPIP** directory.

There are some other “standard” configurations for **TCPCONFIG** that let you select different features such as DHCP. Their values are documented at the top of the **TCP_CONFIG.LIB** library in the **LIB\TCPIP** directory. More information is available in the *Dynamic C TCP/IP User’s Manual*.

IP Addresses Before Dynamic C 7.30

Most of the sample programs use macros to define the IP address assigned to the board and the IP address of the gateway, if there is a gateway.

```
#define MY_IP_ADDRESS "216.112.116.155"  
#define MY_NETMASK "255.255.255.248"  
#define MY_GATEWAY "216.112.116.153"
```

In order to do a direct connection, the following IP addresses can be used for the OP6800:

```
#define MY_IP_ADDRESS "10.1.1.2"  
#define MY_NETMASK "255.255.255.248"  
// #define MY_GATEWAY "216.112.116.153"
```

In this case, the gateway is not used and is commented out. The IP address of the board is defined to be 10.1.1.2. The IP address of your PC can be defined as 10.1.1.1.

5.2.2 How to Set Up Your Computer for Direct Connect

Follow these instructions to set up your PC or notebook. Check with your administrator if you are unable to change the settings as described here since you may need administrator privileges. The instructions are specifically for Windows 2000, but the interface is similar for other versions of Windows.

TIP: If you are using a PC that is already on a network, you will disconnect the PC from that network to run these sample programs. Write down the existing settings before changing them to facilitate restoring them when you are finished with the sample programs and reconnect your PC to the network.

1. Go to the control panel (**Start > Settings > Control Panel**), and then double-click the Network icon.
2. Select the network interface card used for the Ethernet interface you intend to use (e.g., **TCP/IP Xircom Credit Card Network Adapter**) and click on the “Properties” button. Depending on which version of Windows your PC is running, you may have to select the “Local Area Connection” first, and then click on the “Properties” button to bring up the Ethernet interface dialog. Then “Configure” your interface card for a “10Base-T Half-Duplex” or an “Auto-Negotiation” connection on the “Advanced” tab.

NOTE: Your network interface card will likely have a different name.

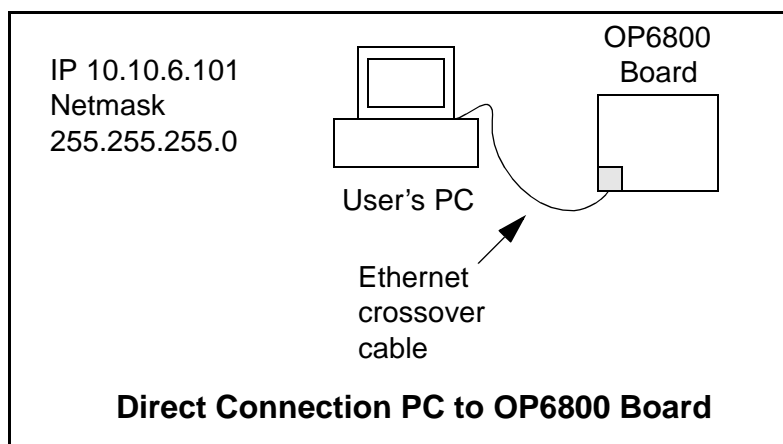
3. Now select the **IP Address** tab, and check **Specify an IP Address**, or select TCP/IP and click on “Properties” to assign an IP address to your computer (this will disable “obtain an IP address automatically”):

IP Address : 10.10.6.101

Netmask : 255.255.255.0

Default gateway : 10.10.6.1

4. Click **<OK>** or **<Close>** to exit the various dialog boxes.



5.2.3 Run the PINGME.C Demo

Connect a crossover cable from your computer's Ethernet port to the OP6800's RJ-45 Ethernet connector. Open this sample program from the **SAMPLES\TCPIP\ICMP** folder, compile the program, and start it running under Dynamic C. When the program starts running, the green **LNK** light on the OP6800 should be on to indicate an Ethernet connection is made. (Note: If the **LNK** light does not light, you may not have a crossover cable, or if you are using a hub perhaps the power is off on the hub or you are not using a straight-through Ethernet cable.)

The next step is to ping the board from your PC. This can be done by bringing up the MS-DOS window and running the ping program:

```
ping 10.10.6.100
```

or by **Start > Run**

and typing the command

```
ping 10.10.6.100
```

Notice that the orange **ACT** light flashes on the OP6800 while the ping is taking place, and indicates the transfer of data. The ping routine will ping the board four times and write a summary message on the screen describing the operation.

5.2.4 Running More Demo Programs With a Direct Connection

The program **SSI.C** (**SAMPLES\OP6800\TCPIP**) demonstrates how to make the OP6800 a Web server. This program allows you to turn the LEDs on an attached Demonstration Board from the Tool Kit on and off from a remote Web browser. LED0 and LED1 on the OP6800 (LED1 and LED2 on the Demonstration Board) will match those on the Web page. As long as you have not modified the **TCPCONFIG 1** macro in the sample program, enter the following server address in your Web browser to bring up the Web page served by the sample program.

```
http://10.10.6.100.
```

Otherwise use the TCP/IP settings you entered in the **LIB\TCPIP\TCP_CONFIG.LIB** library.

The sample program **TELNET.C** (**SAMPLES\OP6800\TCPIP**) allows you to communicate with the OP6800 using the Telnet protocol. This program takes anything that comes in on a port and sends it out Serial Port B. It uses digital input IN00 (which is connected to Demonstration Board switch SW1) to indicate that the TCP/IP connection should be closed and high-current output OUT01 to indicate that there is an active connection. You may change the digital input and output to suit your application needs.

Follow the instructions included in the sample program. Run the Telnet program on your PC (**Start > Run telnet 10.10.6.100**). As long as you have not modified the **TCP_CONFIG 1** macro in the sample program, the IP address is 10.10.6.100 as shown; otherwise use the TCP/IP settings you entered in the **TCP_CONFIG.LIB** library. Each character you type will be printed in Dynamic C's **STDIO** window, indicating that the board is receiving the characters typed via TCP/IP.

5.2.5 LCD/Keypad Sample Programs Showing TCP/IP Features

The following sample programs, found in the **TCPIP** subdirectory in **SAMPLES/LCD_Keypad/122x32_1x7**, are targeted at the Ethernet-enabled versions of the OP6800. Remember to configure the IP address, netmask, and gateway as indicated in the sample programs.

- **MBOXDEMO.C**—This program implements a web server that allows Web e-mail messages to be entered that are then shown on the LCD display. The keypad allows you to scroll within messages, flip to other e-mails, mark messages as read, and delete e-mails. When a new e-mail arrives, an LED turns on, and turns off once the message has been marked as read. A log of all e-mail actions is kept, and can be displayed in the Web browser. All current e-mails can also be read with the Web browser.

When using **MBOXDEMO.C**, connect the OP6800 and a PC (or other device with a Web Browser) to an Ethernet. If you connect the PC and the OP6800 directly, be sure to use a crossover Ethernet cable; straight-through Ethernet cables and a hub may be used instead.

- **TCP_RESPOND.C**—This program and **TCP_SEND.C** are executed on two separate single-board computers to demonstrate how the two boards communicate with each other. Use **PCSEND.EXE** on the PC console side at the command prompt if you do not have a second board. **PCSEND.EXE** is located with source code in the **SAMPLES/LCD_Keypad/Windows** directory.

TCP_RESPOND.C waits for a message from another single-board computer. The message received is displayed on the LCD, and you may respond by pressing a key on the keypad. The response is then sent to the remote single-board computer.

- **TCPSEND.C**—This program and **TCP_RESPOND.C** are executed on two separate single-board computers to demonstrate how the two boards communicate with each other. Use **PCRESPOND.EXE** on the PC console side at the command prompt if you do not have a second board. **PCRESPOND.EXE** is located with source code in the **SAMPLES/LCD_Keypad/Windows** directory.

When a key on the keypad is pressed, a message associated with that key is sent to a specified destination address and port. The destination then responds to that message. The response is displayed on the LCD.

Note that only the **LEFT** and **UP** scroll keys are set up to cause a message to be sent.

When using **TCPSEND.C** and **TCP_RESPOND.C**, connect the OP6800 and the other single-board computer to an Ethernet. If you connect them directly, be sure to use a crossover Ethernet cable; straight-through Ethernet cables and a hub may be used instead.

5.3 Where Do I Go From Here?

NOTE: If you purchased your OP6800 through a distributor or Rabbit partner, contact the distributor or partner first for technical support.

If there are any problems at this point:

- Use the Dynamic C **Help** menu to get further assistance with Dynamic C.
- Check the Rabbit Technical Bulletin Board and forums at www.rabbit.com/support/bb/ and at www.rabbit.com/forums/.
- Use the Technical Support e-mail form at www.rabbit.com/support/.

If the sample programs ran fine, you are now ready to start developing your own application.

Additional sample programs are described in the *Dynamic C TCP/IP User's Manual*.

Refer to the *Dynamic C TCP/IP User's Manual* to develop your own applications. *An Introduction to TCP/IP* provides background information on TCP/IP, and is available on the Dynamic C CD and on our [Web site](#).

6. INSTALLATION AND MOUNTING GUIDELINES

Chapter 6 describes some considerations for mounting the OP6800 in a panel, and includes detailed mounting instructions.

6.1 Installation Guidelines

When possible, following these guidelines when mounting an OP6800.

1. Leave sufficient ventilation space.
2. Do not install the OP6800 directly above machinery that radiates a lot of heat (for example, heaters, transformers, and high-power resistors).
3. Leave at least 8" (20 cm) distance from electric power lines and even more from high-voltage devices.
4. When installing the OP6800 near devices with strong electrical or magnetic fields (such as solenoids), allow a least 3" (8 cm), more if necessary.

The OP6800 has strong environmental resistance and high reliability, but you can maximize system reliability by avoiding or eliminating the following conditions at the installation site.

- Abrupt temperature changes and condensation
- Ambient temperatures exceeding a range of 0°C to 50°C
- Relative humidity exceeding a range of 5% to 95%
- Strong magnetism or high voltage
- Corrosive gasses
- Direct vibration or shock
- Excessive iron dust or salt
- Spray from harsh chemicals

6.2 Mounting Instructions

A bezel and a gasket are included with the OP6800. When properly mounted in a panel, the bezel of the OP6800 is designed to meet NEMA 4 specifications for water resistance.

Since the OP6800 employs an LCD display, the viewing angle must be considered when mounting the display. Install the OP6800 at a height and angle that makes it easy for the operator to see the screen.

6.2.1 Bezel-Mount Installation

This section describes and illustrates how to bezel-mount the OP6800. Follow these steps for bezel-mount installation.

1. Cut mounting holes in the mounting panel in accordance with the recommended dimensions in Figure 20, then use the bezel faceplate to mount the OP6800 onto the panel.

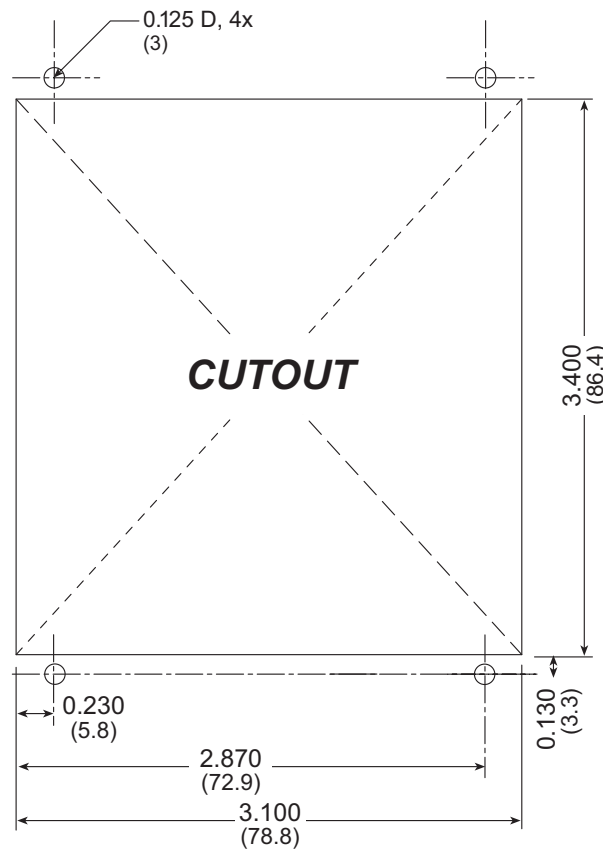


Figure 20. Recommended Cutout Dimensions

2. Remove the standoffs added to the OP6800 as described in Chapter 2, “Getting Started.” The standoffs were used to prop up the OP6800 beside the Demonstration Board, and are not needed to mount the OP6800.
3. Carefully “drop in” the OP6800 with the bezel and gasket attached.

4. Fasten the unit with the four 4-40 screws and washers included with the OP6800. If your panel is thick, use a 4-40 screw that is approximately 3/16" (5 mm) longer than the thickness of the panel.

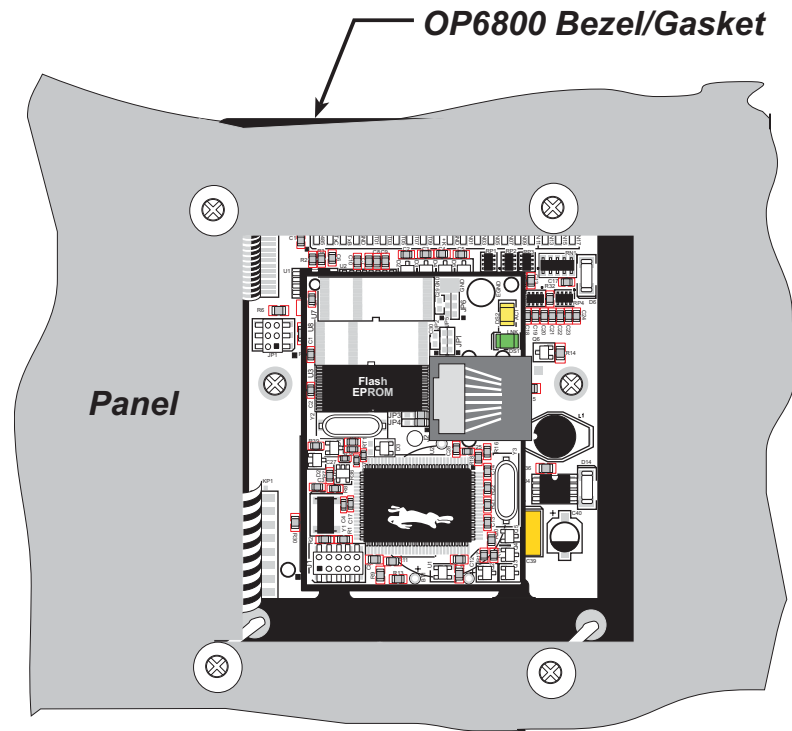


Figure 21. OP6800 Mounted in Panel (rear view)

Carefully tighten the screws until the gasket is compressed and the plastic bezel faceplate is touching the panel.

Do not tighten each screw fully before moving on to the next screw. Apply only one or two turns to each screw in sequence until all are tightened manually as far as they can be so that the gasket is compressed and the plastic bezel faceplate is touching the panel.



APPENDIX A. SPECIFICATIONS

Appendix A provides the specifications for the OP6800 and describes the conformal coating.

A.1 Electrical and Mechanical Specifications

Figure A-1 shows the mechanical dimensions for the OP6800.

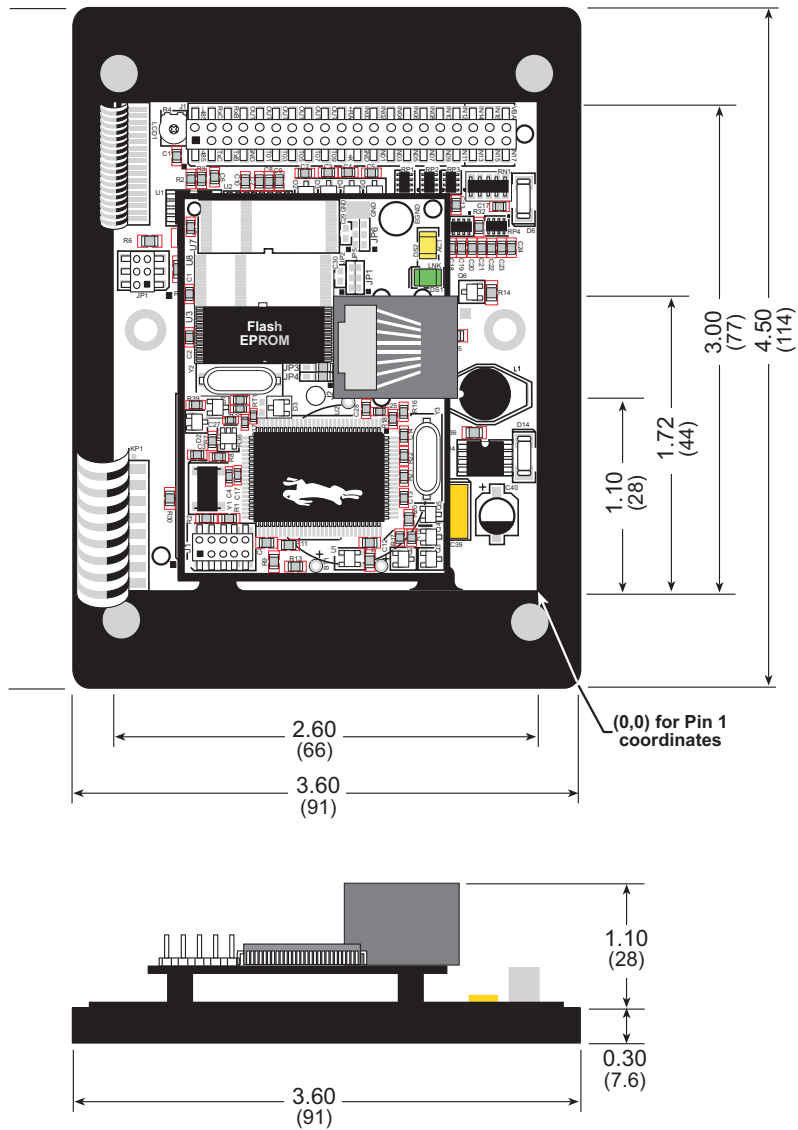


Figure A-1. OP6800 Dimensions

NOTE: All measurements are in inches followed by millimeters enclosed in parentheses.

Table A-1 provides the pin 1 locations for the OP6800 headers as viewed in Figure A-1.

**Table A-1. OP6800 Header J1
Pin 1 Locations**

Header	Pin 1 (x,y) Coordinates (inches)
J1	(-2.101, 2.720)

It is recommended that you allow for an “exclusion zone” of 0.25" (6 mm) around the OP6800 in all directions when the OP6800 is incorporated into an assembly that includes other components. This “exclusion zone” that you keep free of other components and boards will allow for sufficient air flow, and will help to minimize any electrical or EMI interference between adjacent boards. Figure A-2 shows this “exclusion zone.”

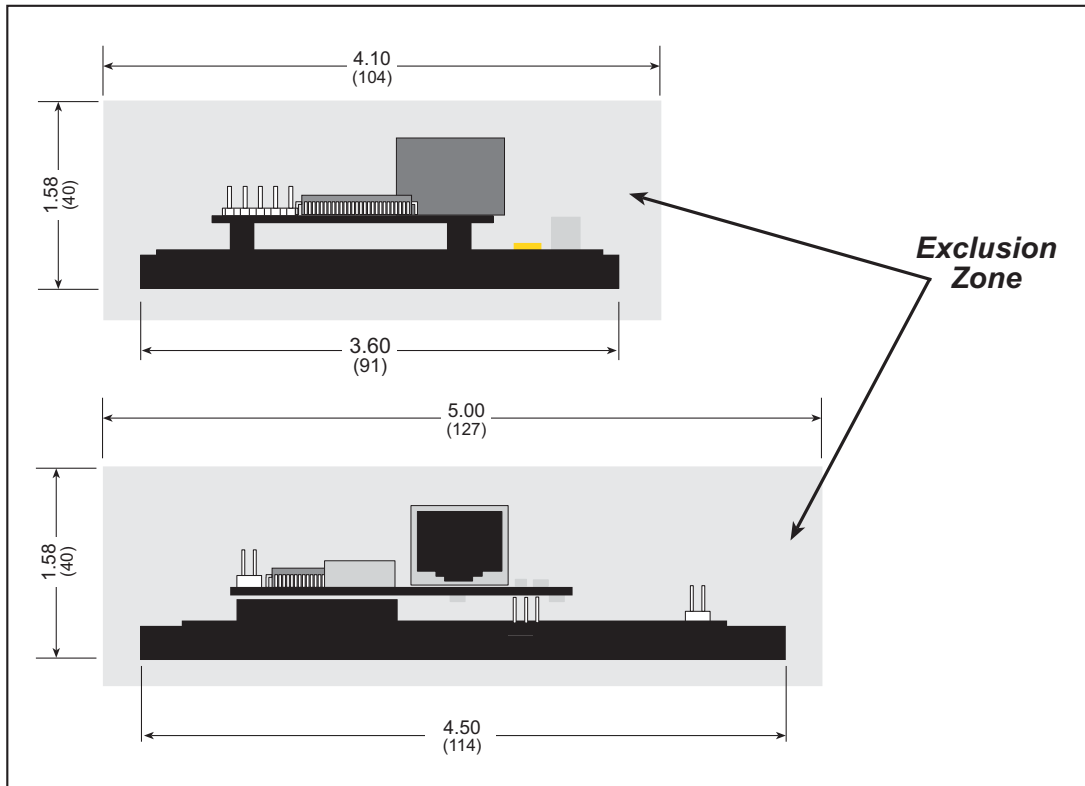


Figure A-2. OP6800 “Exclusion Zone”

Table A-2 lists the electrical, mechanical, and environmental specifications for the OP6800.

Table A-2. OP6800 Specifications

Feature	OP6800	OP6810
Microprocessor	Rabbit [®] 2000 at 22.1 MHz	
Ethernet Port	10Base-T, RJ-45	None
Flash EPROM	256K	
SRAM	128K	
Backup Battery	Connection for user-supplied battery (to support RTC and SRAM)	
Keypad/Display	122 × 32 pixel graphic LCD (with programmable backlight), user-releghendable keypad with 7-key/7-LED interface	
LEDs	7 hardware- or software-driven: 1 red, 4 green, 2 yellow	
Digital Inputs	13 total: 8 protected to ± 36 V DC, 5 protected to ± 25 V DC	
Digital Outputs	11 total: sink 200 mA, 40 V DC max., 4 with built-in inductive load-protection diode	
Serial Ports	4 serial ports: <ul style="list-style-type: none"> • two 3-wire RS-232 or one RS-232 (with CTS/RTS) • one RS-485, onboard network termination and bias resistors • one 5 V CMOS-compatible programming port 	
Serial Rate	Max. burst rate = CLK/32 Max. sustained rate = CLK/64	
Connectors	one RJ-45 (Ethernet) one 2 × 20, 0.1" pitch IDC header	one 2 × 20, 0.1" pitch IDC header
Real-Time Clock	Yes	
Timers	Five 8-bit timers, one 10-bit timer with two match registers, five timers are cascable	
Watchdog/Supervisor	Yes	
Power	9 V to 36 V DC, 1.5 W max.	
Temperature	Operating Range: 0°C to +50°C Storage Range: -40°C to +85°C	
Humidity	5% to 95%, noncondensing	
Board Size	2.60" × 3.00" × 1.10" (66 mm × 76 mm × 28 mm)	
Bezel Size	4.50" × 3.60" × 0.30" (114 mm × 91 mm × 7.6 mm)	

A.2 Conformal Coating

The areas around the crystal oscillator and the battery backup circuit on the OP6800 module have had the Dow Corning silicone-based 1-2620 conformal coating applied. The conformally coated areas are shown in Figure A-3. The conformal coating protects these high-impedance circuits from the effects of moisture and contaminants over time.

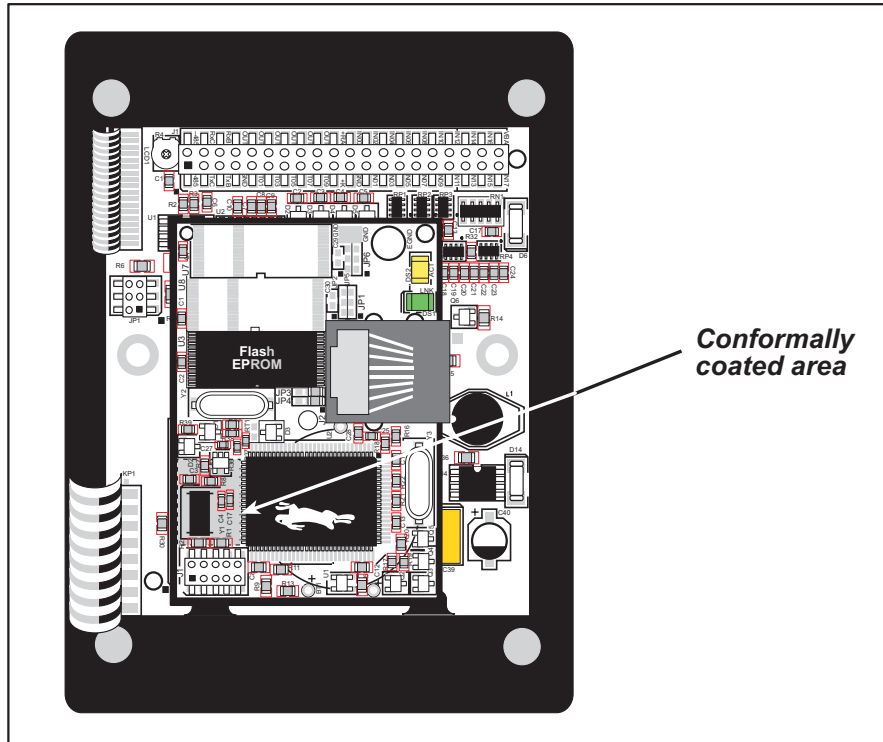


Figure A-3. OP6800 Areas Receiving Conformal Coating

Any components in the conformally coated area may be replaced using standard soldering procedures for surface-mounted components. A new conformal coating should then be applied to offer continuing protection against the effects of moisture and contaminants.

NOTE: For more information on conformal coatings, refer to Rabbit Technical Note 303, *Conformal Coatings*.

A.3 Jumper Configurations

Figure A-4 shows the header locations used to configure the various OP6800 options via jumpers.

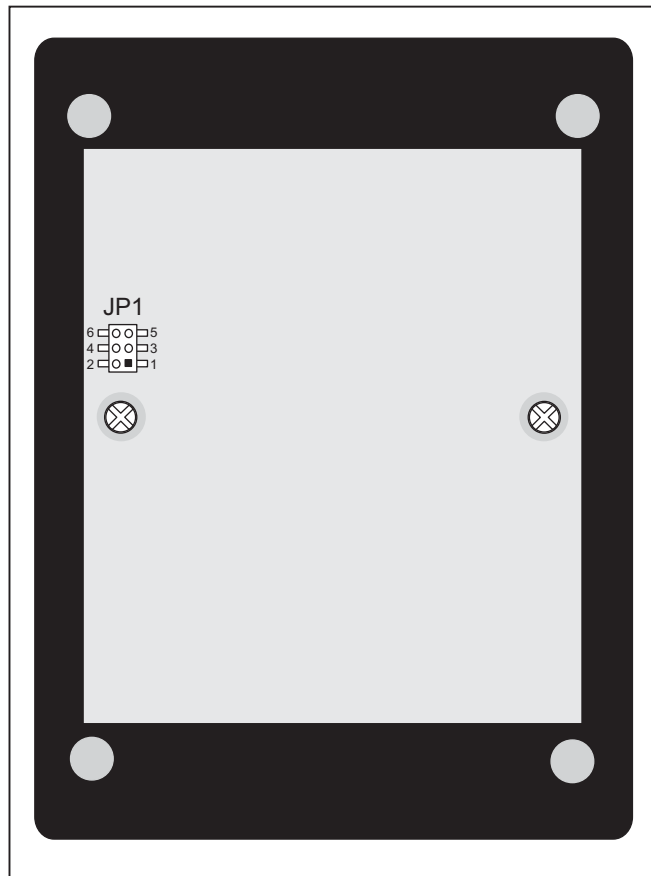


Figure A-4. Location of BL2100 Configurable Positions

Table A-3 lists the configuration options.

Table A-3. OP6800 Jumper Configurations

Header	Description	Pins Connected		Factory Default
JP1	RS-485 Bias and Termination Resistors	1–2 5–6	Bias and termination resistors connected	×
		1–3 4–6	Bias and termination resistors <i>not</i> connected*	

* Although pins 1–3 and 4–6 of header JP1 are shown “jumpared” for the termination and bias resistors *not* connected, pins 3 and 4 are not actually connected to anything, and this configuration is a “parking” configuration for the jumpers so that they will be readily available should you need to enable the termination and bias resistors in the future.

A.4 Use of Rabbit 2000 Parallel Ports

Figure A-5 shows the Rabbit 2000 parallel ports.

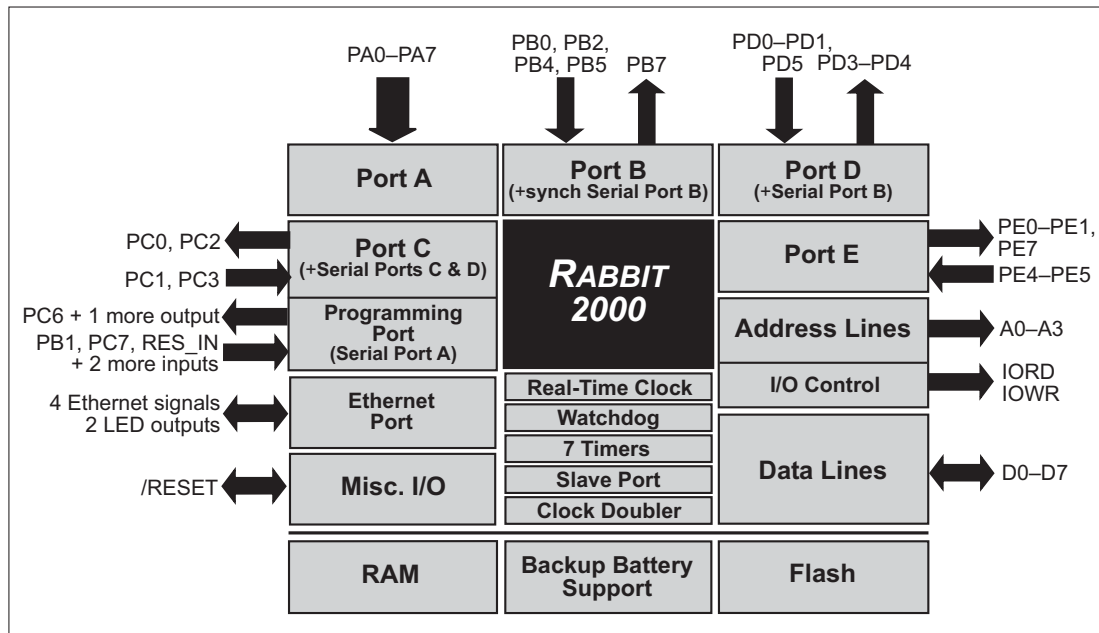


Figure A-5. OP6800 Rabbit-Based Subsystems

Table A-4 lists the Rabbit 2000 parallel ports and their use in the OP6800.

Table A-4. Use of Rabbit 2000 Parallel Ports

Port	I/O	Signal	Output Function State
PA0	Input	IN00	Pulled up
PA1	Input	IN01	Pulled up
PA2	Input	IN02	Pulled up
PA3	Input	IN03	Pulled up
PA4	Input	IN04	Pulled up
PA5	Input	IN05	Pulled up
PA6	Input	IN06	Pulled up
PA7	Input	IN07	Pulled up
PB0	Input	IN08	Pulled up
PB1	Input	Not Used	Pulled up
PB2	Input	IN09	Pulled up
PB3	Input	IN10	Pulled up

Table A-4. Use of Rabbit 2000 Parallel Ports (continued)

Port	I/O	Signal		Output Function State
PB4	Input	IN11		Pulled up
PB5	Input	Connected to PB7		Driven by PB7
PB6	Output	Not Used		Low
PB7	Output	Connected to PB5		Low
PC0	Output	TXD RS-485	Serial Port D	Inactive high
PC1	Input	RXD RS-485		Inactive high
PC2	Output	RTS/TXC RS-232	Serial Port C	Inactive high
PC3	Input	CTS/RXC RS-232		Inactive high
PC4	Output	TPOUT– (Realtek reset)		Initialized by <code>sock_init</code>
PC5	Input	TPOUT+ (Realtek INT0)		Pulled up
PC6	Output	TXA Programming Port	Serial Port A	Inactive high
PC7	Input	RXA Programming Port		Pulled up
PD0	Input Output	Realtek CLK (OP6800) Not used (OP6810)		Initialized by <code>sock_init</code> Low
PD1	Input Output	Realtek SDO (OP6800) Not used (OP6810)		Initialized by <code>sock_init</code> Low
PD2	Output	Not used		Low
PD3	Output	OUT07		Low (output driver off)
PD4	Output	ATXB RS-232	Serial Port B	Inactive high
PD5	Input	ARXB RS-232		Inactive high
PD6	Output	Not used		Low
PD7	Output	Not used		Low
PE0	Output	RS-485 control register		Low (Tx disabled)
PE1	Output	OUT08		Low (output driver off)
PE2	N/A Output	Realtek IORB strobe (OP6800) Not used (OP6810)		Initialized by <code>sock_init</code> Low
PE3	N/A Output	Realtek SDI line (OP6800) Not used (OP6810)		Initialized by <code>sock_init</code> Low
PE4	Output	OUT09		Low (output driver off)
PE5	Output	OUT10		Low (output driver off)
PE6	N/A Output	Realtek IOWB strobe (OP6800) Not used (OP6810)		Initialized by <code>sock_init</code> Low
PE7	Output	LCD_KEYPAD strobe		Inactive high

A.5 I/O Address Assignments

Table A-5 lists the external I/O addresses for the display and keypad I/O.

Table A-5. Display and Keypad Output Addresses

External Address	Name	Function
E000–E007	LCD	LCD control
E008	EN	Output enable for LEDs
E00A	KPEN	Read keypad and IN12
E00B	LED	LED0–LED6 and LCD backlight

PE7 serves as a system-enable control and LCD/keypad strobe. When PE7 is high or in a high-impedance status, all OP6800 outputs are disabled (digital outputs and display outputs are disabled, and RS-485 is at listen status).

APPENDIX B. POWER SUPPLY

Appendix B describes the power circuitry provided on the OP6800.

B.1 Power Supplies

Power is supplied to the OP6800 via pins 20 and 21 of header J1, which is connected by a ribbon cable to either the Demonstration Board or to your system. The OP6800 is protected against reverse polarity by a diode at D6 as shown in Figure B-1.

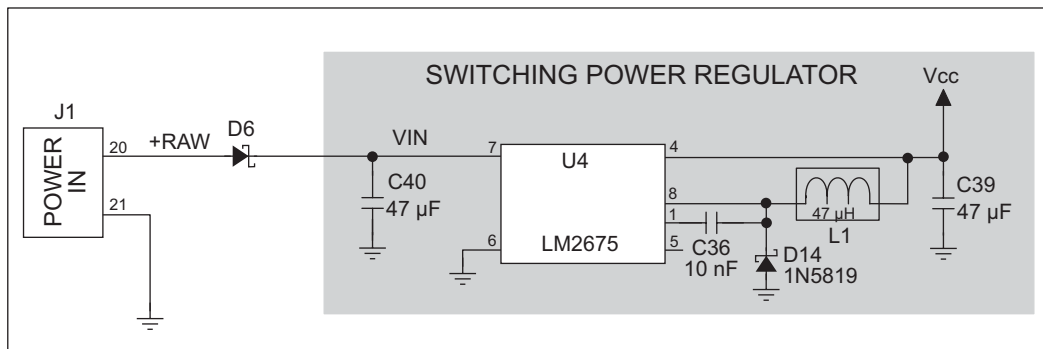


Figure B-1. OP6800 Power Supply

The input voltage range is from 9 V to 36 V. A switching power regulator is used to provide a V_{cc} of +5 V for the OP6800 logic circuits. V_{cc} is not accessible to the user.

NOTE: In addition to supplying +RAW to the OP6800 switching power regulator, the Demonstration Board has its own independent linear power regulator to supply the electronics in the demonstration area of the Demonstration Board. See Appendix C for more information.

B.2 Batteries and External Battery Connections

The SRAM and the real-time clock have provision for battery backup. Power to the SRAM and the real-time clock (VRAM) is provided by two different sources, depending on whether the main part of the OP6800 is powered or not. When the OP6800 is powered normally, and Vcc is within operating limits, the SRAM and the real-time clock are powered from Vcc. If power to the board is lost or falls below 4.63 V, the VRAM and real-time clock power must come from a backup battery in your system which you would connect to pin 40 of header J1 on the OP6800 via the ribbon cable. The backup battery should be able to supply 2.85 V–3.15 V at 10 μ A.

The reset generator circuit controls the source of power by way of its **/RESET** output signal.

B.2.1 Battery-Backup Circuit

Figure B-1 shows the battery-backup circuit located on the OP6800 module.

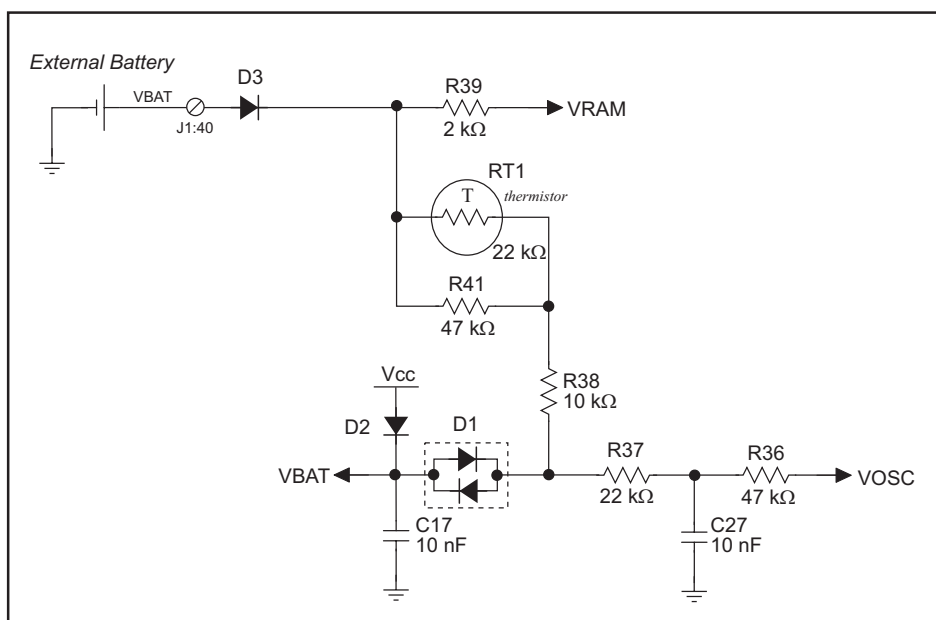


Figure B-1. OP6800 Backup Battery Circuit

The battery-backup circuit serves three purposes:

- It reduces the battery voltage to the SRAM and to the real-time clock, thereby limiting the current consumed by the real-time clock and lengthening the battery life.
- It ensures that current can flow only *out* of the battery to prevent charging the battery.
- A voltage, VOSC, is supplied to U6, which keeps the 32.768 kHz oscillator working when the voltage begins to drop.

VRAM and Vcc are nearly equal (<100 mV, typically 10 mV) when power is supplied to the OP6800.

B.2.2 Power to VRAM Switch

The VRAM switch on the OP6800 module, shown in Figure B-1, allows the battery backup to provide power when the external power goes off. The switch provides an isolation between Vcc and the battery when Vcc goes low. This prevents the Vcc line from draining the battery.

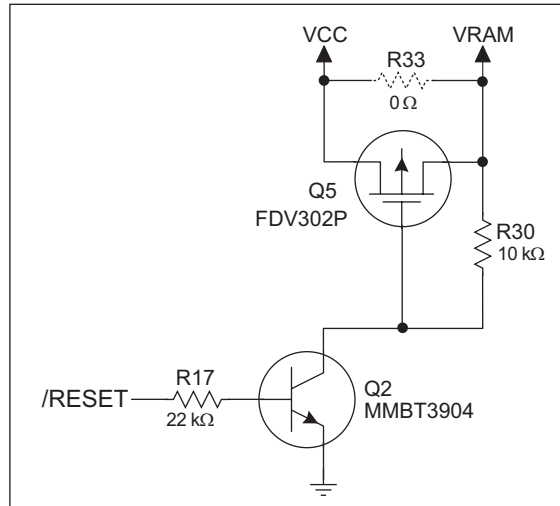


Figure B-1. VRAM Switch

Field-effect transistor Q5 is needed to provide a very small voltage drop between Vcc and VRAM (<100 mV, typically 10 mV) so that the board components powered by Vcc will not have a significantly different voltage than VRAM.

When the OP6800 is *not* in reset, the **/RESET** line will be high. This turns on Q2, causing its collector to go low. This turns on Q5, allowing VRAM to nearly equal Vcc.

When the OP6800 *is* in reset, the **/RESET** line will go low. This turns off Q2 and Q5, providing an isolation between Vcc and VRAM.

B.2.3 Reset Generator

The OP6800 module uses a reset generator on the module, U1, to reset the Rabbit 2000 microprocessor when the voltage drops below the voltage necessary for reliable operation. The reset occurs between 4.50 V and 4.75 V, typically 4.63 V.

B.3 Chip Select Circuit

Figure B-1 shows a schematic of the chip select circuit located on the OP6800 module.

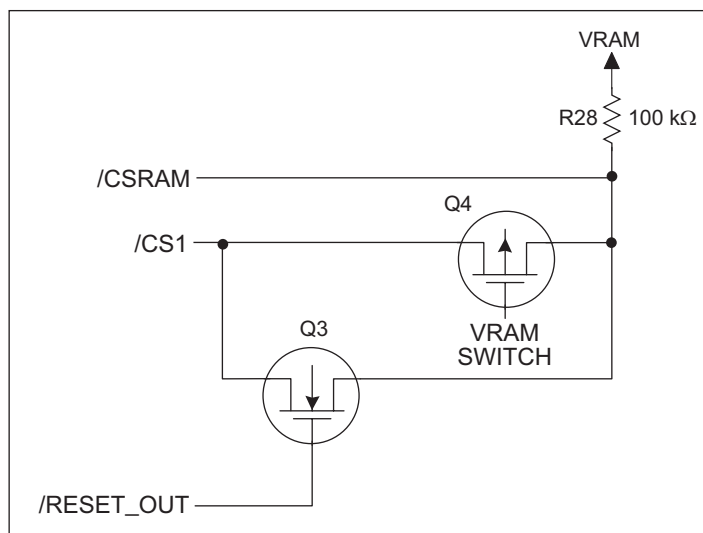


Figure B-1. Chip Select Circuit

The current drain on the battery in a battery-backed circuit must be kept at a minimum. When the OP6800 is not powered, the battery keeps the SRAM memory contents and the real-time clock (RTC) going. The SRAM has a powerdown mode that greatly reduces power consumption. This powerdown mode is activated by raising the chip select (CS) signal line. Normally the SRAM requires V_{cc} to operate. However, only 2 V is required for data retention in powerdown mode. Thus, when power is removed from the circuit, the battery voltage needs to be provided to both the SRAM power pin and to the CS signal line. The CS control circuit accomplishes this task for the SRAM's chip select signal line.

In a powered-up condition, the CS control circuit must allow the processor's chip select signal /CS1 to control the SRAM's CS signal /CSRAM. So, with power applied, /CSRAM must be the same signal as /CS1, and with power removed, /CSRAM must be held high (but only needs to be battery voltage high). Q3 and Q4 are MOSFET transistors with complementary polarity. They are both turned on when power is applied to the circuit. They allow the CS signal to pass from the processor to the SRAM so that the processor can periodically access the SRAM. When power is removed from the circuit, the transistors will turn off and isolate /CSRAM from the processor. The isolated /CSRAM line has a 100 k Ω pullup resistor to VRAM (R28). This pullup resistor keeps /CSRAM at the VRAM voltage level (which under no power condition is the backup battery's regulated voltage at a little more than 2 V).

Transistors Q3 and Q4 are of opposite polarity so that a rail-to-rail voltage can be passed. When the /CS1 voltage is low, Q3 will conduct. When the /CS1 voltage is high, Q4 conducts. It takes time for the transistors to turn on, creating a propagation delay. This propagation delay is typically very small, about 10 ns to 15 ns.



APPENDIX C. DEMONSTRATION BOARD

Appendix C describes the features and accessories of the Demonstration Board, and explains the use of the Demonstration Board to demonstrate the OP6800 and to build prototypes of your own circuits.

C.1 Mechanical Dimensions and Layout

Figure C-1 shows the mechanical dimensions and layout for the OP6800 Demonstration Board.

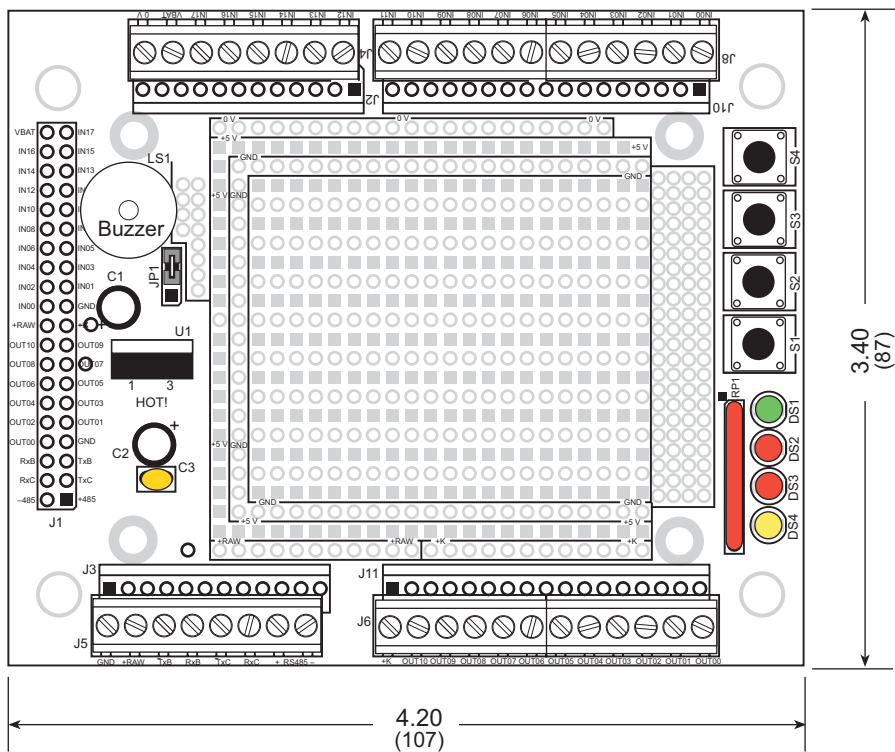


Figure C-1. OP6800 Demonstration Board Dimensions

Table C-1 lists the electrical, mechanical, and environmental specifications for the Demonstration Board.

Table C-1. Demonstration Board Specifications

Parameter	Specification
Board Size	3.40" × 4.20" × 1.19" (87 mm × 107 mm × 30 mm)
Operating Temperature	−40°C to +70°C
Humidity	5% to 95%, noncondensing
Input Voltage	7.5 V to 25 V DC
Maximum Current Draw (including user-added circuits)	140 mA at 12 V and 25°C, 100 mA at 12 V and 70°C
Prototyping Area	1.7" × 2.1" (43 mm × 53 mm) through hole, 0.1" spacing
Standoffs/Spacers	4, accept 4-40 x 11/8 screws

C.2 Power Supply

The OP6800 requires an unregulated +RAW power input of 9 V to 36 V DC, which can be supplied from the Demonstration Board through the ribbon cable connection. The OP6800 has its own switching voltage regulator.

Figure C-2 shows the distribution of the +RAW input power to the OP6800 through the Demonstration Board. The reference grounds on the OP6800, GND, and on the Demonstration Board, 0 V, are tied together at one connection point only to avoid creating a ground loop, which could lead to considerable electromagnetic interference.

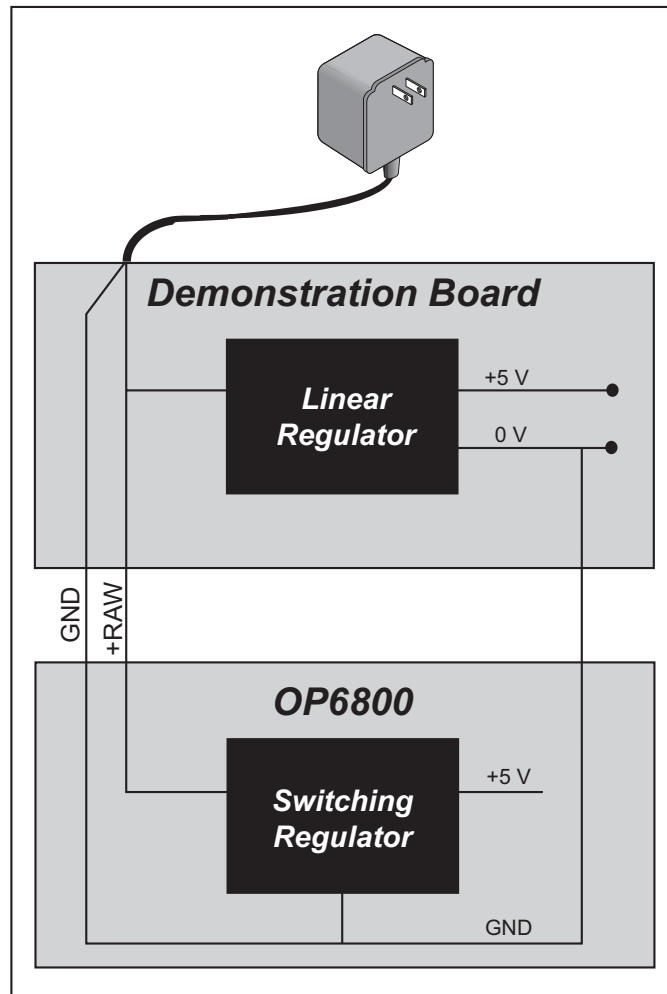


Figure C-2. Power Distribution to OP6800 and Demonstration Board

The Demonstration Board has an onboard LM7805 linear regulator for the circuits on the Demonstration Board only. Its major drawback is its inefficiency, which is directly proportional to the voltage drop across it. The voltage drop creates heat and wastes power.

You may wish to use a switching power supply in your applications where better efficiency is desirable. The LM2575 is an example of an easy-to-use switching voltage regulator. This part greatly reduces the heat dissipation of the regulator. The drawback in using a switching voltage regulator is its higher cost.

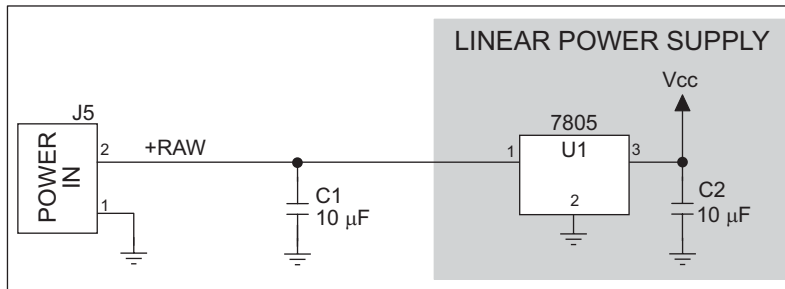


Figure C-3. Demonstration Board Power Supply

Capacitor C1 provides surge current protection for the voltage regulator, and allows the external power supply to be located some distance away.

Be careful to limit the current draw in any prototype circuits you build on the prototyping area of the Demonstration Board to avoid operating the linear regulator outside its recommended limits. The LEDs and buzzer together can draw up to 70 mA, which still leaves some current capacity for your own circuits (see Table C-1) if you plan to use them with the LEDs and the buzzer.

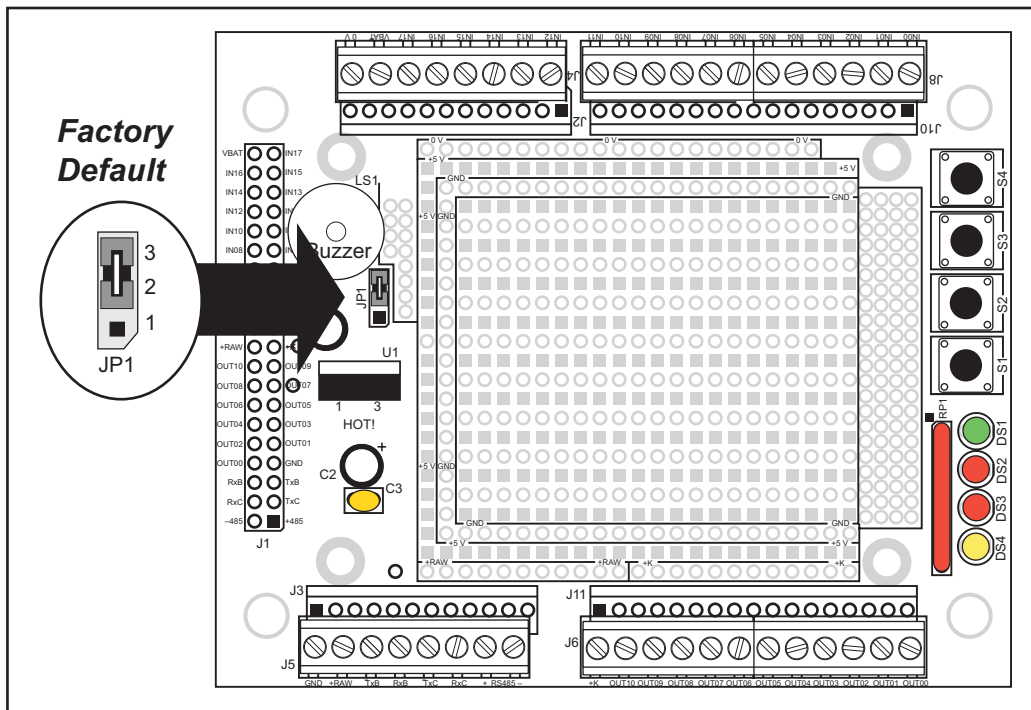
If you need additional current from the linear regulator beyond that specified in Table C-1, consider adding a heat sink to the linear regulator (remember to use silicone grease between the tab and the heat sink), or use a lower voltage power supply.

C.3 Using the Demonstration Board

The Demonstration Board is actually both a demonstration board and a prototyping board. As a demonstration board, it can be used to demonstrate the functionality of the OP6800 right out of the box without any modifications to either board. There are no jumpers or dip switches to configure or misconfigure on the Demonstration Board so that the initial setup is very straightforward.

The Demonstration Board comes with the basic components necessary to demonstrate the operation of the OP6800. Four LEDs (DS1–DS4) are connected to OUT07–OUT10, and four switches (S1–S4) are connected to IN00–IN03 to demonstrate the interface to the OP6800.

The Demonstration Board has a buzzer that is normally off. The buzzer can be enabled to be on by setting the jumper across pins 1–2 on header JP1 on the Demonstration Board as shown in Figure C-4. When enabled on, the buzzer will sound whenever the OUT0 digital output on the OP6800 is on.



**Figure C-4. Demonstration Board Header JP1
(Buzzer On/Off)**

The Demonstration Board provides the user with OP6800 connection points brought out conveniently to labeled points at headers J4, J5, J6, and J8 on the Demonstration Board. Small to medium circuits can be prototyped using point-to-point wiring with 20 to 30 AWG wire on the prototyping area. The holes are spaced at 0.1" (2.5 mm). The pinouts for headers J4, J5, J6, and J8 are shown in Figure C-5.

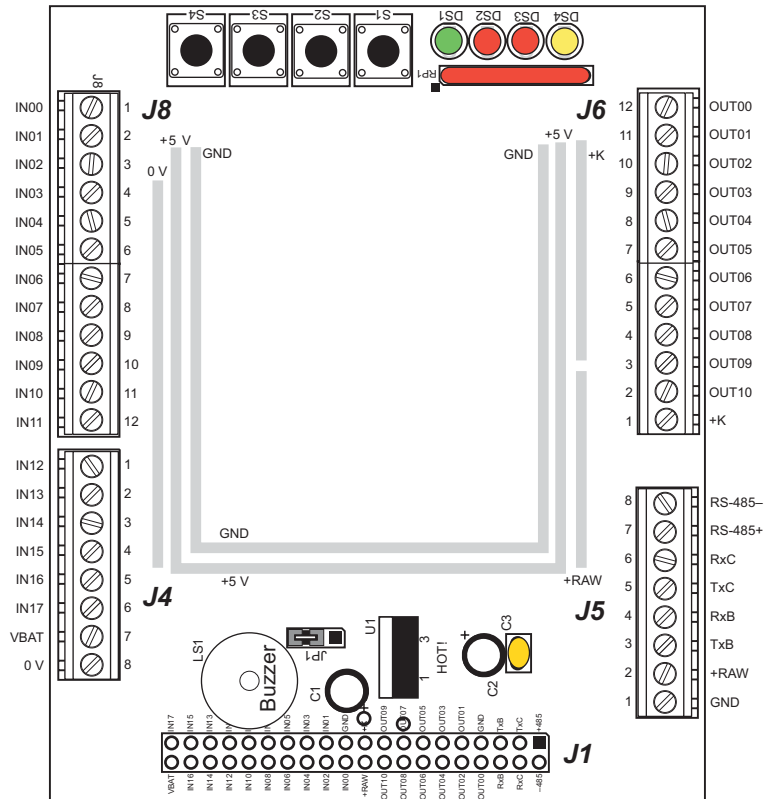


Figure C-5. OP6800 Demonstration Board Pinout

The Demonstration Board can then be rotated and mounted behind the OP6800 as shown in Figure C-6 to allow the Demonstration Board and the OP6800 to be used together.

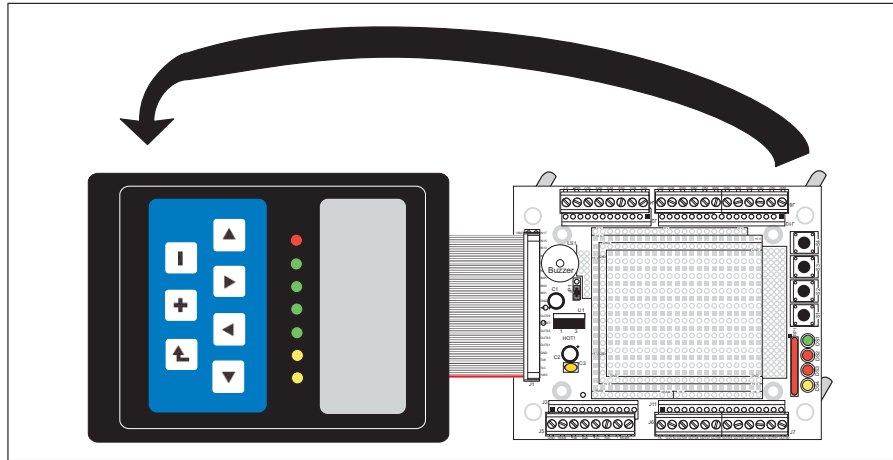


Figure C-6. Mounting Demonstration Board on OP6800

NOTE: Remove the standoffs behind the OP6800 before attempting to mount the Demonstration Board.

The OP6800 may also be panel-mounted with the Demonstration Board attached. Follow the instructions in Chapter 6, “Installation and Mounting Guidelines.” Use 4-40 screws that are 1 3/16" (plus the thickness of the panel) in length. Note that the Demonstration Board and the OP6800 end up on opposite sides of the panel as shown in Figure C-7.

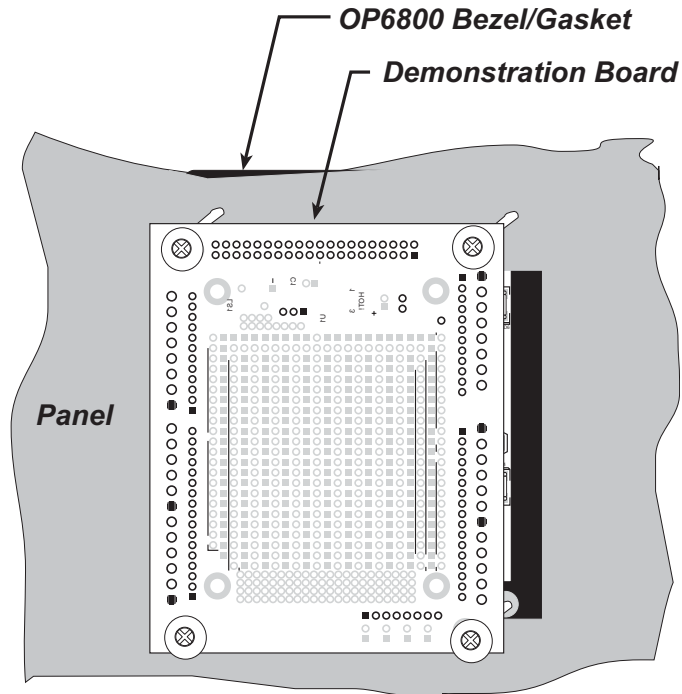


Figure C-7. OP6800 with Demonstration Board Mounted in Panel (rear view)



APPENDIX D. OP6800 FUNCTION CALLS

Appendix D provides the function calls related to the operation of the OP6800 board, I/O, serial channels, display, and keypad.

D.1 Board Initialization (OP68xx.LIB)

```
void brdInit (void);
```

Call this function at the beginning of your program. This function initializes the system I/O ports. This function also turns off LED DS1 to indicate that the initialization was successful.

The ports are initialized according to Table A-4.

SEE ALSO

`digIn`, `digOut`, `serMode`, `ledOut`

D.2 Digital I/O (OP68xx.LIB)

```
int digIn(int channel);
```

Reads the state of an input channel.

A runtime error will occur if **brdInit** was not executed before executing **digIn**, or when **channel** is out of range.

PARAMETER

channel is the input channel number (0–12), where IN00–IN12 are the normal user digital inputs.

RETURN VALUE

The state of the input (0 or 1).

SEE ALSO

brdInit, **digOut**, **ledOut**

```
void digOut(int channel, int value);
```

Sets the state of a digital output (OUT00–OUT10).

Remember to call the **brdInit** function before executing this function.

A runtime error will occur if **brdInit** was not executed before executing **digOut**, or when **channel** or **value** is out of range.

NOTE: The LEDs and digital outputs OUT00–OUT06 are driven by the same driver chip. Do not use both **ledOut** and **digOut** to control the same LED or digital output in a given application.

PARAMETERS

channel is the output channel number (0–10).

value is the output value (0 or 1).

SEE ALSO

brdInit, **digIn**, **ledOut**

D.3 Serial Communication (OP68xx.LIB)

Library files included with Dynamic C provide a full range of serial communications support. The **RS232.LIB** library provides a set of circular-buffer-based serial functions. The **PACKET.LIB** library provides packet-based serial functions where packets can be delimited by the 9th bit, by transmission gaps, or with user-defined special characters. Both libraries provide blocking functions, which do not return until they are finished transmitting or receiving, and nonblocking functions, which must be called repeatedly until they are finished. For more information, see the *Dynamic C User's Manual* and Technical Note TN213, *Rabbit 2000 Serial Port Software*.

Use the following function calls with the OP6800.

```
int serMode(int mode);
```

User interface to set up OP6800 serial communication lines. Call this function after **serXOpen()**.

Whether you are opening one or multiple serial ports, this function must be executed after executing the last **serXOpen** function AND before you start using any of the serial ports. This function is non-reentrant.

If Mode 1 is selected, CTS/RTS flow control is exercised using the **serCflowcontrolOn** and **serCflowcontrolOff** functions from the **RS232.LIB** library.

PARAMETER

mode is the defined serial port configuration

Mode	Serial Port		
	B	C	D
0	RS-232, 3-wire	RS-232, 3-wire	RS-485
1	RS-232, 5-wire	CTS/RTS	RS-485

RETURN VALUE

0 if valid mode, 1 if not.

SEE ALSO

ser485Tx, **ser485Rx**

NOTE: Be sure to call **serMode** before either of the next two functions.

```
void ser485Tx(void);
```

Sets pin 3 (DE) high to enable the RS-485 transmitter. Remember to call **serMode** before calling **ser485Tx**.

SEE ALSO

serMode, **ser485Rx**

```
void ser485Rx(void);
```

Resets pin 3 (DE) low to disable the RS-485 transmitter. Remember to call **serMode** before calling **ser485Rx**.

SEE ALSO

serMode, ser485Tx, serCflowcontrolOn, serCflowcontrolOff

D.4 LEDs (OP68xx.LIB)

When power is applied to the OP6800 for the first time, the red LED (DS1) will come on, indicating that power is being applied to the OP6800. The red LED is turned off when the `brdInit` function executes.

The LEDs are in series with the open-output collector that drives digital outputs OUT00–OUT06, and so the same function call that turns on one of these digital outputs will also turn on the corresponding LED.

```
void ledOut(int led, int value);
```

LED on/off control.

A runtime error will occur if `brdInit` was not executed before executing `ledOut`, or when `led` or `value` is out of range.

NOTE: The LEDs and digital outputs OUT00–OUT06 are driven by the same driver chip. Do not use both `ledOut` and `digOut` to control the same LED or digital output in a given application.

PARAMETERS

`led` is the LED to control.

0 = LED DS1
1 = LED DS2
2 = LED DS3
3 = LED DS4
4 = LED DS5
5 = LED DS6
6 = LED DS7

`value` is the value used to control whether the LED is on or off (0 or 1).

0 = off
1 = on

RETURN VALUE

None.

SEE ALSO

`brdInit`, `digOut`

D.5 LCD Display

The functions used to control the LCD display are contained in the **GRAPHIC.LIB** library located in the Dynamic C **LIB\DISPLAYS\GRAPHIC** library directory. When x and y coordinates on the display screen are specified, x can range from 0 to 121, and y can range from 0 to 31. These numbers represent pixels from the top left corner of the display.

```
void glInit(void);
```

Initializes the display devices, clears the screen.

RETURN VALUE

None.

SEE ALSO

`glDispOnOFF`, `glBacklight`, `glSetContrast`, `glPlotDot`, `glBlock`, `glPlotDot`,
`glPlotPolygon`, `glPlotCircle`, `glHScroll`, `glVScroll`, `glXFontInit`, `glPrintf`,
`glPutChar`, `glSetBrushType`, `glBuffLock`, `glBuffUnlock`, `glPlotLine`

```
void glBackLight(int onOff);
```

Turns the display backlight on or off.

PARAMETER

`onOff` turns the backlight on or off

1—turn the backlight on

0—turn the backlight off

RETURN VALUE

None.

SEE ALSO

`glInit`, `glDispOnoff`, `glSetContrast`

```
void glDispOnOff(int onOff);
```

Sets the LCD screen on or off. Data will not be cleared from the screen.

PARAMETER

`onOff` turns the LCD screen on or off

1—turn the LCD screen on

0—turn the LCD screen off

RETURN VALUE

None.

SEE ALSO

`glInit`, `glSetContrast`, `glBackLight`

```
void glSetContrast(unsigned level);
```

Sets display contrast.

NOTE: This function is not used with the OP6800 since the support circuits are not available on the LCD/keypad module used with the OP6800.

```
void glFillScreen(int pattern);
```

Fills the LCD display screen with a pattern.

PARAMETER

The screen will be set to all black if **pattern** is 0xFF, all white if **pattern** is 0x00, and vertical stripes for any other pattern.

RETURN VALUE

None.

SEE ALSO

`glBlock`, `glBlankScreen`, `glPlotPolygon`, `glPlotCircle`

```
void glBlankScreen(void);
```

Blanks the LCD display screen (sets LCD display screen to the background color).

RETURN VALUE

None.

SEE ALSO

`glFillScreen`, `glBlock`, `glPlotPolygon`, `glPlotCircle`

```
void glFillRegion(int left, int top, int width,  
int height, char pattern);
```

Fills a rectangular block in the LCD buffer with the pattern specified. Any portion of the block that is outside the LCD display area will be clipped.

PARAMETERS

left is the *x* coordinate of the top left corner of the block.

top is the *y* coordinate of the top left corner of the block.

width is the width of the block.

height is the height of the block.

pattern is the bit pattern to display (all black if **pattern** is 0xFF, all white if **pattern** is 0x00, and vertical stripes for any other pattern).

RETURN VALUE

None.

SEE ALSO

`glFillScreen`, `glBlankScreen`, `glBlock`, `glBlankRegion`

```
void glFastFillRegion(int left, int top, int width,  
int height, char pattern);
```

Fills a rectangular block in the LCD buffer with the pattern specified. The block left and width parameters must be byte-aligned. Any portion of the block that is outside the LCD display area will be clipped.

PARAMETERS

left is the x coordinate of the top left corner of the block.

top is the y coordinate of the top left corner of the block.

width is the width of the block.

height is the height of the block.

pattern is the bit pattern to display (all black if **pattern** is 0xFF, all white if **pattern** is 0x00, and vertical stripes for any other pattern).

RETURN VALUE

None.

SEE ALSO

`glFillScreen`, `glBlankScreen`, `glBlock`, `glBlankRegion`

```
void glBlankRegion(int left, int top, int width,  
int height);
```

Clears a region on the LCD display. The block left and width parameters must be byte-aligned. Any portion of the block that is outside the LCD display area will be clipped.

PARAMETERS

left is the x coordinate of the top left corner of the block (*x* must be evenly divisible by 8).

top is the y coordinate of the top left corner of the block.

width is the width of the block (must be evenly divisible by 8).

height is the height of the block.

RETURN VALUE

None.

SEE ALSO

`glFillScreen`, `glBlankScreen`, `glBlock`

```
void glBlock(int left, int top, int width,  
             int height);
```

Draws a rectangular block in the page buffer and on the LCD if the buffer is unlocked. Any portion of the block that is outside the LCD display area will be clipped.

PARAMETERS

left is the x coordinate of the top left corner of the block.

top is the y coordinate of the top left corner of the block.

width is the width of the block.

height is the height of the block.

RETURN VALUE

None.

SEE ALSO

`glFillScreen`, `glBlankScreen`, `glPlotPolygon`, `glPlotCircle`

```
void glPlotVPolygon(int n, int *pFirstCoord);
```

Plots the outline of a polygon in the LCD page buffer, and on the LCD if the buffer is unlocked. Any portion of the polygon that is outside the LCD display area will be clipped. If fewer than 3 vertices are specified, the function will return without doing anything.

PARAMETERS

n is the number of vertices.

pFirstCoord is a pointer to array of vertex coordinates: **x1,y1, x2,y2, x3,y3, ...**

RETURN VALUE

None.

SEE ALSO

`glPlotPolygon`, `glFillPolygon`, `glFillVPolygon`

```
void glPlotPolygon(int n, int y1, int x1, int y2,  
int x2, ...);
```

Plots the outline of a polygon in the LCD page buffer and on the LCD if the buffer is unlocked. Any portion of the polygon that is outside the LCD display area will be clipped. If fewer than 3 vertices are specified, the function will return without doing anything.

PARAMETERS

n is the number of vertices.

y1 is the y coordinate of the first vertex.

x1 is the x coordinate of the first vertex.

y2 is the y coordinate of the second vertex.

x2 is the x coordinate of the second vertex.

... are the coordinates of additional vertices.

RETURN VALUE

None.

SEE ALSO

`glPlotVPolygon`, `glFillPolygon`, `glFillVPolygon`

```
void glFillVPolygon(int n, int *pFirstCoord);
```

Fills a polygon in the LCD page buffer and on the LCD screen if the buffer is unlocked. Any portion of the polygon that is outside the LCD display area will be clipped. If fewer than 3 vertices are specified, the function will return without doing anything.

PARAMETERS

n is the number of vertices.

pFirstCoord is a pointer to array of vertex coordinates: **x1,y1, x2,y2, x3,y3, ...**

RETURN VALUE

None.

SEE ALSO

`glFillPolygon`, `glPlotPolygon`, `glPlotVPolygon`

```
void glFillPolygon(int n, int x1, int y1, int x2,  
int y2, ...);
```

Fills a polygon in the LCD page buffer and on the LCD if the buffer is unlocked. Any portion of the polygon that is outside the LCD display area will be clipped. If fewer than 3 vertices are specified, the function will return without doing anything.

PARAMETERS

n is the number of vertices.
x1 is the x coordinate of the first vertex.
y1 is the y coordinate of the first vertex.
x2 is the x coordinate of the second vertex.
y2 is the y coordinate of the second vertex.
... are the coordinates of additional vertices.

RETURN VALUE

None.

SEE ALSO

`glFillVPolygon`, `glPlotPolygon`, `glPlotVPolygon`

```
void glPlotCircle(int xc, int yc, int rad);
```

Draws the outline of a circle in the LCD page buffer and on the LCD if the buffer is unlocked. Any portion of the circle that is outside the LCD display area will be clipped.

PARAMETERS

xc is the x coordinate of the center of the circle.
yc is the y coordinate of the center of the circle.
rad is the radius of the center of the circle (in pixels).

RETURN VALUE

None.

SEE ALSO

`glFillCircle`, `glPlotPolygon`, `glFillPolygon`

```
void glFillCircle(int xc, int yc, int rad);
```

Draws a filled circle in the LCD page buffer and on the LCD if the buffer is unlocked. Any portion of the circle that is outside the LCD display area will be clipped.

PARAMETERS

xc is the x coordinate of the center of the circle.
yc is the y coordinate of the center of the circle.
rad is the radius of the center of the circle (in pixels).

RETURN VALUE

None.

SEE ALSO

`glPlotCircle`, `glPlotPolygon`, `glFillPolygon`

```
void glXFontInit(fontInfo *pInfo, char pixWidth,
char pixHeight, unsigned startChar,
unsigned endChar, unsigned long xmemBuffer);
```

Initializes the font descriptor structure, where the font is stored in **xmem**. Each font character's bitmap is column major and byte-aligned.

PARAMETERS

pInfo is a pointer to the font descriptor to be initialized.

pixWidth is the width (in pixels) of each font item.

pixHeight is the height (in pixels) of each font item.

startChar is the value of the first printable character in the font character set.

endChar is the value of the last printable character in the font character set.

xmemBuffer is the **xmem** pointer to a linear array of font bitmaps.

RETURN VALUE

None.

SEE ALSO

`glPrintf`

```
unsigned long glFontCharAddr(fontInfo *pInfo,
char letter);
```

Returns the **xmem** address of the character from the specified font set.

PARAMETERS

***pInfo** is the **xmem** address of the bitmap font set.

letter is an ASCII character.

RETURN VALUE

xmem address of bitmap character font, column major and byte-aligned.

SEE ALSO

`glPutFont`, `glPrintf`

```
void glPutFont(int x, int y, fontInfo *pInfo,  
char code);
```

Puts an entry from the font table to the page buffer and on the LCD if the buffer is unlocked. Each font character's bitmap is column major and byte-aligned. Any portion of the bitmap character that is outside the LCD display area will be clipped.

PARAMETERS

x is the *x* coordinate (column) of the top left corner of the text.

y is the *y* coordinate (row) of the top left corner of the text.

pInfo is a pointer to the font descriptor.

code is the ASCII character to display.

RETURN VALUE

None.

SEE ALSO

`glFontCharAddr`, `glPrintf`

```
void glSetPfStep(int stepX, int stepY);
```

Sets the `glPrintf()` printing step direction. The *x* and *y* step directions are independent signed values. The actual step increments depend on the height and width of the font being displayed, which are multiplied by the step values.

PARAMETERS

stepX is the `glPrintf` *x* step value

stepY is the `glPrintf` *y* step value

RETURN VALUE

None.

SEE ALSO

Use `glGetPfStep()` to examine the current *x* and *y* printing step direction.

```
int glGetPfStep(void);
```

Gets the current `glPrintf()` printing step direction. Each step direction is independent of the other, and is treated as an 8-bit signed value. The actual step increments depends on the height and width of the font being displayed, which are multiplied by the step values.

RETURN VALUE

The *x* step is returned in the MSB, and the *y* step is returned in the LSB of the integer result.

SEE ALSO

Use `glGetPfStep()` to control the *x* and *y* printing step direction.


```
void glPutChar(char ch, char *ptr, int *cnt,
               glPutCharInst *pInst)
```

Provides an interface between the **STDIO** string-handling functions and the graphic library. The **STDIO** string-formatting function will call this function, one character at a time, until the entire formatted string has been parsed. Any portion of the bitmap character that is outside the LCD display area will be clipped.

PARAMETERS

ch is the character to be displayed on the LCD.

***ptr** is not used, but is a place holder for **STDIO** string functions.

***cnt** is not used, is a place holder for **STDIO** string functions.

pInst is a pointer to the font descriptor.

RETURN VALUE

None.

SEE ALSO

`glPrintf`, `glPutFont`, `doprnt`

```
void glPrintf(int x, int y, fontInfo *pInfo,
              char *fmt, ...);
```

Prints a formatted string (much like `printf`) on the LCD screen. Only the character codes that exist in the font set are printed, all others are skipped. For example, `'\b'`, `'\t'`, `'\n'` and `'\r'` (ASCII backspace, tab, new line, and carriage return, respectively) will be printed if they exist in the font set, but will not have any effect as control characters. Any portion of the bitmap character that is outside the LCD display area will be clipped.

PARAMETERS

x is the *x* coordinate (column) of the upper left corner of the text.

y is the *y* coordinate (row) of the upper left corner of the text.

pInfo is a pointer to the font descriptor.

***fmt** is a formatted string.

... are formatted string conversion parameter(s).

EXAMPLE

```
glprintf(0,0, &fi12x16, "Test %d\n", count);
```

RETURN VALUE

None.

SEE ALSO

`glXFontInit`

void glBuffLock(void);

Increments LCD screen locking counter. Graphic calls are recorded in the LCD memory buffer and are not transferred to the LCD if the counter is non-zero.

NOTE: `glBuffLock()` and `glBuffUnlock()` can be nested up to a level of 255, but be sure to balance the calls. It is not a requirement to use these procedures, but a set of `glBuffLock()` and `glBuffUnlock()` bracketing a set of related graphic calls speeds up the rendering significantly.

RETURN VALUE

None.

SEE ALSO

`glBuffUnlock`, `glSwap`

void glBuffUnlock(void);

Decrements the LCD screen locking counter. The contents of the LCD buffer are transferred to the LCD if the counter goes to zero.

RETURN VALUE

None.

SEE ALSO

`glBuffLock`, `glSwap`

void glSwap(void);

Checks the LCD screen locking counter. The contents of the LCD buffer are transferred to the LCD if the counter is zero.

RETURN VALUE

None.

SEE ALSO

`glBuffUnlock`, `glBuffLock`, `_glSwapData` (located in the library specifically for the LCD that you are using)

void glSetBrushType(int type);

Sets the drawing method (or color) of pixels drawn by subsequent graphic calls.

PARAMETER

`type` value can be one of the following macros.

PIXBLACK draws black pixels (turns pixel on).

PIXWHITE draws white pixels (turns pixel off).

PIXXOR draws old pixel XOR'ed with the new pixel.

RETURN VALUE

None.

SEE ALSO

`glGetBrushType`

```
int glGetBrushType(void);
```

Gets the current method (or color) of pixels drawn by subsequent graphic calls.

RETURN VALUE

The current brush type.

SEE ALSO

`glSetBrushType`

```
void glXGetBitmap(int x, int y, int bmWidth,  
int bmHeight, unsigned long xBm);
```

Gets a bitmap from the LCD page buffer and stores it in **xmem** RAM. This function automatically calls **glXGetFastmap** if the left edge of the bitmap is byte-aligned and the left edge and width are each evenly divisible by 8. Any portion of a bitmap image or character that is outside the LCD display area will be clipped.

This function call is intended for use only when a graphic engine is used to interface with the LCD/keypad module.

PARAMETERS

x is the *x* coordinate in pixels of the top left corner of the bitmap (*x* must be evenly divisible by 8).

y is the *y* coordinate in pixels of the top left corner of the bitmap.

bmWidth is the width in pixels of the bitmap (must be evenly divisible by 8).

bmHeight is the height in pixels of the bitmap.

xBm is the **xmem** RAM storage address of the bitmap.

RETURN VALUE

None.

```
void glXGetFastmap(int left, int top, int width,  
int height, unsigned long xmemptr);
```

Draws bitmap in the specified space. The data for the bitmap are stored in **xmem**. This function is similar to **glXPutBitmap**, except that it's faster. The bitmap must be byte-aligned. Any portion of a bitmap image or character that is outside the LCD display area will be clipped.

This function call is intended for use only when a graphic engine is used to interface with the LCD/keypad module.

PARAMETERS

left is the *x* coordinate of the top left corner of the bitmap (*x* must be evenly divisible by 8).

top is the *y* coordinate in pixels of the top left corner of the bitmap.

width is the width of the bitmap (must be evenly divisible by 8).

height is the height of the bitmap.

xmemptr is the **xmem** RAM storage address of the bitmap.

RETURN VALUE

None.

SEE ALSO

`glXPutBitmap`, `glPrintf`

```
void glPlotDot(int x, int y);
```

Draws a single pixel in the LCD buffer, and on the LCD if the buffer is unlocked. If the coordinates are outside the LCD display area, the dot will not be plotted.

PARAMETERS

x is the x coordinate of the dot.

y is the y coordinate of the dot.

RETURN VALUE

None.

SEE ALSO

`glPlotline`, `glPlotPolygon`, `glPlotCircle`

```
void glPlotLine(int x0, int y0, int x1, int y1);
```

Draws a line in the LCD buffer, and on the LCD if the buffer is unlocked. Any portion of the line that is beyond the LCD display area will be clipped.

PARAMETERS

x0 is the x coordinate of one endpoint of the line.

y0 is the y coordinate of one endpoint of the line.

x1 is the x coordinate of the other endpoint of the line.

y1 is the y coordinate of the other endpoint of the line.

RETURN VALUE

None.

SEE ALSO

`glPlotDot`, `glPlotPolygon`, `glPlotCircle`

```
void glLeft1(int left, int top, int cols, int rows);
```

Scrolls byte-aligned window left one pixel, right column is filled by current pixel type (color).

PARAMETERS

left is the top left corner of bitmap, must be evenly divisible by 8, otherwise truncates.

top is the top left corner of the bitmap.

cols is the number of columns in the window, must be evenly divisible by 8, otherwise truncates.

rows is the number of rows in the window.

RETURN VALUE

None.

SEE ALSO

`glHScroll1`, `glRight1`

```
void glRight1(int left, int top, int cols, int rows);
```

Scrolls byte-aligned window right one pixel, left column is filled by current pixel type (color).

PARAMETERS

left is the top left corner of bitmap, must be evenly divisible by 8, otherwise truncates.

top is the top left corner of the bitmap.

cols is the number of columns in the window, must be evenly divisible by 8, otherwise truncates.

rows is the number of rows in the window.

RETURN VALUE

None.

SEE ALSO

`glHScroll`, `glLeft1`

```
void glUp1(int left, int top, int cols, int rows);
```

Scrolls byte-aligned window up one pixel, bottom column is filled by current pixel type (color).

PARAMETERS

left is the top left corner of bitmap, must be evenly divisible by 8, otherwise truncates.

top is the top left corner of the bitmap.

cols is the number of columns in the window, must be evenly divisible by 8, otherwise truncates.

rows is the number of rows in the window.

RETURN VALUE

None.

SEE ALSO

`glVScroll`, `glDown1`

```
void glDown1(int left, int top, int cols, int rows);
```

Scrolls byte-aligned window down one pixel, top column is filled by current pixel type (color).

PARAMETERS

left is the top left corner of bitmap, must be evenly divisible by 8, otherwise truncates.

top is the top left corner of the bitmap.

cols is the number of columns in the window, must be evenly divisible by 8, otherwise truncates.

rows is the number of rows in the window.

RETURN VALUE

None.

SEE ALSO

`glVScroll`, `glUp1`

```
void glHScroll(int left, int top, int cols,  
int rows, int nPix);
```

Scrolls right or left, within the defined window by x number of pixels. The opposite edge of the scrolled window will be filled in with white pixels. The window must be byte-aligned.

Parameters will be verified for the following:

1. The **left** and **cols** parameters will be verified that they are evenly divisible by 8. If not, they will be truncated to a value that is a multiple of 8.
2. Parameters will be checked to verify that the scrolling area is valid. The minimum scrolling area is a width of 8 pixels and a height of one row.

PARAMETERS

left is the top left corner of bitmap, must be evenly divisible by 8.

top is the top left corner of the bitmap.

cols is the number of columns in the window, must be evenly divisible by 8.

rows is the number of rows in the window.

nPix is the number of pixels to scroll within the defined window (a negative value will produce a scroll to the left).

RETURN VALUE

None.

SEE ALSO

`glVScroll`

```
void glVScroll(int left, int top, int cols,
               int rows, int nPix);
```

Scrolls up or down, within the defined window by x number of pixels. The opposite edge of the scrolled window will be filled in with white pixels. The window must be byte-aligned.

Parameters will be verified for the following:

1. The **left** and **cols** parameters will be verified that they are evenly divisible by 8. If not, they will be truncated to a value that is a multiple of 8.
2. Parameters will be checked to verify that the scrolling area is valid. The minimum scrolling area is a width of 8 pixels and a height of one row.

PARAMETERS

left is the top left corner of bitmap, must be evenly divisible by 8.

top is the top left corner of the bitmap.

cols is the number of columns in the window, must be evenly divisible by 8.

rows is the number of rows in the window.

nPix is the number of pixels to scroll within the defined window (a negative value will produce a scroll up).

RETURN VALUE

None.

SEE ALSO

`glHScroll`

```
void glXPutBitmap(int left, int top, int width,
                  int height, unsigned long bitmap);
```

Draws bitmap in the specified space. The data for the bitmap are stored in **xmem**. This function calls `glXPutFastmap` automatically if the bitmap is byte-aligned (the left edge and the width are each evenly divisible by 8).

Any portion of a bitmap image or character that is outside the LCD display area will be clipped.

PARAMETERS

left is the top left corner of the bitmap.

top is the top left corner of the bitmap.

width is the width of the bitmap.

height is the height of the bitmap.

bitmap is the address of the bitmap in **xmem**.

RETURN VALUE

None.

SEE ALSO

`glXPutFastmap`, `glPrintf`

```
void glXPutFastmap(int left, int top, int width,
                  int height, unsigned long bitmap);
```

Draws bitmap in the specified space. The data for the bitmap are stored in **xmem**. This function is like **glXPutBitmap**, except that it is faster. The restriction is that the bitmap must be byte-aligned.

Any portion of a bitmap image or character that is outside the LCD display area will be clipped.

PARAMETERS

left is the top left corner of the bitmap, must be evenly divisible by 8, otherwise truncates.

top is the top left corner of the bitmap.

width is the width of the bitmap, must be evenly divisible by 8, otherwise truncates.

height is the height of the bitmap.

bitmap is the address of the bitmap in **xmem**.

RETURN VALUE

None.

SEE ALSO

glXPutBitmap, **glPrintf**

```
int TextWindowFrame(windowFrame *window,
                   fontInfo *pFont, int x, int y, int winWidth,
                   int winHeight)
```

Defines a text-only display window. This function provides a way to display characters within the text window using only character row and column coordinates. The text window feature provides end-of-line wrapping and clipping after the character in the last column and row is displayed.

NOTE: Execute the **TextWindowFrame** function before other **Text...** functions.

PARAMETERS

window is a pointer to the window frame descriptor.

pFont is a pointer to the font descriptor.

x is the x coordinate of the top left corner of the text window frame.

y is the y coordinate of the top left corner of the text window frame.

winWidth is the width of the text window frame.

winHeight is the height of the text window frame.

RETURN VALUE

0—window frame was successfully created.

-1—x coordinate + width has exceeded the display boundary.

-2—y coordinate + height has exceeded the display boundary.

-3—Invalid winHeight and/or winWidth parameter value.


```
void TextBorderInit(windowFrame *wPtr, int border,
char *title);
```

This function initializes the window frame structure with the border and title information.

NOTE: Execute the `TextWindowFrame` function before using this function.

PARAMETERS

`wPtr` is a pointer to the window frame descriptor.

`border` is the border style:

SINGLE_LINE—The function will draw a single-line border around the text window.

DOUBLE_LINE—The function will draw a double-line border around the text window.

`title` is a pointer to the title information:

If a **NULL** string is detected, then no title is written to the text menu.

If a string is detected, then it will be written center-aligned to the top of the text menu box.

RETURN VALUE

None.

SEE ALSO

`TextBorder`, `TextGotoXY`, `TextPutChar`, `TextWindowFrame`, `TextCursorLocation`

```
void TextBorder(windowFrame *wPtr);
```

This function displays the border for a given window frame. This function will automatically adjust the text window parameters to accommodate the space taken by the text border. This adjustment will only occur once after the `TextBorderInit` function executes.

NOTE: Execute the `TextWindowFrame` function before using this function.

PARAMETERS

`wPtr` is a pointer to the window frame descriptor.

RETURN VALUE

None.

SEE ALSO

`TextBorderInit`, `TextGotoXY`, `TextPutChar`, `TextWindowFrame`,
`TextCursorLocation`

```
void TextGotoXY(windowFrame *window, int col,
int row);
```

Sets the cursor location to display the next character. The display location is based on the height and width of the character to be displayed.

NOTE: Execute the `TextWindowFrame` function before using this function.

PARAMETERS

`window` is a pointer to a font descriptor.

`col` is a character column location.

`row` is a character row location.

RETURN VALUE

None.

SEE ALSO

`TextPutChar`, `TextPrintf`, `TextWindowFrame`

```
void TextCursorLocation(windowFrame *window,
int *col, int *row);
```

Gets the current cursor location that was set by a Graphic `Text...` function.

NOTE: Execute the `TextWindowFrame` function before using this function.

PARAMETERS

`window` is a pointer to a font descriptor.

`col` is a pointer to cursor column variable.

`row` is a pointer to cursor row variable.

RETURN VALUE

Lower word = Cursor Row location

Upper word = Cursor Column location

SEE ALSO

`TextGotoXY`, `TextPrintf`, `TextWindowFrame`, `TextCursorLocation`

```
void TextPutChar(struct windowFrame *window, char ch);
```

Displays a character on the display where the cursor is currently pointing. Once a character is displayed, the cursor will be incremented to the next character position. If any portion of a bitmap character is outside the LCD display area, the character will not be displayed.

NOTE: Execute the `TextWindowFrame` function before using this function.

PARAMETERS

`*window` is a pointer to a font descriptor.

`ch` is a character to be displayed on the LCD.

RETURN VALUE

None.

SEE ALSO

`TextGotoXY`, `TextPrintf`, `TextWindowFrame`, `TextCursorLocation`

```
void TextPrintf(struct windowFrame *window,  
char *fmt, ...);
```

Prints a formatted string (much like `printf`) on the LCD screen. Only printable characters in the font set are printed; escape sequences `\r` and `\n` are also recognized. All other escape sequences will be skipped over; for example, `\b` and `\t` will cause nothing to be displayed.

The text window feature provides end-of-line wrapping and clipping after the character in the last column and row is displayed. The cursor then remains at the end of the string.

NOTE: Execute the `TextWindowFrame` function before using this function.

PARAMETERS

`window` is a pointer to a font descriptor.

`*fmt` is a formatted string.

`...` are formatted string conversion parameter(s).

EXAMPLE

```
TextPrintf(&TextWindow, "Test %d\n", count);
```

RETURN VALUE

None.

SEE ALSO

`TextGotoXY`, `TextPutChar`, `TextWindowFrame`, `TextCursorLocation`

```
int TextMaxChars(windowFrame *wPtr);
```

This function returns the maximum number of characters that can be displayed within the text window.

NOTE: Execute the `TextWindowFrame` function before using this function.

PARAMETERS

`wPtr` is a pointer to the window frame descriptor.

RETURN VALUE

The maximum number of characters that can be displayed within the text window.

SEE ALSO

`TextGotoXY`, `TextPrintf`, `TextWindowFrame`, `TextCursorPosition`

```
void TextWinClear(windowFrame *wPtr);
```

This function clears the entire area within the specified text window.

NOTE: Execute the `TextWindowFrame` function before using this function.

PARAMETERS

`wPtr` is a pointer to the window frame descriptor.

RETURN VALUE

None.

SEE ALSO

`TextGotoXY`, `TextPrintf`, `TextWindowFrame`, `TextCursorPosition`

D.5.1 Keypad

The functions used to control the keypad are in the **KEYPAD7.LIB** library located in the Dynamic C **LIB\KEYPADS** library folder.

```
void keyInit(void);
```

Initializes keypad process

RETURN VALUE

None.

SEE ALSO

`brdInit`

```
void keyConfig(char cRaw, char cPress,  
char cRelease, char cCntHold, char cSpdLo,  
char cCntLo, char cSpdHi);
```

Assigns each key with key press and release codes, and hold and repeat ticks for auto repeat and debouncing.

PARAMETERS

cRaw is a raw key code index.

1 × 7 keypad matrix with raw key code index assignments (in brackets):

[0]	[1]	[2]	[3]
[4]	[5]	[6]	

User Keypad Interface

cPress is a key press code

An 8-bit value is returned when a key is pressed.

0 = Unused.

See `keypadDef()` for default press codes.

cRelease is a key release code.

An 8-bit value is returned when a key is pressed.

0 = Unused.

cCntHold is a hold tick, which is approximately one debounce period or 5 μ s.

How long to hold before repeating.

0 = No Repeat.

cSpdLo is a low-speed repeat tick, which is approximately one debounce period or 5 μ s.

How many times to repeat.

0 = None.

cCntLo is a low-speed hold tick, which is approximately one debounce period or 5 μ s.

How long to hold before going to high-speed repeat.

0 = Slow Only.

`cSpdHi` is a high-speed repeat tick, which is approximately one debounce period or 5 μ s.

How many times to repeat after low speed repeat.

0 = None.

RETURN VALUE

None.

SEE ALSO

`keyProcess`, `keyGet`, `keypadDef`

```
void keyProcess(void);
```

Scans and processes keypad data for key assignment, debouncing, press and release, and repeat.

NOTE: This function is also able to process an 8×8 matrix keypad.

RETURN VALUE

None

SEE ALSO

`keyConfig`, `keyGet`, `keypadDef`

```
char keyGet(void);
```

Get next keypress.

RETURN VALUE

The next keypress, or 0 if none

SEE ALSO

`keyConfig`, `keyProcess`, `keypadDef`

```
int keyUnget(char cKey);
```

Pushes the value of `cKey` to the top of the input queue, which is 16 bytes deep.

PARAMETER

`cKey`

RETURN VALUE

None.

SEE ALSO

`keyGet`

`void keypadDef () ;`

Configures the physical layout of the keypad with the desired ASCII return key codes.

Keypad physical mapping 1 × 7

0	4	1	5	2	6	3
['L']		['U']		['D']		['R']
	['-']		['+']		['E']	

where

- 'L' represents Left Scroll
- 'U' represents Up Scroll
- 'D' represents Down Scroll
- 'R' represents Right Scroll
- '-' represents Page Down
- '+' represents Page Up
- 'E' represents the ENTER key

Example: Do the following for the above physical vs. ASCII return key codes.

```
keyConfig ( 3, 'R', 0, 0, 0, 0, 0 );  
keyConfig ( 6, 'E', 0, 0, 0, 0, 0 );  
keyConfig ( 2, 'D', 0, 0, 0, 0, 0 );  
keyConfig ( 4, '-', 0, 0, 0, 0, 0 );  
keyConfig ( 1, 'U', 0, 0, 0, 0, 0 );  
keyConfig ( 5, '+', 0, 0, 0, 0, 0 );  
keyConfig ( 0, 'L', 0, 0, 0, 0, 0 );
```

Characters are returned upon keypress with no repeat.

RETURN VALUE

None.

SEE ALSO

`keyConfig`, `keyGet`, `keyProcess`

`void keyScan(char *pcKeys);`

Writes "1" to each row and reads the value. The position of a keypress is indicated by a zero value in a bit position.

PARAMETER

`pcKeys` is a pointer to the address of the value read.

RETURN VALUE

None.

SEE ALSO

`keyConfig`, `keyGet`, `keypadDef`, `keyProcess`

INDEX

- B**
 - battery connections 60
 - board initialization
 - function calls 72
 - brdInit 72
 - buzzer 67
- C**
 - CE compliance 4
 - design guidelines 5
 - chip select circuit 62
 - clock doubler 24
 - connections
 - Ethernet cable 37
 - programming cable 11
 - contrast 10
- D**
 - Demonstration Board
 - mounting and installation .. 69
 - pinout 68
 - prototyping area 68
 - wire assembly 2
 - demonstration program 10
 - digital I/O
 - function calls
 - digIn 73
 - digOut 73
 - SMODE0 21
 - SMODE1 21
 - digital inputs 17
 - remote keypad operation ... 17
 - switching threshold 17
 - digital outputs 18
 - dimensions
 - Demonstration Board 64
 - LCD/keypad template 27
 - OP6800 50
 - Dynamic C 3, 30
 - add-on modules 3, 31
 - changing programming baud rate in BIOS 12
 - debugging features 30
 - installation 12
 - Rabbit Embedded Security Pack 3
 - standard features 30
 - debugging 30
 - starting 12
 - telephone-based technical support 3, 31
 - upgrades and patches 31
- E**
 - EMI
 - spectrum spreader feature . 25
 - Ethernet cables 37
 - Ethernet connections 37
 - steps 37
 - Ethernet port 22
 - handling EMI and noise 22
 - pinout 22
 - exclusion zone 51
- F**
 - features 1
 - flash memory
 - lifetime write cycles 29
 - using second 256K flash memory 29
 - flash memory bank select 26
 - font and bitmap converter 32
- H**
 - headers
 - JP1 20
- I**
 - I/O address assignments 57
 - installation guidelines 45
 - introduction 1
 - IP addresses
 - how to set 39
 - how to set PC IP address ... 40
- J**
 - jumper configurations 54
 - Demonstration Board buzzer 67
 - JP1 (RS-485 bias and termination resistors) 20, 54
 - jumper locations 54
- K**
 - keypad
 - function calls
 - keyConfig 97
 - keyGet 98
 - keyInit 97
 - keypadDef 99
 - keyProcess 98
 - keyScan 99
 - keyUnget 98
 - keypad template 27
 - removing and inserting label 28
- L**
 - LCD display
 - function calls
 - glBackLight 77
 - glBlankRegion 79
 - glBlankScreen 78
 - glBlock 80
 - glBuffLock 86
 - glBuffUnlock 86
 - glDispOnOff 77
 - glDown1 89
 - glFastFillRegion 79
 - glFillCircle 82
 - glFillPolygon 82
 - glFillRegion 78
 - glFillScreen 78
 - glFillVPolygon 81
 - glFontCharAddr 83
 - glGetBrushType 87
 - glGetPfStep 84

LCD display	
function calls (continued)	
glHScroll	90
glInit	77
glLeft1	88
glPlotCircle	82
glPlotDot	88
glPlotLine	88
glPlotPolygon	81
glPlotVPolygon	80
glPrintf	85
glPutChar	85
glPutFont	84
glRight1	89
glSetBrushType	86
glSetContrast	78
glSetPfStep	84
glSwap	86
glUp1	89
glVScroll	91
glXFontInit	32, 83
glXGetBitmap	87
glXGetFastmap	87
glXPutBitmap	32, 91
glXPutFastmap	92
ledOut	76
TextBorder	93
TextBorderInit	93
TextCursorLocation	94
TextGotoXY	94
TextMaxChars	96
TextPrintf	95
TextPutChar	95
TextWinClear	96
TextWindowFrame	92
LCD/keypad module	
contrast adjustment	10
keypad template	27
removing and inserting keypad label	28

M

memory	26
models	2
OP6800	2
OP6810	2
mounting and installation	
Demonstration Board	69
OP6800	46, 47

O

OP6800	
introduction	1

P

pin 1 locations	50
pinout	
Demonstration Board	68
Ethernet port	22
OP6800 headers	16
power distribution	65
power management	59
power supply	59, 65
backup battery circuit	60
battery backup	60
chip select circuit	62
connections	9
power distribution	65
switching voltage regulator	59
VRAM switch	61
power-up	
demonstration program	10
programming	
flash vs. RAM	29
programming cable	2
programming port	21
programming cable	2
connections	11
PROG connector	23
programming port	21

R

Rabbit 2000	
parallel ports	55
remote keypad operation	17
reset	9
hardware	9
reset generator	61
RS-232	19
RS-485	19
RS-485 network	20
termination and bias resistors	20

S

sample programs	33
BOARD_ID.C	33
Demonstration Board	13
BUZZER.C	33
KEYPAD.C	33
SWITCHES.C	33
digital I/O	
DIGIN.C	34
DIGOUT.C	34
how to set IP address	39
ICOMDEMO.C	10

LCD/keypad module	34
ALPHANUN.C	34
COFTERMA.C	34
DISPPONG.C	34
DKADEMO1.C	34
FUN.C	10, 34
KEYBASIC.C	35
KEYMENU.C	35
LED.C	35
SCROLLING.C	35
TEXT.C	35
LCD/keypad module (with TCP/IP)	
MBOXDEMO.C	42
TCP_RESPOND.C	42
TCPSEND.C	42
OP6800 features	13
PONG.C	13
power-up demonstration	
program	10
serial communication	
MASTER.C	34
PUTS.C	34
RELAYCHR.C	34
SLAVE.C	34
TCP/IP	35, 39
PINGME.C	41
SSI.C	41
TELNET.C	41
serial communication	19
function calls	
flow control	74
serCflowcontrolOff	74
serCflowcontrolOn	74
ser485Rx	75
ser485Tx	74
serMode	74
programming port	21
RS-232 description	19
RS-485 description	19
RS-485 network	20
RS-485 termination and bias resistors	20
serial ports	
Ethernet port	22
setup	7
power supply connections	9
programming cable connections	11
remove RabbitCore module	11

software	3
libraries	36
keypad	36
LCD display	36
OP68xx.LIB	36
PACKET.LIB	74
RS232.LIB	74
TCP/IP	36
USE_2NDFLASH_CODE	29
using second 256K flash	
memory	29
specifications	
Demonstration Board	
dimensions	64
electrical	64
mechanical	64
temperature	64
OP6800	
dimensions	50
electrical	52
exclusion zone	51
mechanical	52
temperature	52
spectrum spreader	25
subsystems	15

T

TCP/IP connections	37
10Base-T Ethernet card	37
additional resources	43
Ethernet hub	37
steps	37
Tool Kit	2
AC adapter	2
DC power supply	2
programming cable	2
User's Manual	2
wire assembly	2

U

USB/serial port converter	11
Dynamic C settings	12



SCHEMATICS

090-0134 OP6800 Schematic

www.rabbit.com/documentation/schemat/090-0134.pdf

090-0120 RCM2200 Schematic

www.rabbit.com/documentation/schemat/090-0120.pdf

090-0119 RCM2300 Schematic

www.rabbit.com/documentation/schemat/090-0119.pdf

090-0140 OP6800 Demonstration Board Schematic

www.rabbit.com/documentation/schemat/090-0140.pdf

090-0128 Programming Cable Schematic

www.rabbit.com/documentation/schemat/090-0128.pdf

You may use the URL information provided above to access the latest schematics directly.

Mouser Electronics

Authorized Distributor

Click to View Pricing, Inventory, Delivery & Lifecycle Information:

[Rabbit Semiconductor:](#)

[101-0500](#) [101-0492](#) [101-0497](#) [20-101-0492](#)